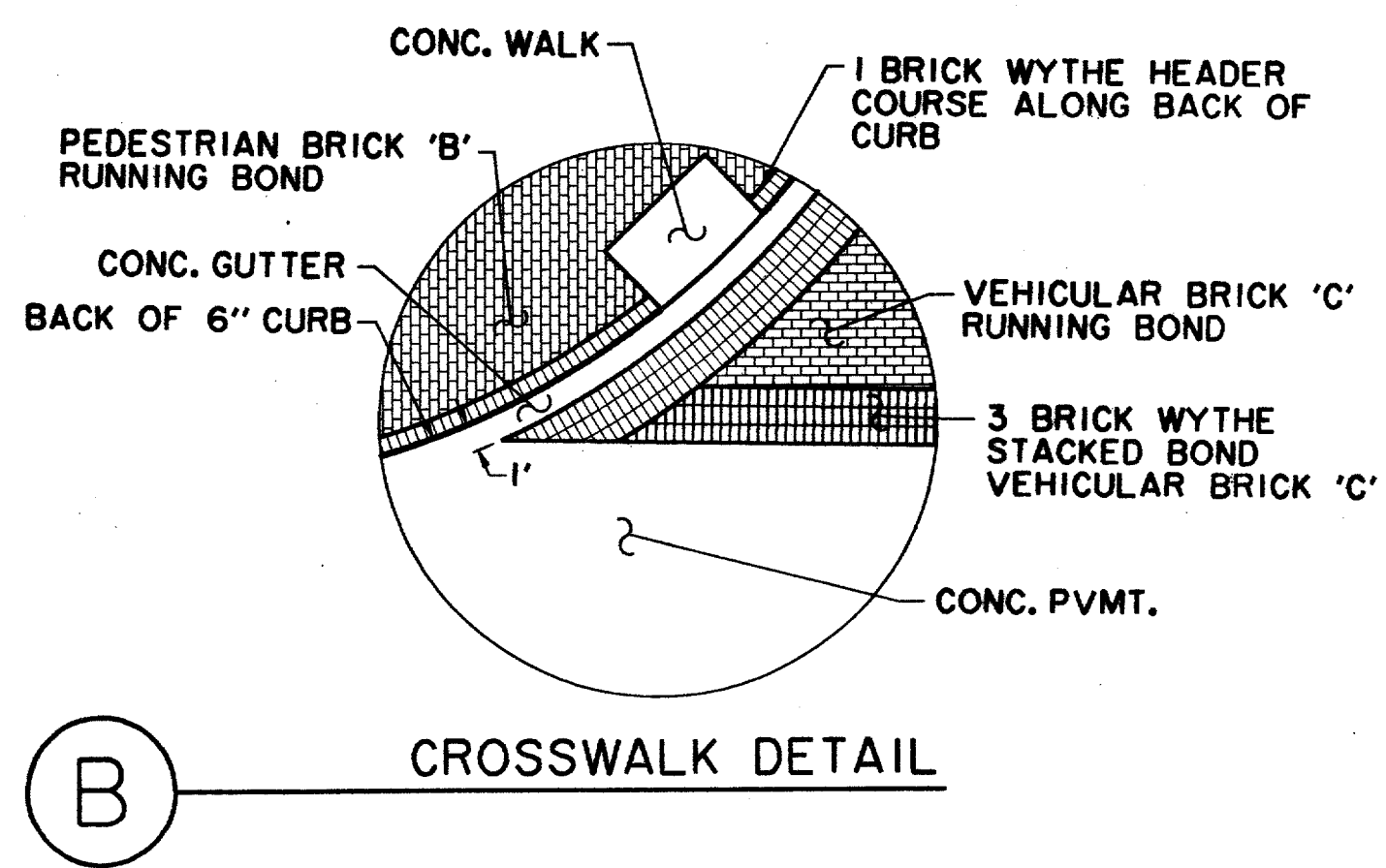
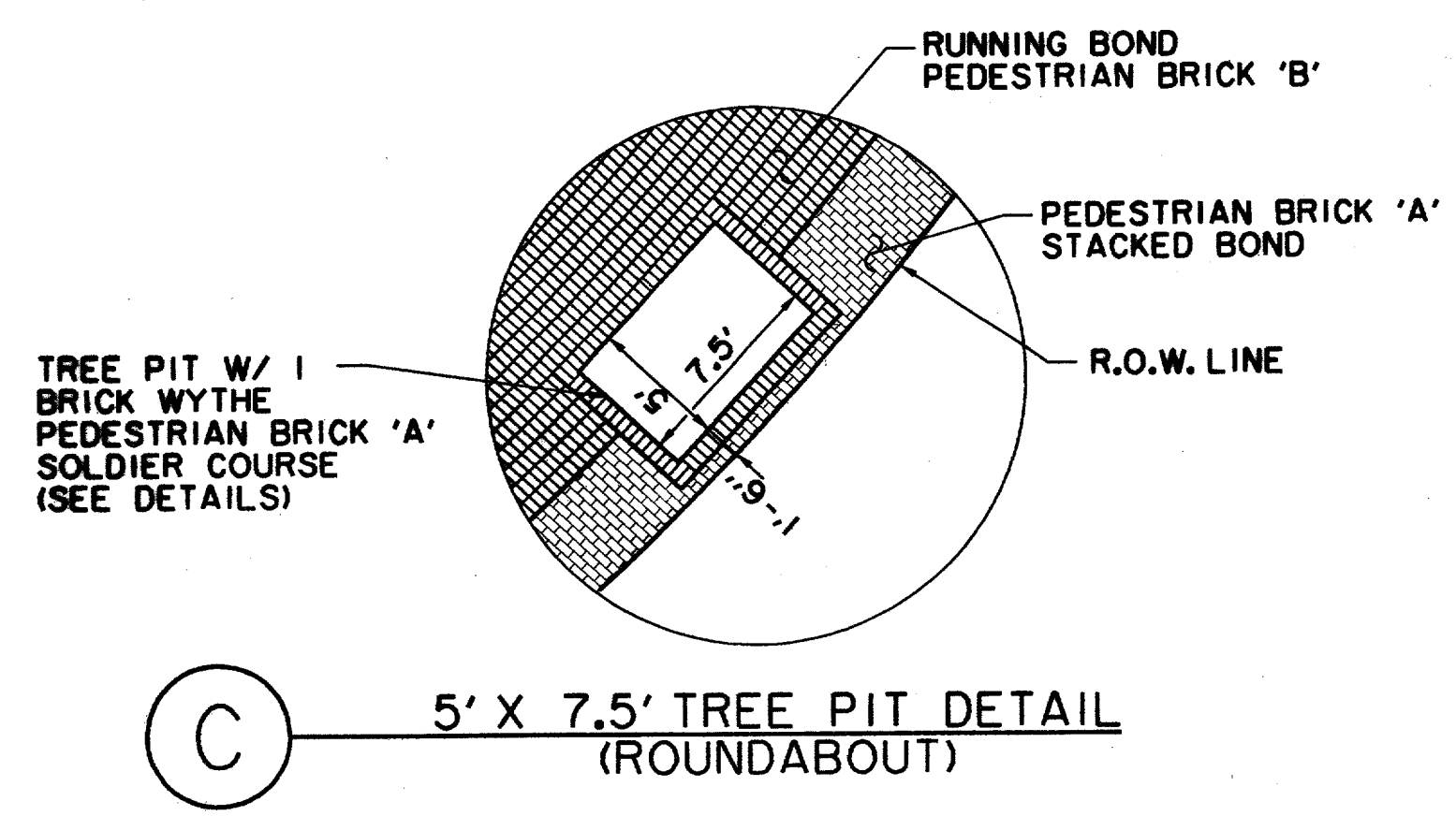


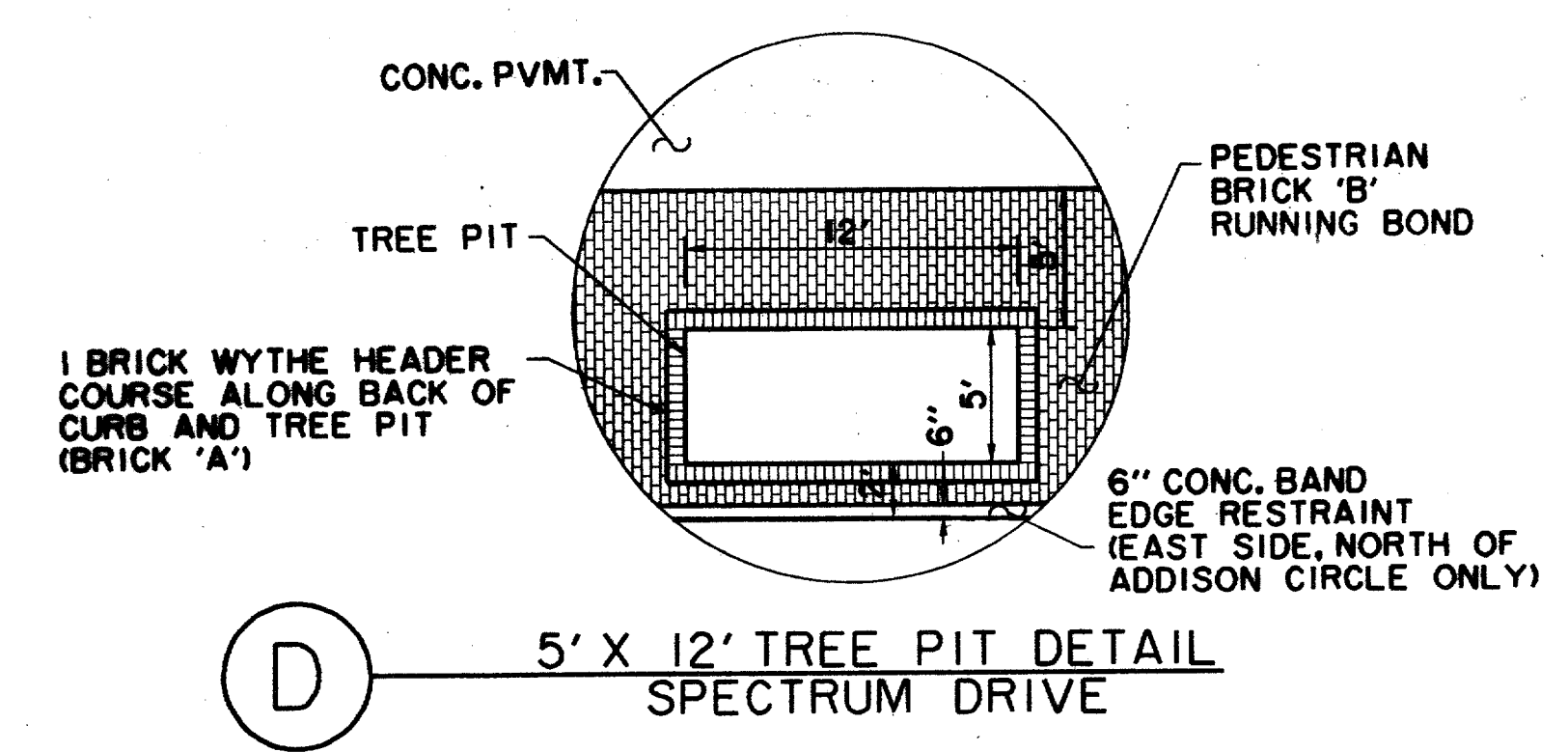
A 5' X 12' TREE PIT BRICK DETAIL
(QUORUM DRIVE)



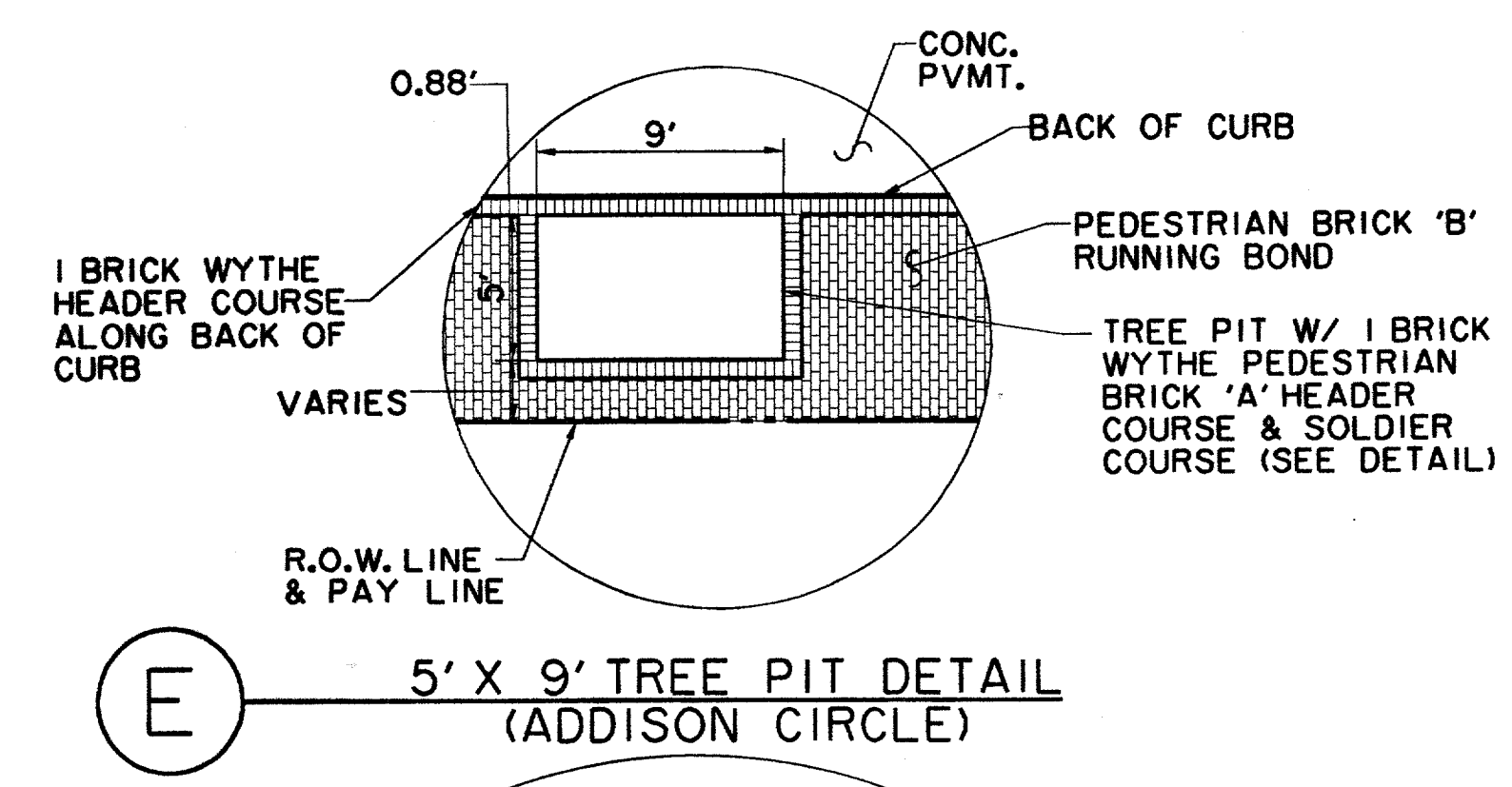
B CROSSWALK DETAIL



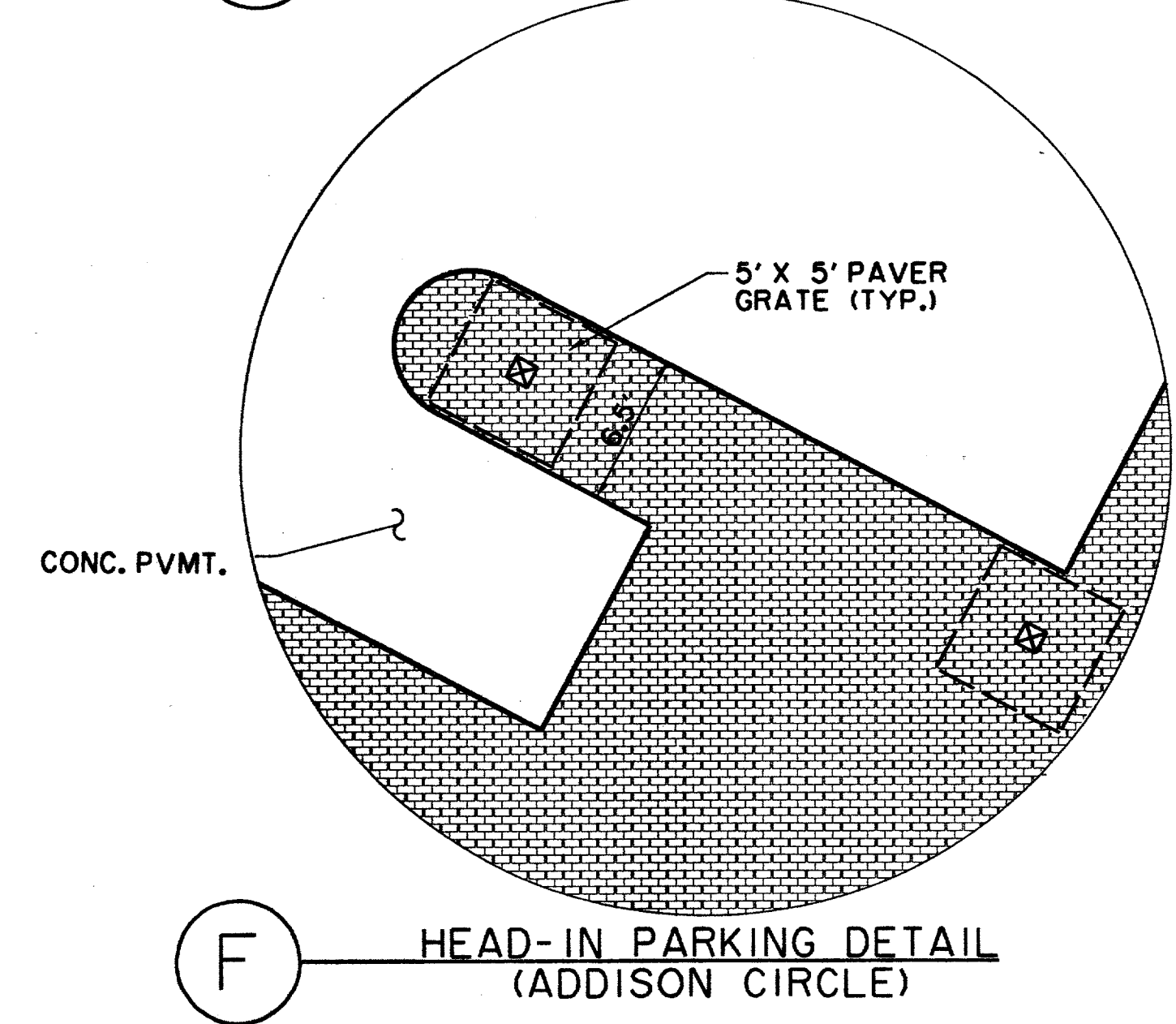
C 5' X 7.5' TREE PIT DETAIL
(ROUNDBOUT)



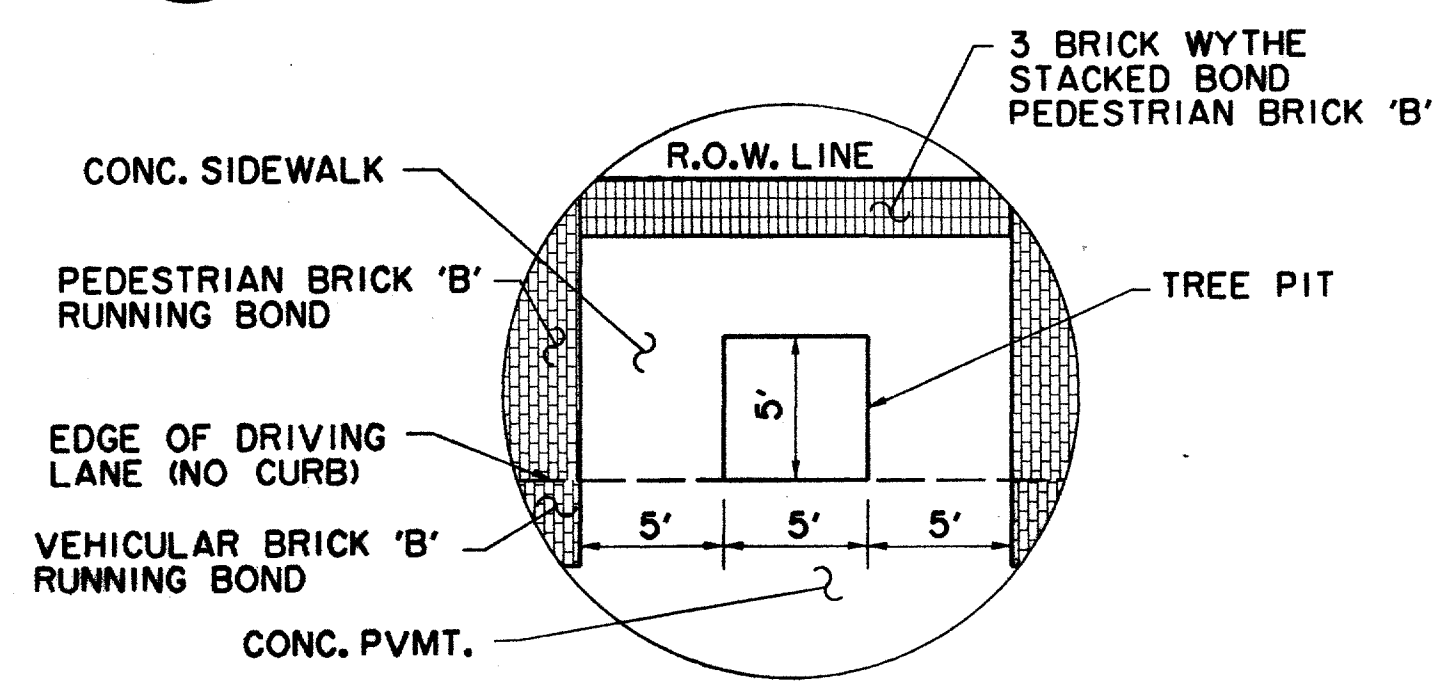
D 5' X 12' TREE PIT DETAIL
SPECTRUM DRIVE



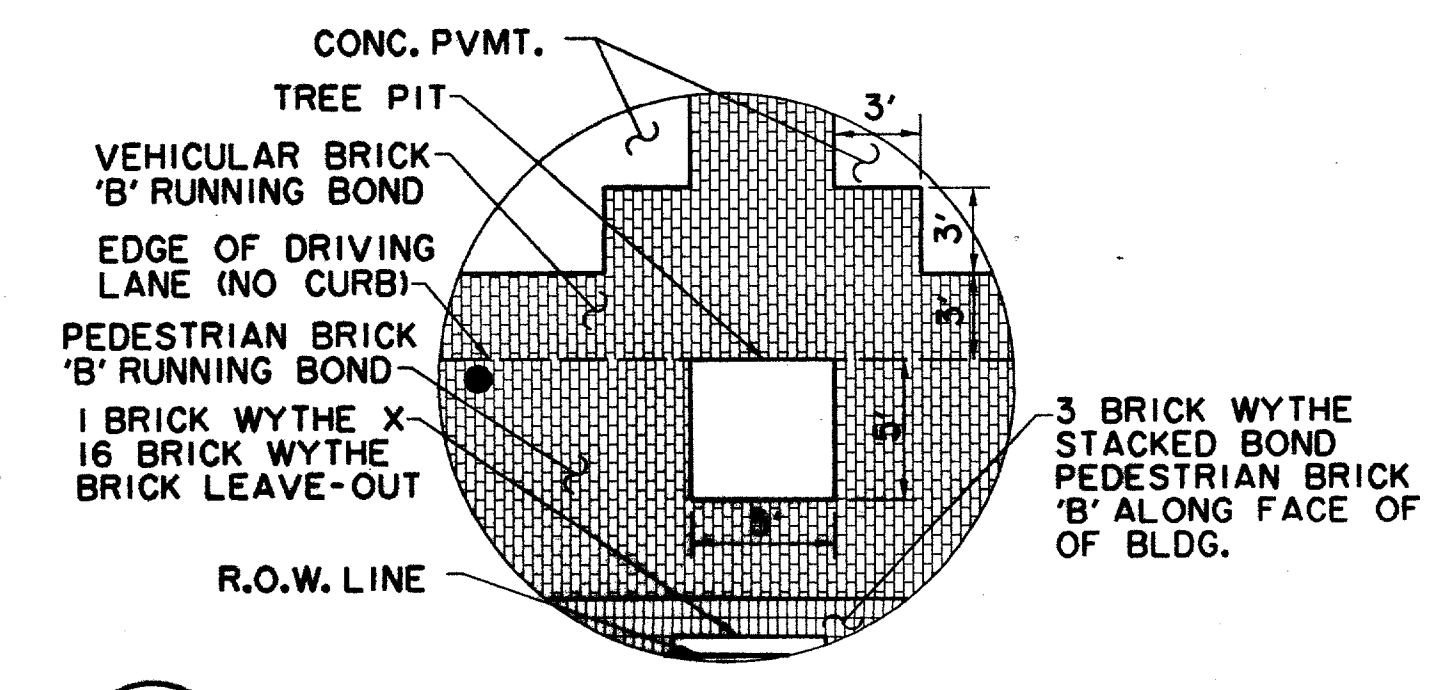
E 5' X 9' TREE PIT DETAIL
(ADDISON CIRCLE)



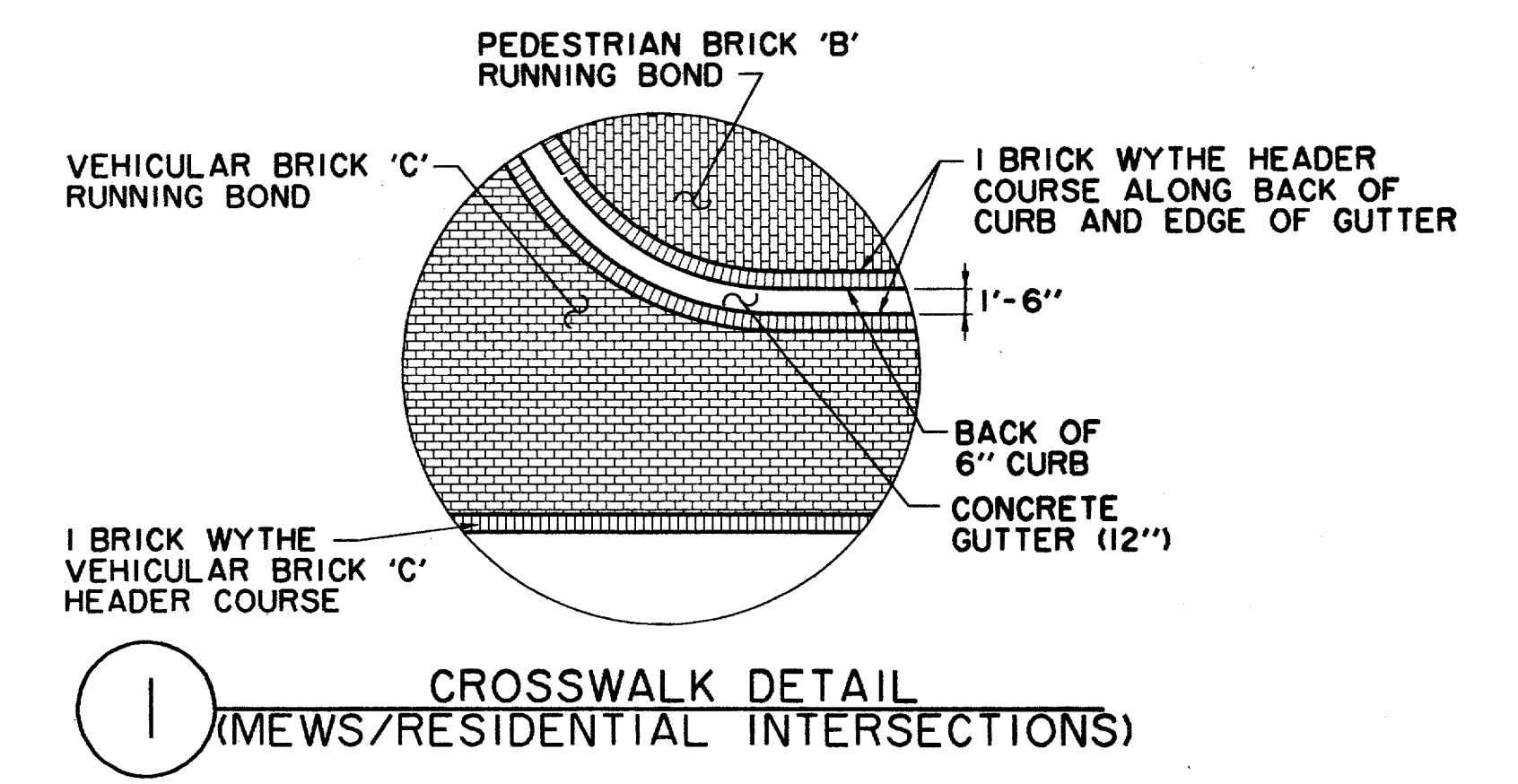
F HEAD-IN PARKING DETAIL
(ADDISON CIRCLE)



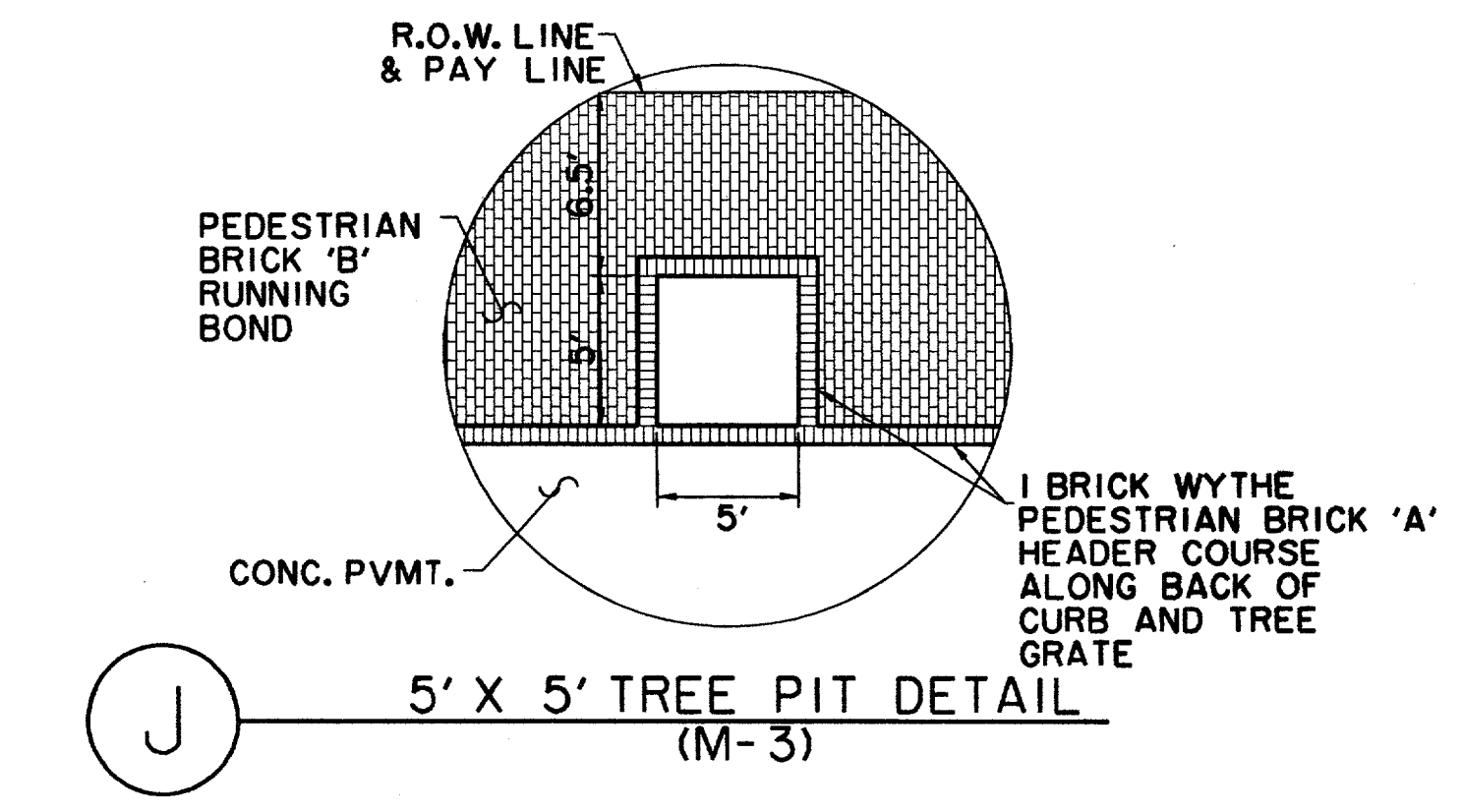
G 5' X 5' TREE PIT DETAIL
(M-2 NORTH AND M-2 SOUTH)



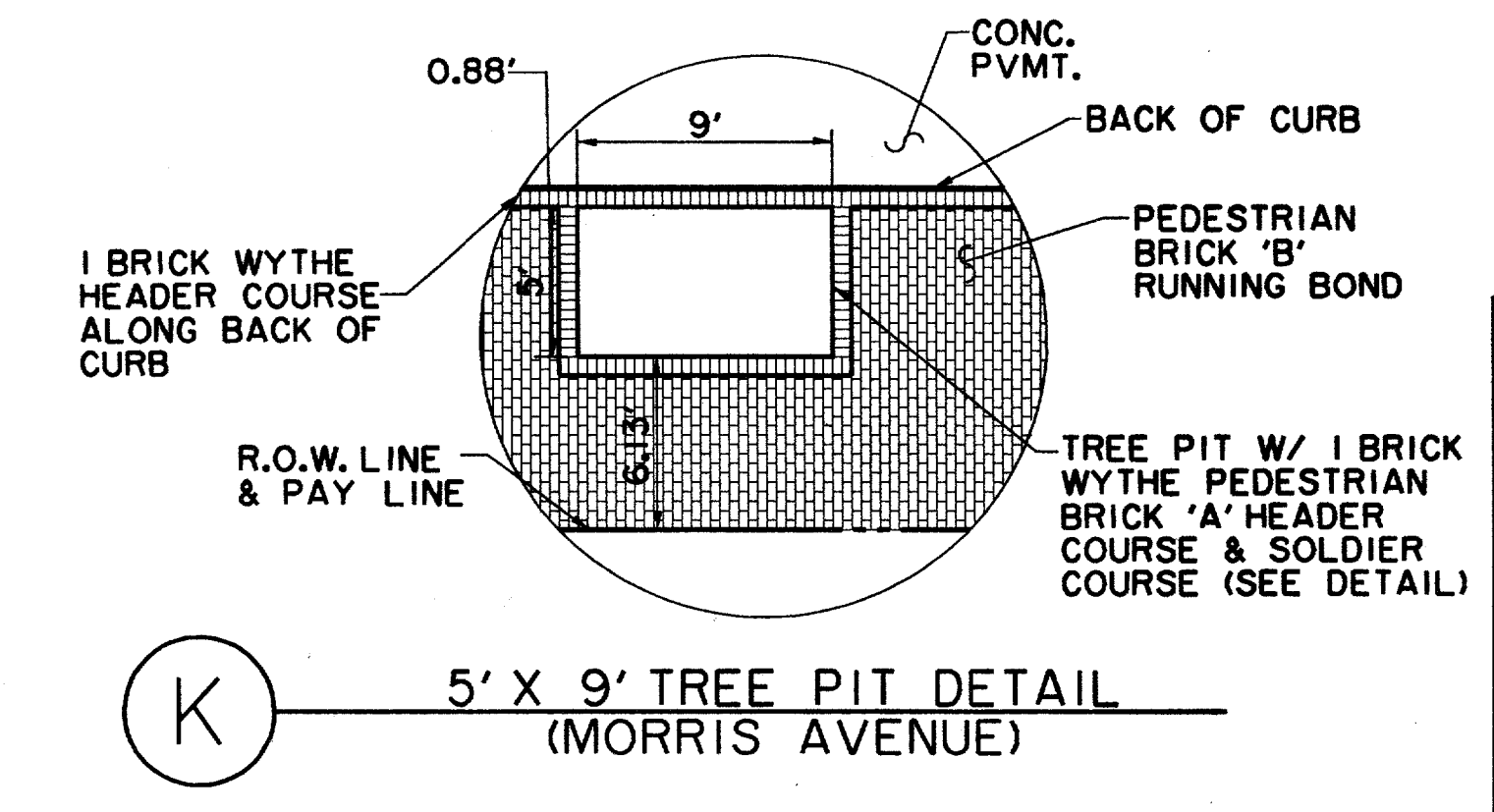
H 5' X 5' TREE PIT DETAIL
(M-2 NORTH AND M-2 SOUTH)



I CROSSWALK DETAIL
(MEWS/RESIDENTIAL INTERSECTIONS)



J 5' X 5' TREE PIT DETAIL
(M-3)



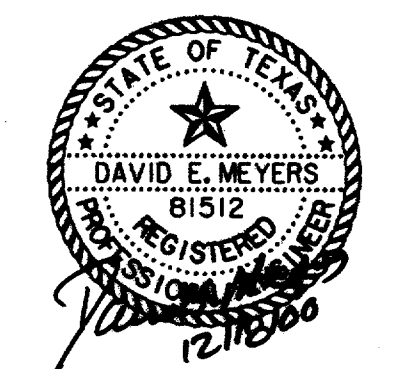
K 5' X 9' TREE PIT DETAIL
(MORRIS AVENUE)

BRICK TYPES

- VEHICULAR BRICK "A" - 2 5/8"X4"X8" (COCOA)
- VEHICULAR BRICK "B" - 2 5/8"X4"X8 (K&W OLD SMOKIE)
- VEHICULAR BRICK "C" - 2 5/8"X3 1/2"X7 1/2" (ACME)
- PEDESTRIAN BRICK "A" - 2 1/4"X4"X8" (BROWN)
- PEDESTRIAN BRICK "B" - 2 1/4"X4"X8" (AUTUMN HAZE)

RECORD DRAWING

THE SEAL APPEARING ON THIS DOCUMENT WAS AUTHORIZED BY DAVID E. MEYERS, P.E. 81512



DATE	DESCRIPTION	REF NO.
10/3/97	ISSUED FOR CONSTRUCTION	N/A
7/14/97	ISSUED FOR BID	N/A

SURFACE PATTERNING DETAILS

ADDISON CIRCLE

PHASE II PUBLIC INFRASTRUCTURE

TOWN OF ADDISON, TEXAS

Huitt-Zollars, Inc./Engineering/Architecture
Dallas, Fort Worth, Houston, El Paso, Phoenix, Tustin, Ontario

DESIGN	DRAWN	APPR.	SCALE	DATE	PROJECT NO.	NO.
HZI	HZI	DEM	N.T.S.	OCT. 97	01-1822-21	SP9