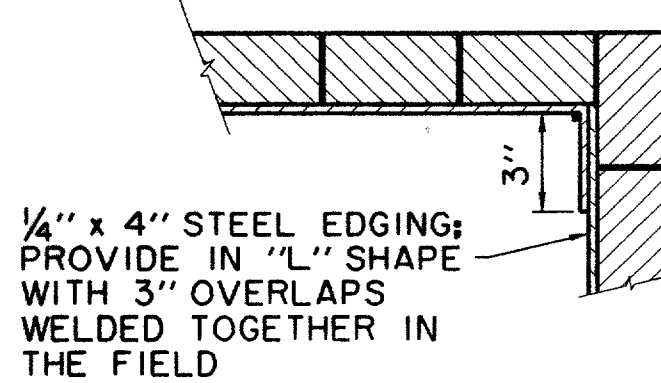


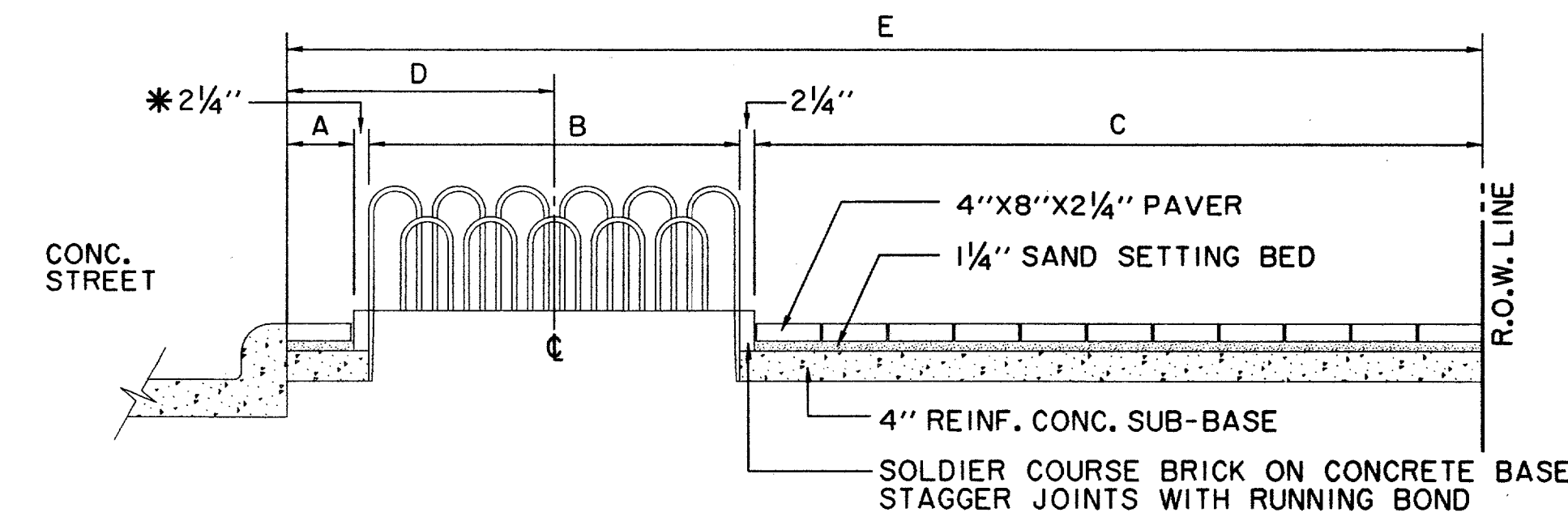
TREE FENCE FRAME
INSTALLATION DETAIL

N.T.S.



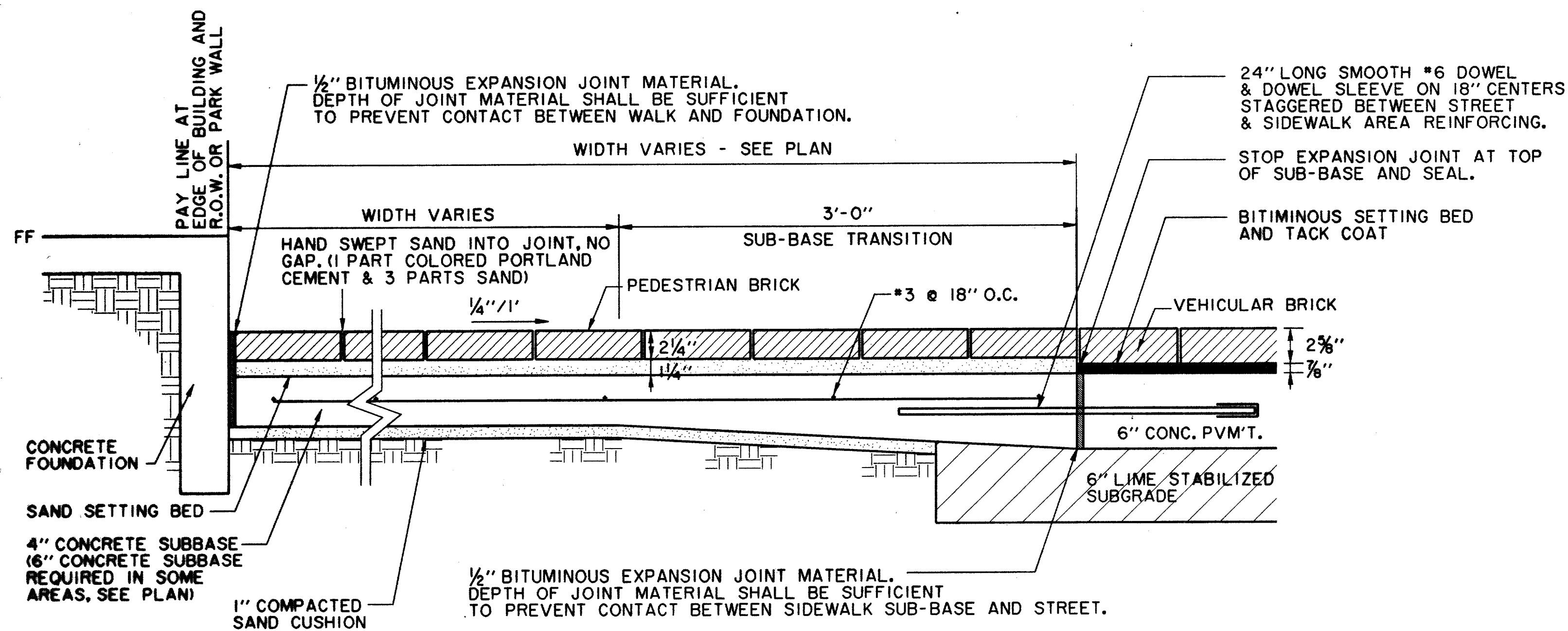
STEEL EDGING
OVERLAP DETAIL

N.T.S.



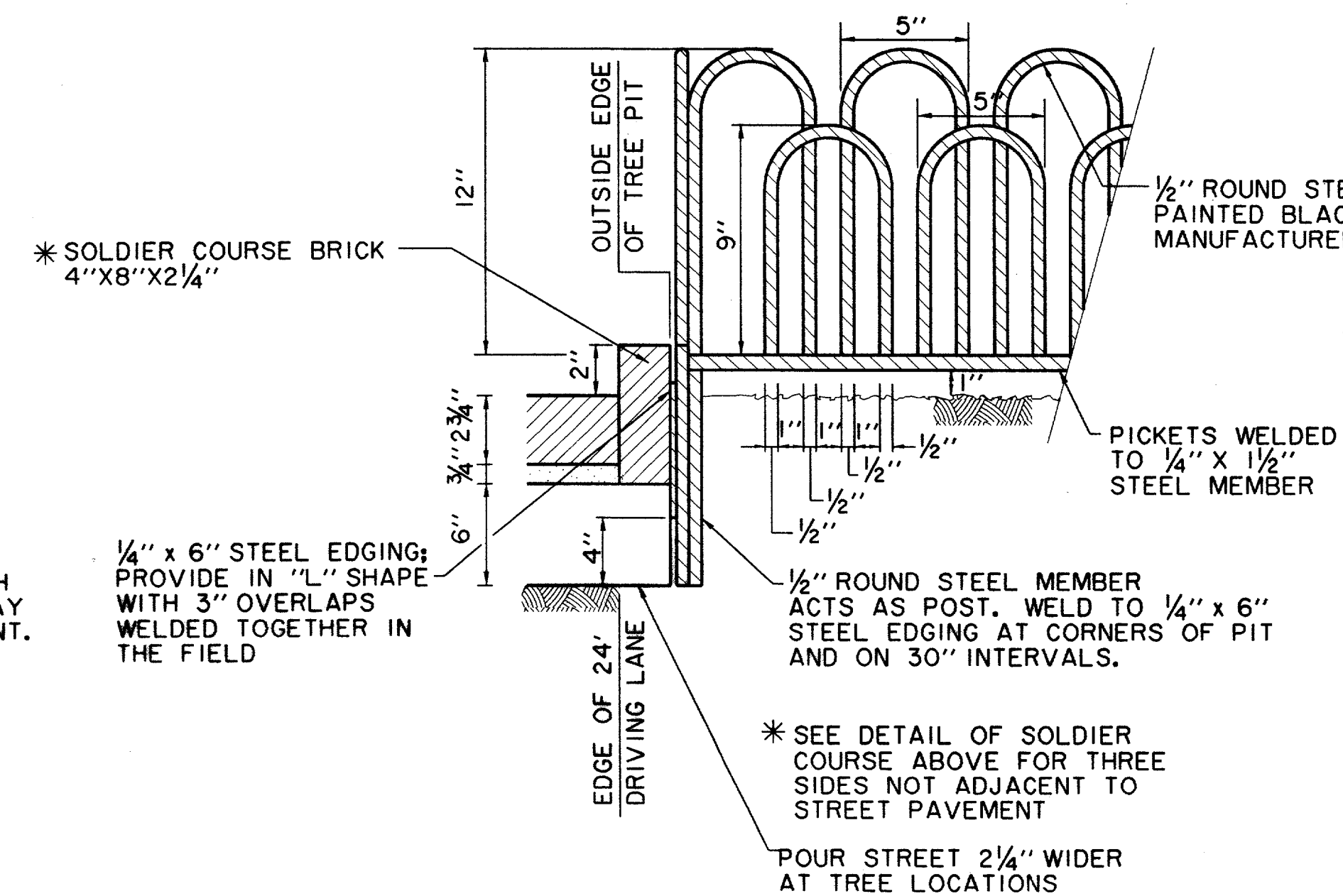
LOCATION	A	B	C	D	E
QUORUM DRIVE	8 1/4"	5'-0"	7'-11 1/4"	3'-4 1/2"	14'-0"
M-3 *	0	5'-0"	5'-6"	2'-6"	10'-6"
MORRIS AVE.	8 1/4"	5'-0"	5'-11 1/4"	3'-4 1/2"	12'-0"
M-2 NORTH	0	5'-0"	5'-1 1/2"	2'-8 1/4"	10'-6"
M-2 SOUTH	0	5'-0"	5'-1 1/2"	2'-8 1/4"	10'-6"
MODERN ROUNDABOUT	VARIABLES	5'-0"	VARIABLES	VARIABLES	VARIABLES
SPECTRUM DRIVE	4'-9 3/4"	5'-0"	1'-9 3/4"	7'-6"	12'-0"

*NO SOLDIER COURSE
ADJACENT TO CURB
ON M-3



BRICK SIDEWALK IN PEDESTRIAN AREA
AT JUNCTION WITH M-2 NORTH, M-2 SOUTH

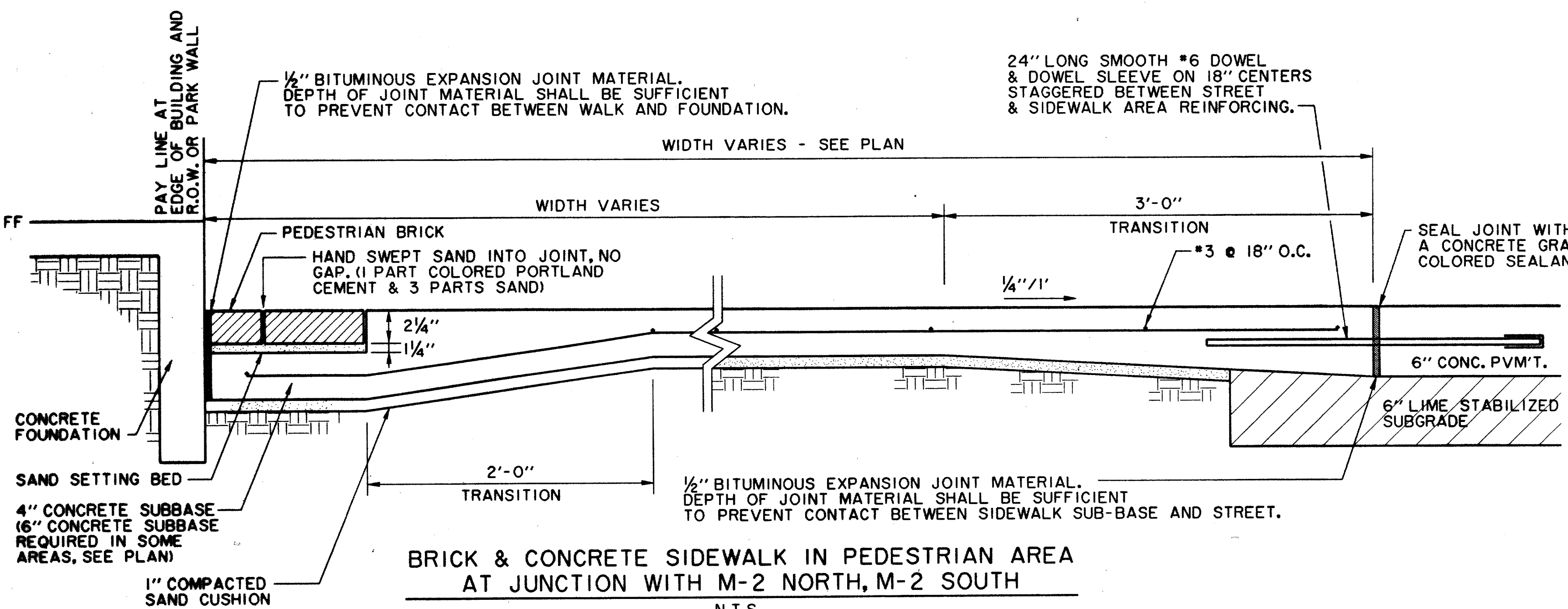
N.T.S.



TREE FENCE
M-2 NORTH & M-2 SOUTH

*(ADJACENT TO STREET ONLY)

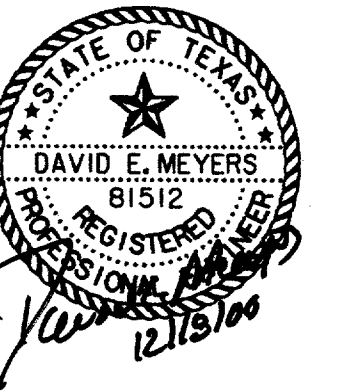
N.T.S.



BRICK & CONCRETE SIDEWALK IN PEDESTRIAN AREA
AT JUNCTION WITH M-2 NORTH, M-2 SOUTH

N.T.S.

THE SEAL APPEARING ON THIS
DOCUMENT WAS AUTHORIZED BY
DAVID E. MEYERS, P.E. 81512



RECORD
DRAWING

DATE	DESCRIPTION	REF NO.
10/3/97	ISSUED FOR CONSTRUCTION	N/A
7/14/97	ISSUED FOR BID	N/A

STREETSCAPE DETAILS

ADDISON CIRCLE

PHASE II PUBLIC INFRASTRUCTURE

TOWN OF ADDISON, TEXAS

Hullitt-Zollars, Inc./Engineering/Architecture
Dallas, Fort Worth, Houston, El Paso, Phoenix, Tustin, Ontario

DESIGN	DRAWN	APPR.	SCALE	DATE	PROJECT NO.	NO.
HZ1	HZ1	DEM	N.T.S.	OCT. 97	01-1822-21	ST12