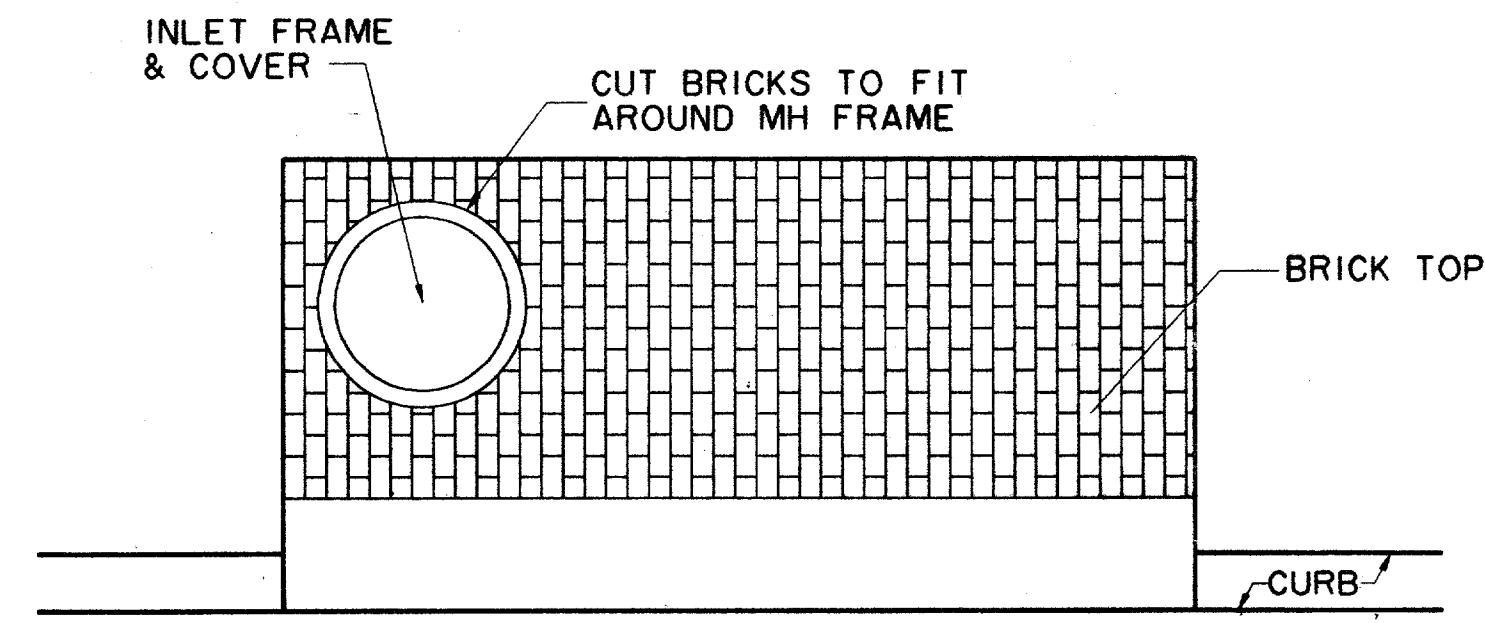
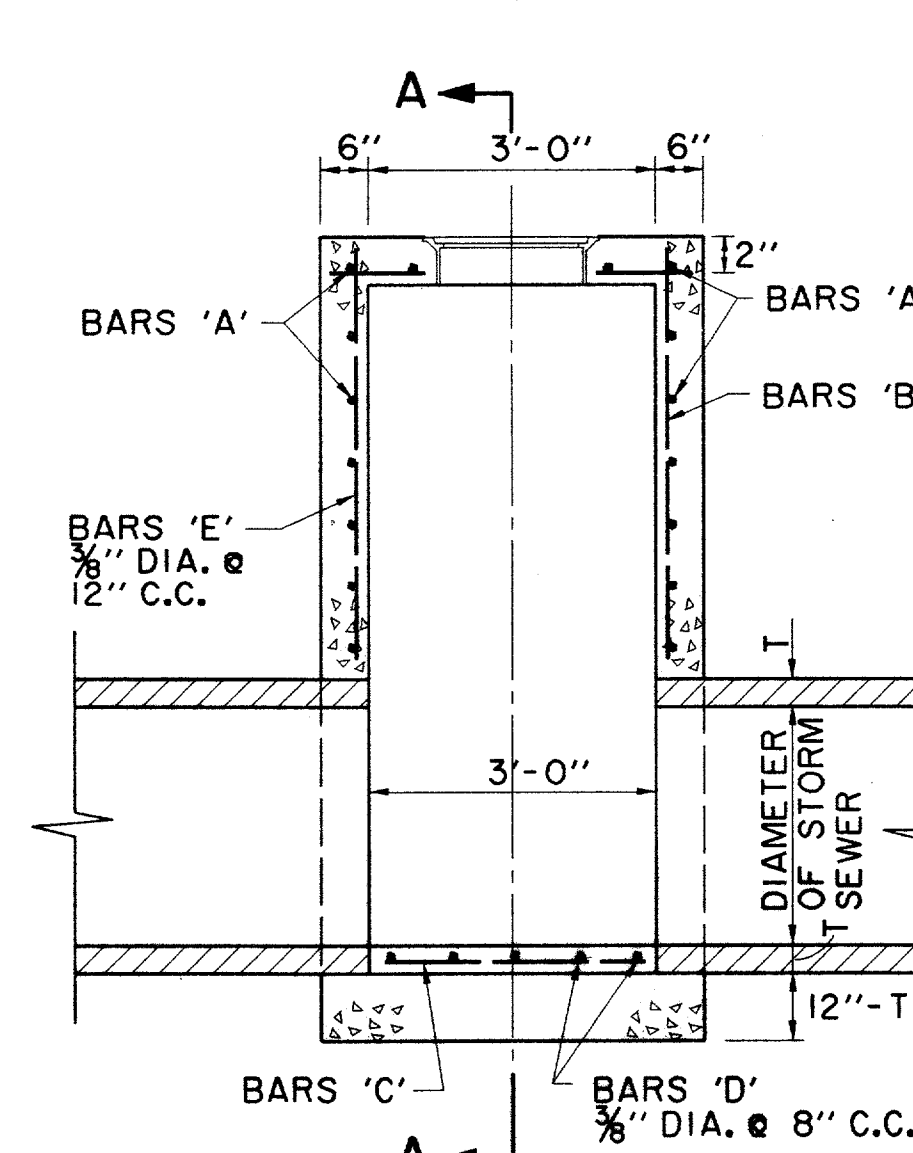


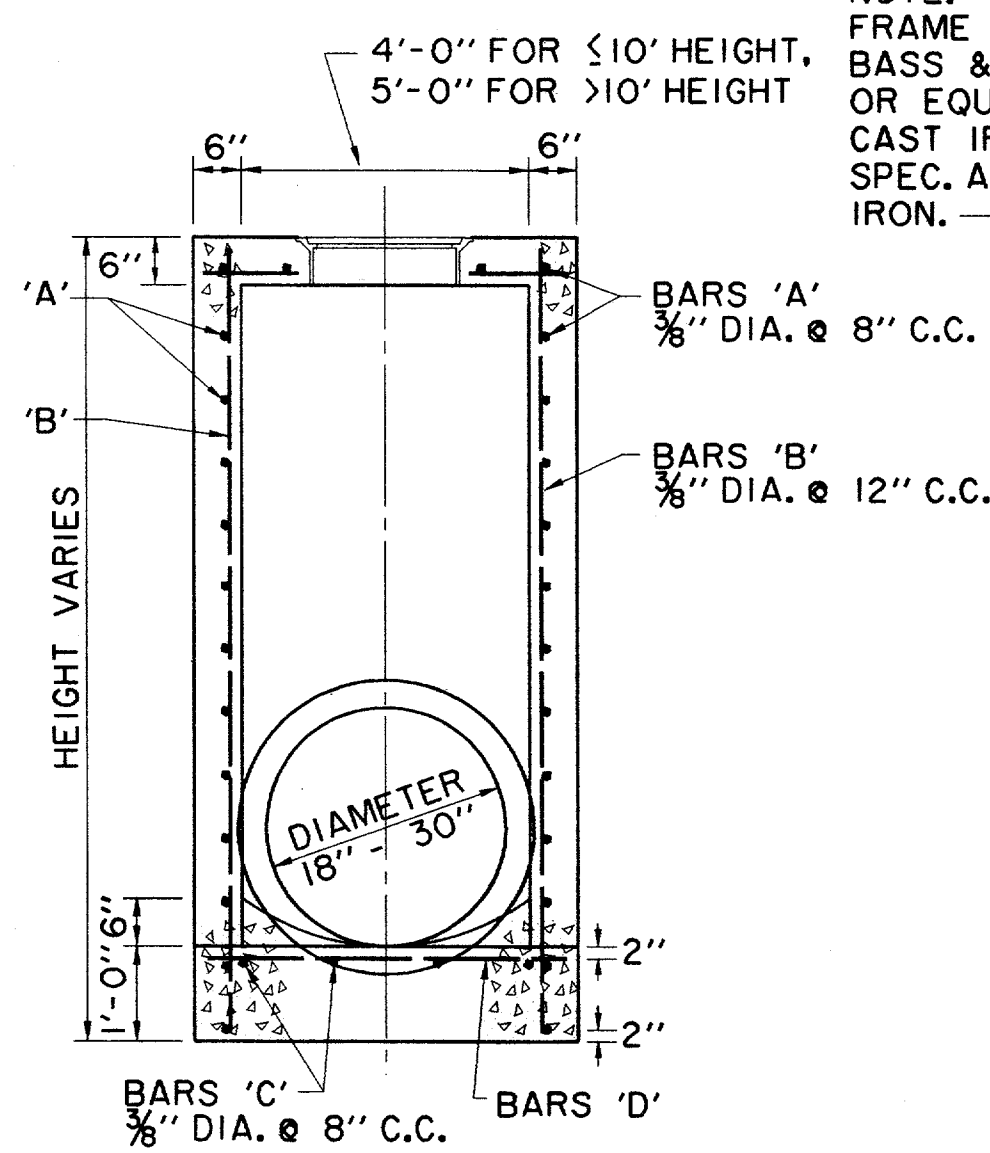
INLET PLAN
REINFORCING STEEL
FOR BRICK ON INLET
N.T.S.



INLET PLAN
BRICK ON INLET
N.T.S.



ELEVATION
N.T.S.

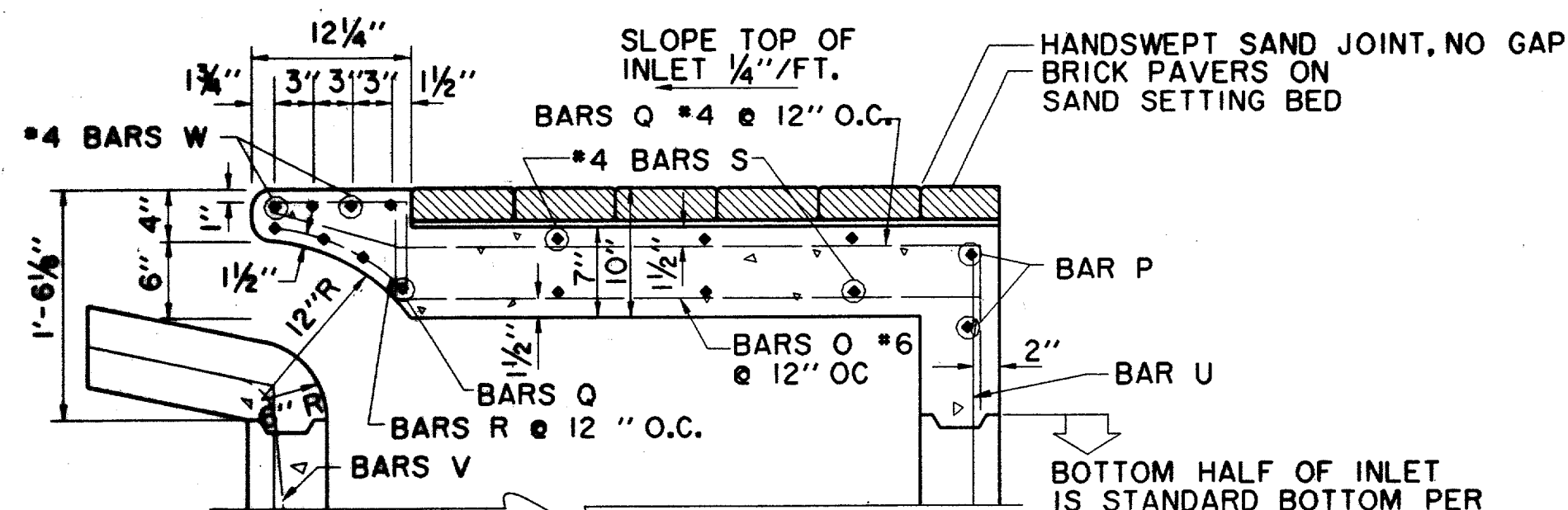


SECTION A-A
N.T.S.

TOP PLAN
TYPE A & TYPE B
STORM SEWER MANHOLE
N.T.S.

NOTE: MANHOLES AND INLETS GREATER THAN 4' IN DEPTH SHALL HAVE BASS AND HAYES MODEL MA STEPS OR APPROVED EQUAL

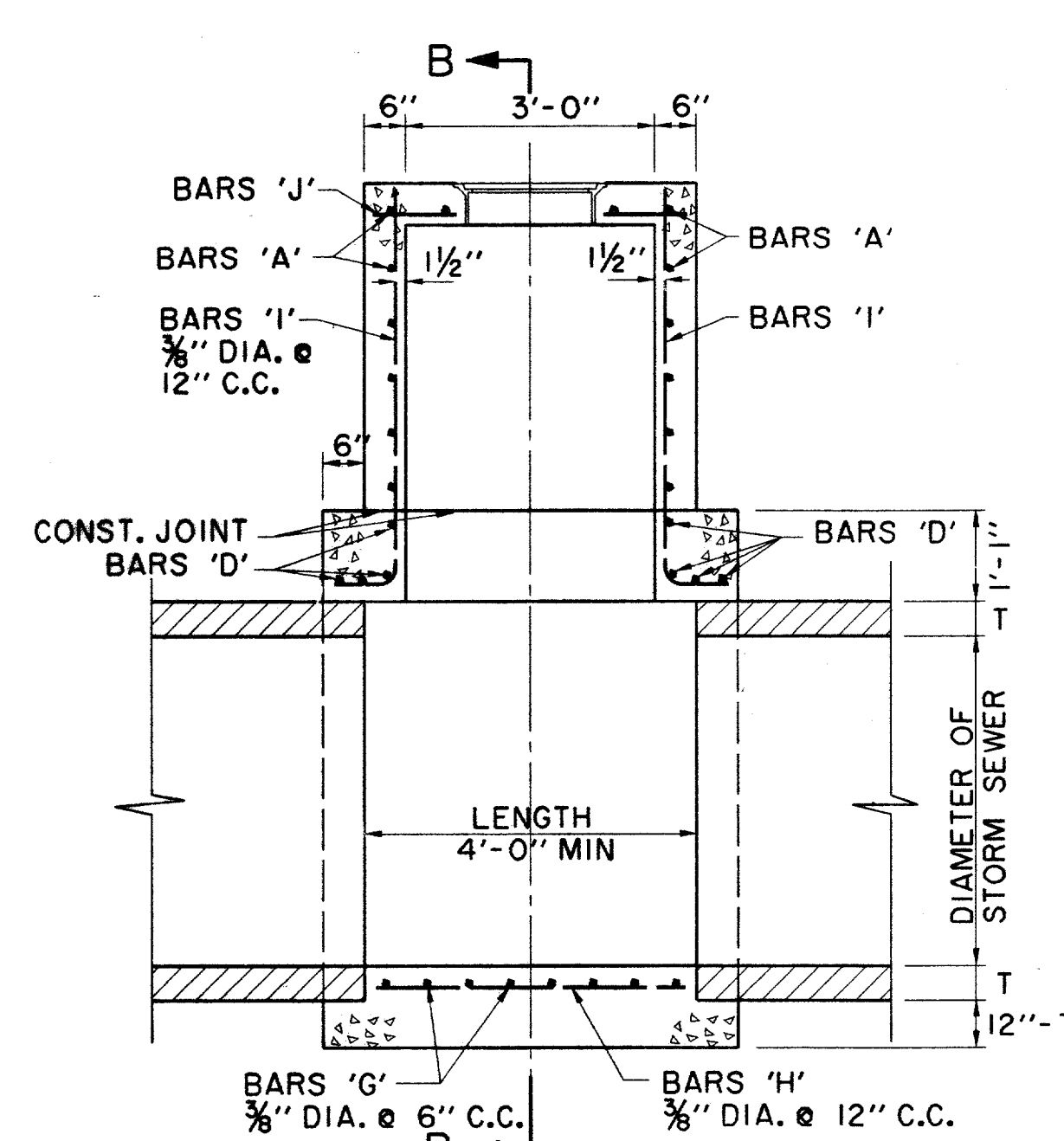
NOTE: MANHOLES AND INLETS GREATER THAN 4' IN DEPTH SHALL HAVE BASS AND HAYES MODEL MA STEPS OR APPROVED EQUAL



SECTION C-C - DETAIL
BRICK ON INLET
N.T.S.

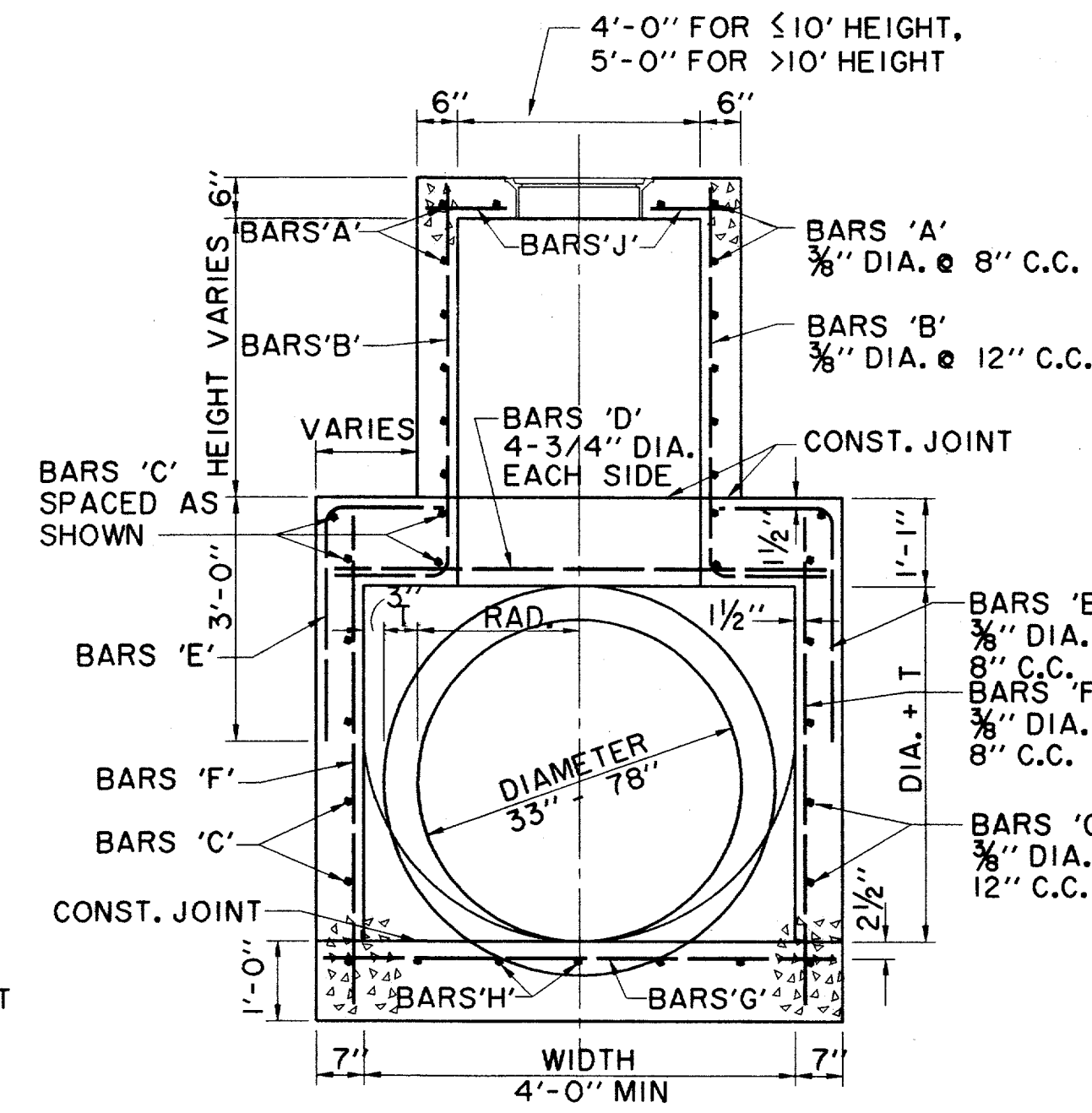
FOR EXISTING INLETS TO BE MODIFIED, BREAK OUT TOP ±20", TIE NEW STEEL TO OLD AND POUR MODIFIED TOP.

BOTTOM HALF OF INLET IS STANDARD BOTTOM PER TOWN OF ADDISON DETAILS

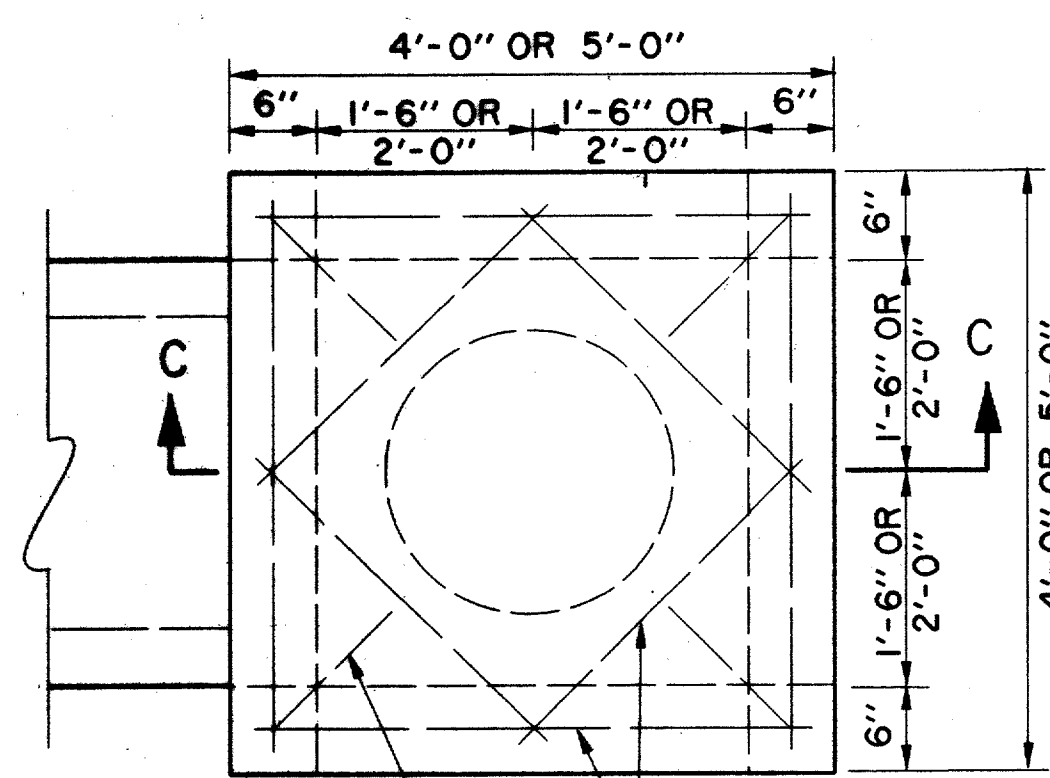


ELEVATION
N.T.S.

TYPE B STORM SEWER MANHOLE
(FOR PIPE 33" TO 78" IN DIAMETER)

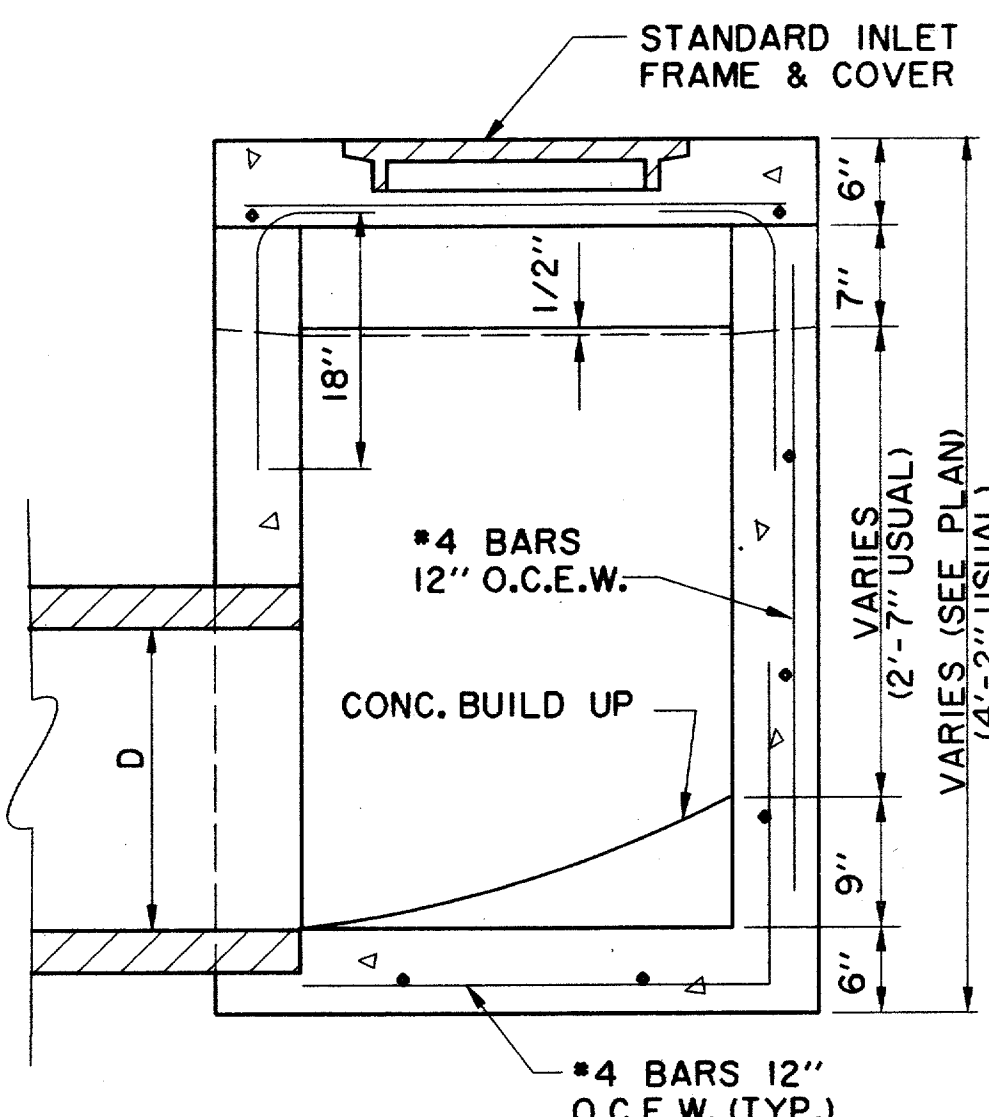


SECTION B-B
N.T.S.

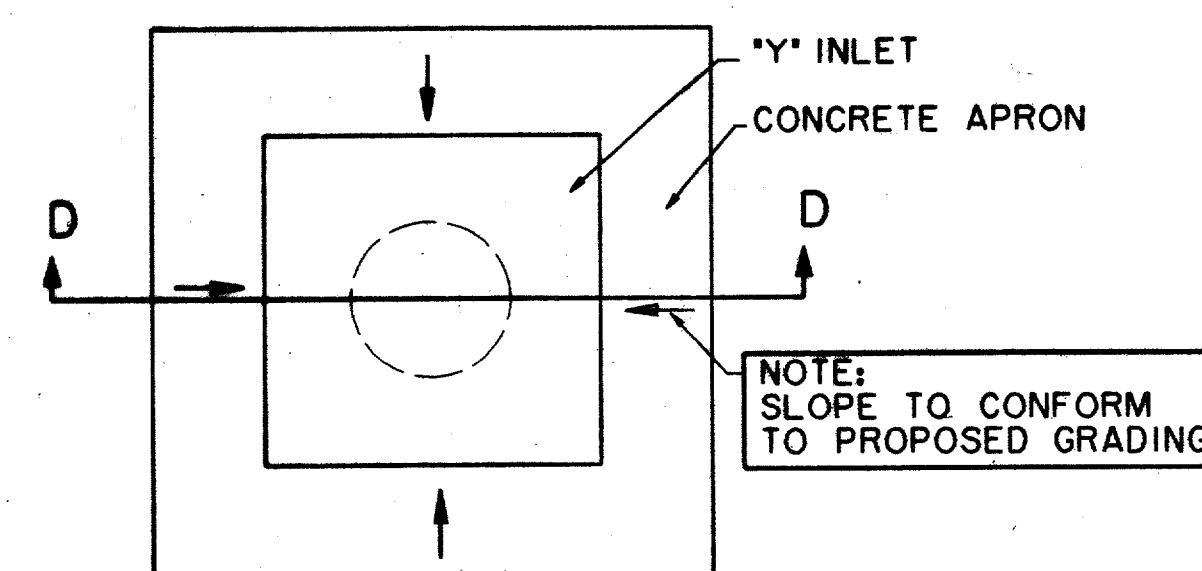


STANDARD TYPE "Y" INLET
N.T.S.

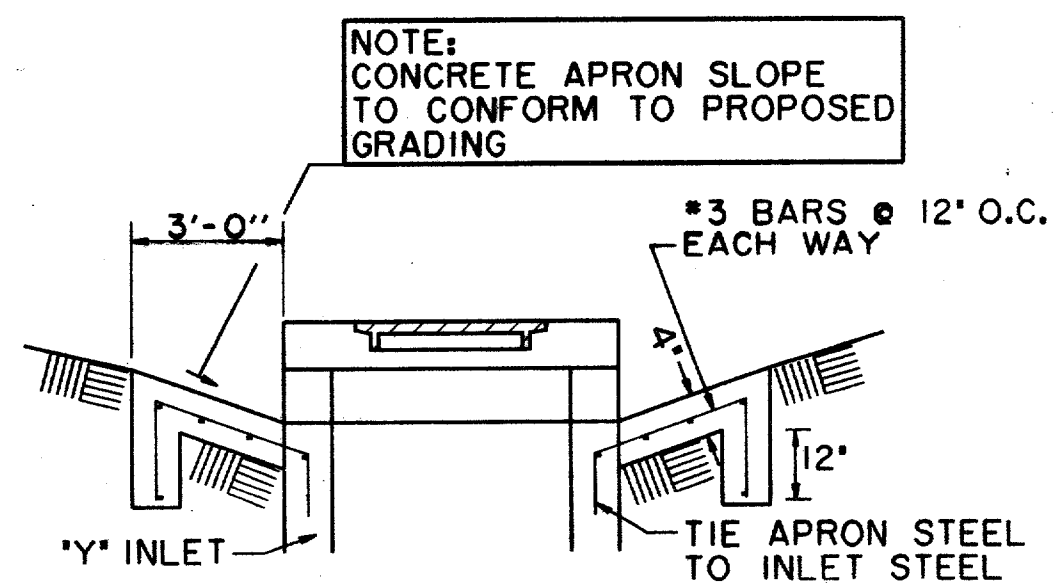
NOTE: ALL "Y" INLETS TO HAVE CONCRETE APRON AROUND INLET



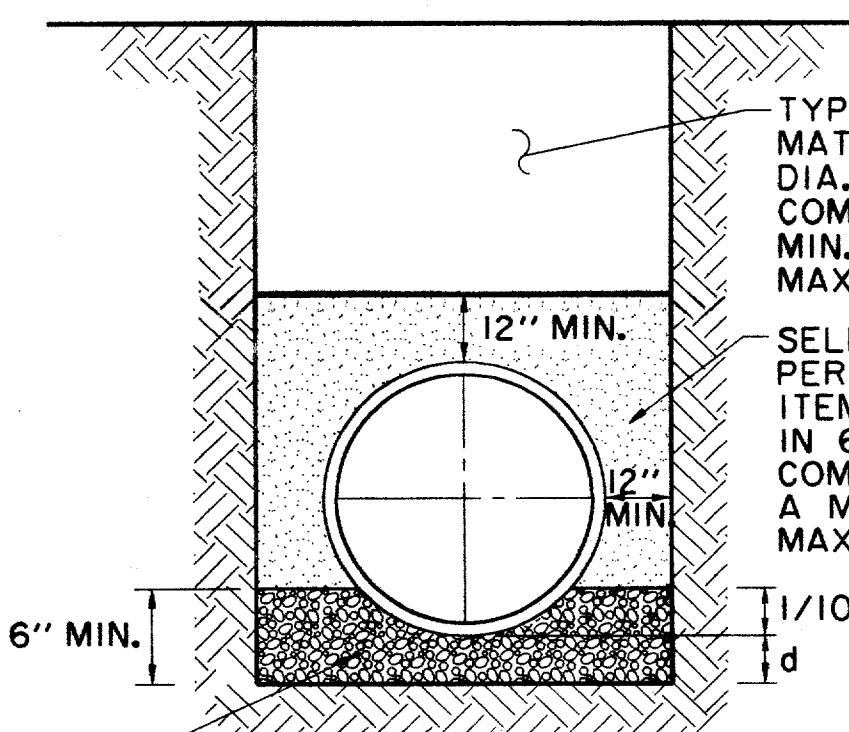
SECTION C-C
N.T.S.



"Y" INLET CONCRETE APRON PLAN
N.T.S.

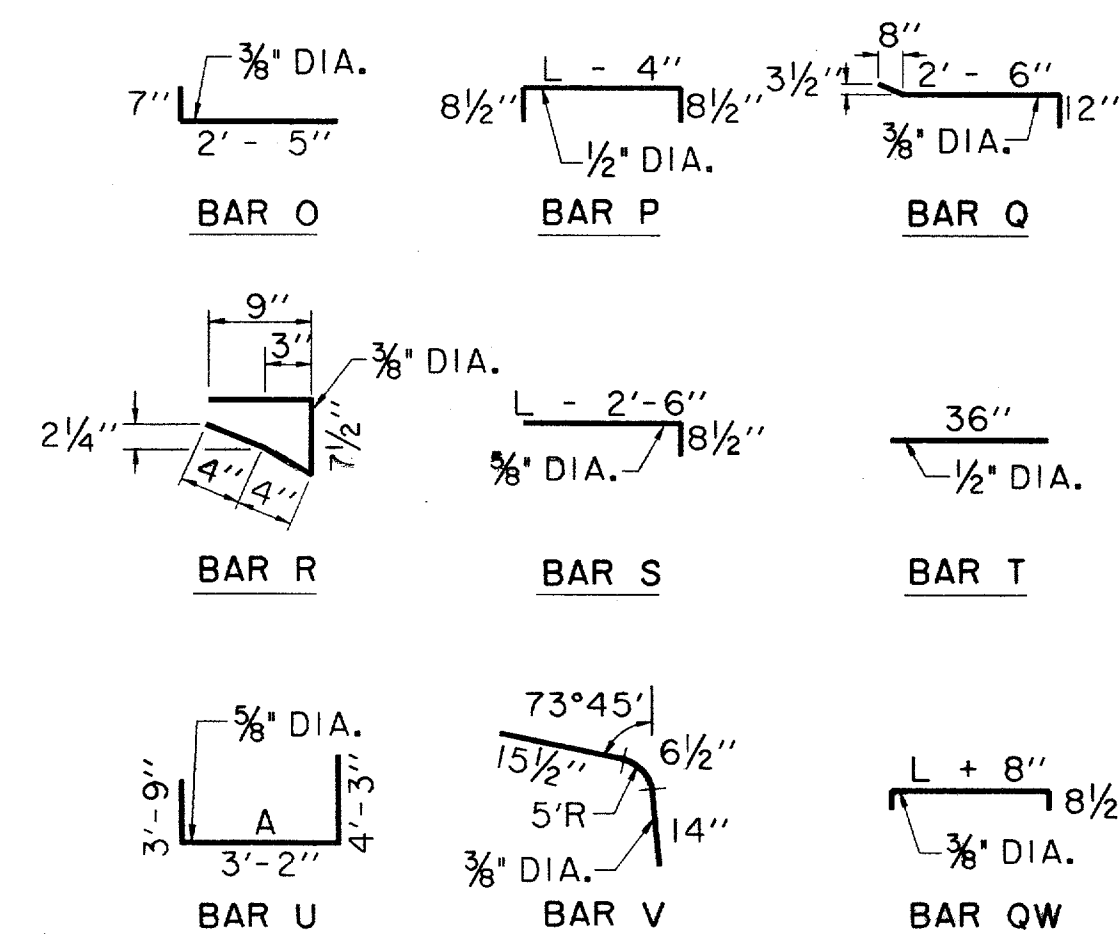


SECTION D-D
N.T.S.



EMBEDMENT DETAIL
FOR STORM SEWER
N.T.S.

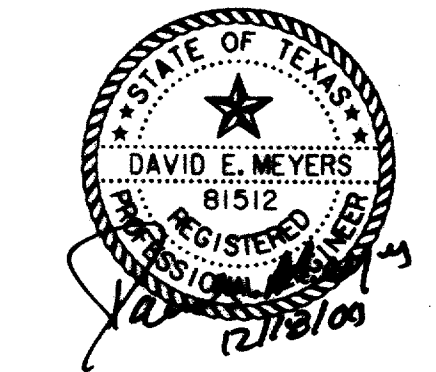
DEPTH OF BEDDING MATERIAL BELOW PIPE	
D (INSIDE DIAMETER)	d (MIN.)
27"	3"
30" TO 60"	4"
36"	6"



BAR DIAGRAMS (BRICK ON INLET)
N.T.S.

NOTE: BAR DESIGNATIONS AND DIMENSIONS ARE DIFFERENT FROM STEEL SCHEDULE FOR REGULAR INLETS.

THE SEAL APPEARING ON THIS DOCUMENT WAS AUTHORIZED BY DAVID E. MEYERS, P.E. 81512



RECORD DRAWING

DATE	DESCRIPTION	REF NO.
10/3/97	ISSUED FOR CONSTRUCTION	N/A
7/14/97	ISSUED FOR BID	N/A

STORM WATER DETAILS

ADDISON CIRCLE

PHASE II PUBLIC INFRASTRUCTURE

TOWN OF ADDISON, TEXAS

DESIGN	DRAWN	APPR.	SCALE	DATE	PROJECT NO.	NO.
HZ1	HZ1	DEM	N.T.S.	JUN. 97	01-1822-21	SW26