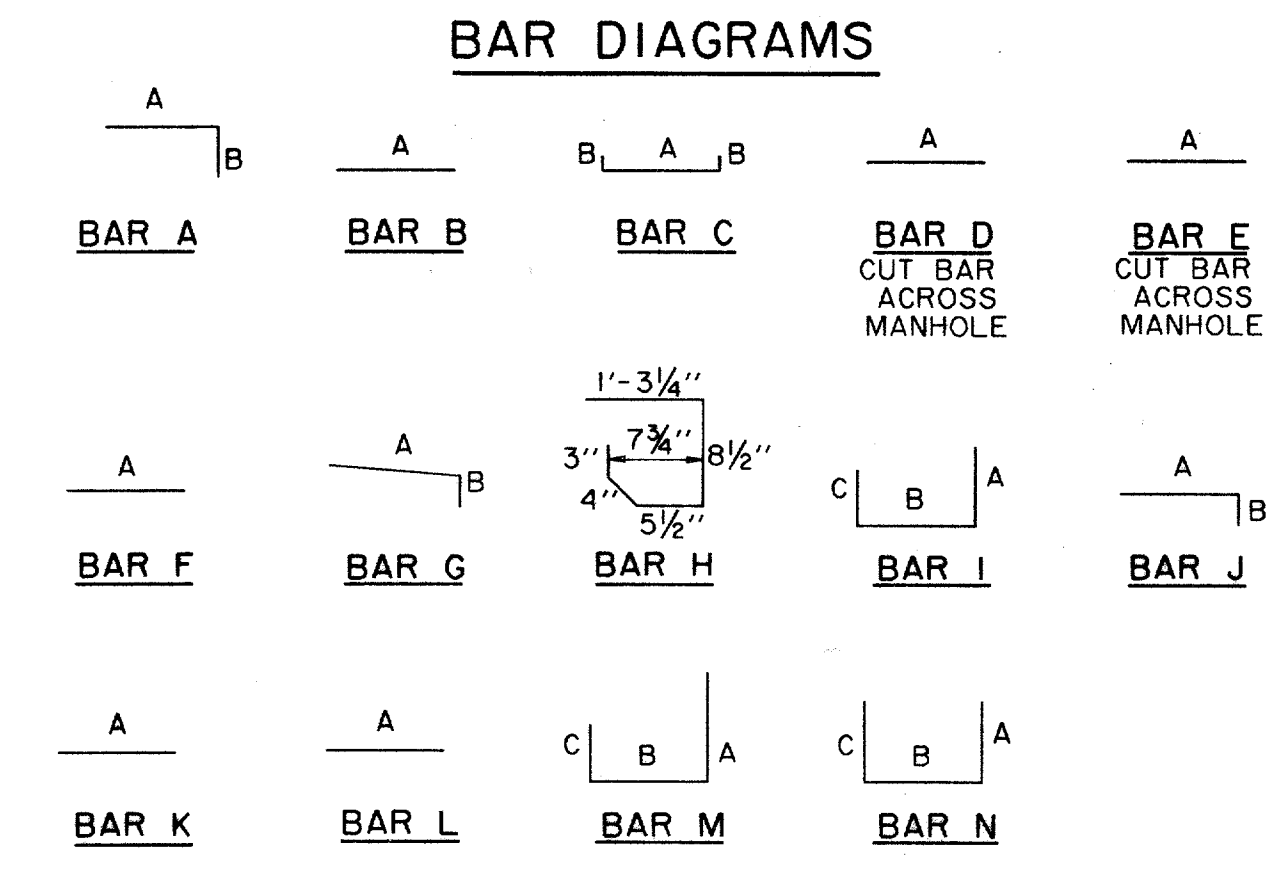
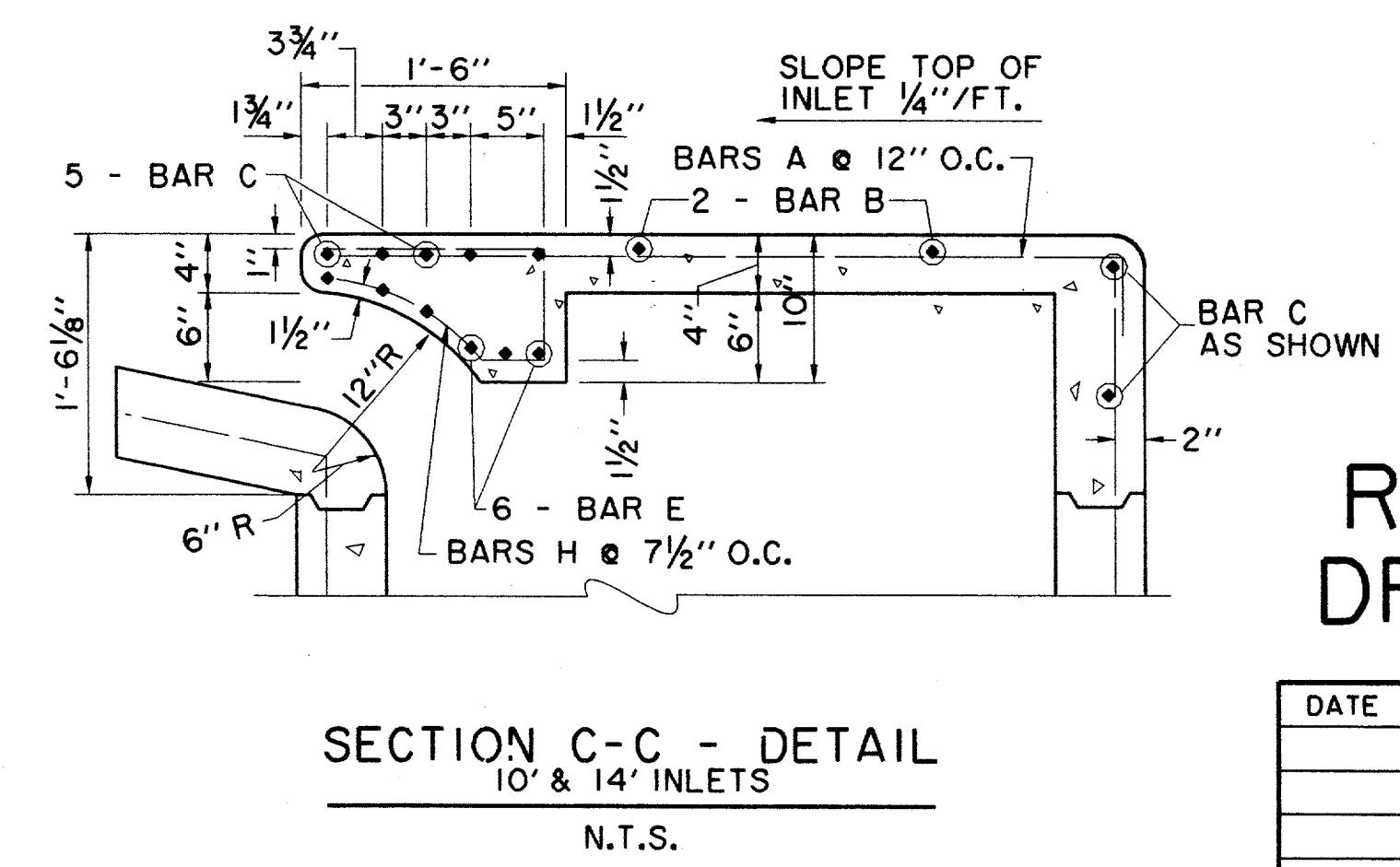


REINFORCING STEEL SCHEDULE

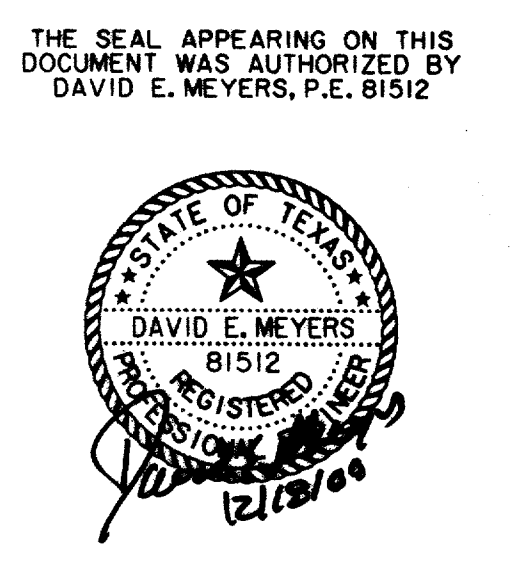
DIMENSION SHOWN ARE FOR MAXIMUM SIZE INLETS

INLET LENGHT	BAR TYPE	BAR NO. (1/8" IN)	BAR DIMENSIONS		
			A	B	C
6	A	3	3'-2"	0'-3"	
	B	3	4'-10"		
	C	4	6'-8"	0'-6"	
	D	4	4'-8"		
	F	4	3'-2"		
	G	3	2'-0"	1'-3"	
	H	6			
	N	3	3'-2"	3'-2"	3'-2"
8	A	3	3'-2"	0'-3"	
	B	3	6'-10"		
	C	4	8'-8"	0'-6"	
	D	4	4'-8"		
	F	4	3'-2"		
	G	3	2'-0"	1'-3"	
	H	6			
	N	3	3'-2"	3'-2"	3'-2"
10	A	3	3'-2"	0'-3"	
	B	3	8'-10"		
	C	4	10'-8"	0'-6"	
	D	4	4'-8"		
	E	5	10'-8"		
	G	3	2'-0"	1'-3"	
	H	3	15		
	I	4	4'-8"	3'-2"	3'-2"
	L	4	4'-3"		
12	A	3	3'-2"	0'-3"	
	B	3	10'-10"		
	C	4	12'-8"	0'-6"	
	D	4	4'-8"		
	E	5	12'-8"		
	G	3	2'-0"	1'-3"	
	H	3	18		
	I	4	4'-8"	3'-2"	3'-2"
	J	5	3'-2"	1'-3"	
	K	4	2'-3"		
	L	4	4'-3"		
	M	5	4'-3"	3'-2"	3'-9"
14	A	3	3'-2"	0'-3"	
	B	3	10'-10"		
	C	4	14'-8"	0'-6"	
	D	4	4'-8"		
	E	5	14'-8"		
	G	3	2'-0"	1'-3"	
	H	3	21		
	I	4	4'-8"	3'-2"	3'-2"
	J	5	3'-2"	1'-3"	
	K	4	2'-3"		
	L	4	4'-3"		
	M	5	4'-3"	3'-2"	3'-9"

SEE DIAGRAM FOR DIMENSIONS



RECORD DRAWING



DATE	DESCRIPTION	REF NO.				
10/3/97	ISSUED FOR CONSTRUCTION	N/A				
7/14/97	ISSUED FOR BID	N/A				
STORM WATER DETAILS						
ADDISON CIRCLE						
PHASE II PUBLIC INFRASTRUCTURE						
TOWN OF ADDISON, TEXAS						
Huitt-Zollars, Inc./Engineering/Architecture Dallas, Fort Worth, Houston, El Paso, Phoenix, Tustin, Ontario						
DESIGN	DRAWN	APPR.	SCALE	DATE	PROJECT NO.	NO.
HZI	HZI	DEM	N.T.S.	JUN. 97	01-1822-21	SW27

1. ALL DIMENSIONS ARE IN FEET AND INCHES UNLESS OTHERWISE SPECIFIED.
 2. DIMENSIONS TO FACE UNLESS OTHERWISE SPECIFIED.
 3. DIMENSIONS TO CENTERLINE UNLESS OTHERWISE SPECIFIED.
 4. DIMENSIONS TO SURFACE UNLESS OTHERWISE SPECIFIED.
 5. DIMENSIONS TO CENTERLINE OF CURB UNLESS OTHERWISE SPECIFIED.
 6. DIMENSIONS TO CENTERLINE OF INLET UNLESS OTHERWISE SPECIFIED.
 7. DIMENSIONS TO CENTERLINE OF MANHOLE UNLESS OTHERWISE SPECIFIED.
 8. DIMENSIONS TO CENTERLINE OF DUCT UNLESS OTHERWISE SPECIFIED.
 9. DIMENSIONS TO CENTERLINE OF TRENCH UNLESS OTHERWISE SPECIFIED.
 10. DIMENSIONS TO CENTERLINE OF ROAD UNLESS OTHERWISE SPECIFIED.
 11. DIMENSIONS TO CENTERLINE OF SIDEWALK UNLESS OTHERWISE SPECIFIED.
 12. DIMENSIONS TO CENTERLINE OF PLAZA UNLESS OTHERWISE SPECIFIED.
 13. DIMENSIONS TO CENTERLINE OF PARK UNLESS OTHERWISE SPECIFIED.
 14. DIMENSIONS TO CENTERLINE OF FIELD UNLESS OTHERWISE SPECIFIED.
 15. DIMENSIONS TO CENTERLINE OF WATERWAY UNLESS OTHERWISE SPECIFIED.
 16. DIMENSIONS TO CENTERLINE OF AIRWAY UNLESS OTHERWISE SPECIFIED.
 17. DIMENSIONS TO CENTERLINE OF RAILROAD UNLESS OTHERWISE SPECIFIED.
 18. DIMENSIONS TO CENTERLINE OF CANAL UNLESS OTHERWISE SPECIFIED.
 19. DIMENSIONS TO CENTERLINE OF DRAINAGE CANAL UNLESS OTHERWISE SPECIFIED.
 20. DIMENSIONS TO CENTERLINE OF IRRIGATION CANAL UNLESS OTHERWISE SPECIFIED.
 21. DIMENSIONS TO CENTERLINE OF FLOOD CONTROL CANAL UNLESS OTHERWISE SPECIFIED.
 22. DIMENSIONS TO CENTERLINE OF WASTE WATER CANAL UNLESS OTHERWISE SPECIFIED.
 23. DIMENSIONS TO CENTERLINE OF SEWER CANAL UNLESS OTHERWISE SPECIFIED.
 24. DIMENSIONS TO CENTERLINE OF STORM SEWER CANAL UNLESS OTHERWISE SPECIFIED.
 25. DIMENSIONS TO CENTERLINE OF TRUNK SEWER CANAL UNLESS OTHERWISE SPECIFIED.
 26. DIMENSIONS TO CENTERLINE OF MAIN SEWER CANAL UNLESS OTHERWISE SPECIFIED.
 27. DIMENSIONS TO CENTERLINE OF BRANCH SEWER CANAL UNLESS OTHERWISE SPECIFIED.
 28. DIMENSIONS TO CENTERLINE OF LATERAL SEWER CANAL UNLESS OTHERWISE SPECIFIED.
 29. DIMENSIONS TO CENTERLINE OF SANITARY SEWER CANAL UNLESS OTHERWISE SPECIFIED.
 30. DIMENSIONS TO CENTERLINE OF POTABLE WATER CANAL UNLESS OTHERWISE SPECIFIED.
 31. DIMENSIONS TO CENTERLINE OF FIRE WATER CANAL UNLESS OTHERWISE SPECIFIED.
 32. DIMENSIONS TO CENTERLINE OF INDUSTRIAL WATER CANAL UNLESS OTHERWISE SPECIFIED.
 33. DIMENSIONS TO CENTERLINE OF THERMAL WATER CANAL UNLESS OTHERWISE SPECIFIED.
 34. DIMENSIONS TO CENTERLINE OF COOLING WATER CANAL UNLESS OTHERWISE SPECIFIED.
 35. DIMENSIONS TO CENTERLINE OF CONDENSATE WATER CANAL UNLESS OTHERWISE SPECIFIED.
 36. DIMENSIONS TO CENTERLINE OF WASTE WATER CANAL UNLESS OTHERWISE SPECIFIED.
 37. DIMENSIONS TO CENTERLINE OF GREASE WATER CANAL UNLESS OTHERWISE SPECIFIED.
 38. DIMENSIONS TO CENTERLINE OF OIL WATER CANAL UNLESS OTHERWISE SPECIFIED.
 39. DIMENSIONS TO CENTERLINE OF ACID WATER CANAL UNLESS OTHERWISE SPECIFIED.
 40. DIMENSIONS TO CENTERLINE OF ALKALI WATER CANAL UNLESS OTHERWISE SPECIFIED.
 41. DIMENSIONS TO CENTERLINE OF TOXIC WATER CANAL UNLESS OTHERWISE SPECIFIED.
 42. DIMENSIONS TO CENTERLINE OF RADIOACTIVE WATER CANAL UNLESS OTHERWISE SPECIFIED.
 43. DIMENSIONS TO CENTERLINE OF OTHER HAZARDOUS WATER CANAL UNLESS OTHERWISE SPECIFIED.
 44. DIMENSIONS TO CENTERLINE OF ALL OTHER CANALS UNLESS OTHERWISE SPECIFIED.
 45. DIMENSIONS TO CENTERLINE OF ALL OTHER STRUCTURES UNLESS OTHERWISE SPECIFIED.
 46. DIMENSIONS TO CENTERLINE OF ALL OTHER EQUIPMENT UNLESS OTHERWISE SPECIFIED.
 47. DIMENSIONS TO CENTERLINE OF ALL OTHER MATERIALS UNLESS OTHERWISE SPECIFIED.
 48. DIMENSIONS TO CENTERLINE OF ALL OTHER SERVICES UNLESS OTHERWISE SPECIFIED.
 49. DIMENSIONS TO CENTERLINE OF ALL OTHER UTILITIES UNLESS OTHERWISE SPECIFIED.
 50. DIMENSIONS TO CENTERLINE OF ALL OTHER FEATURES UNLESS OTHERWISE SPECIFIED.