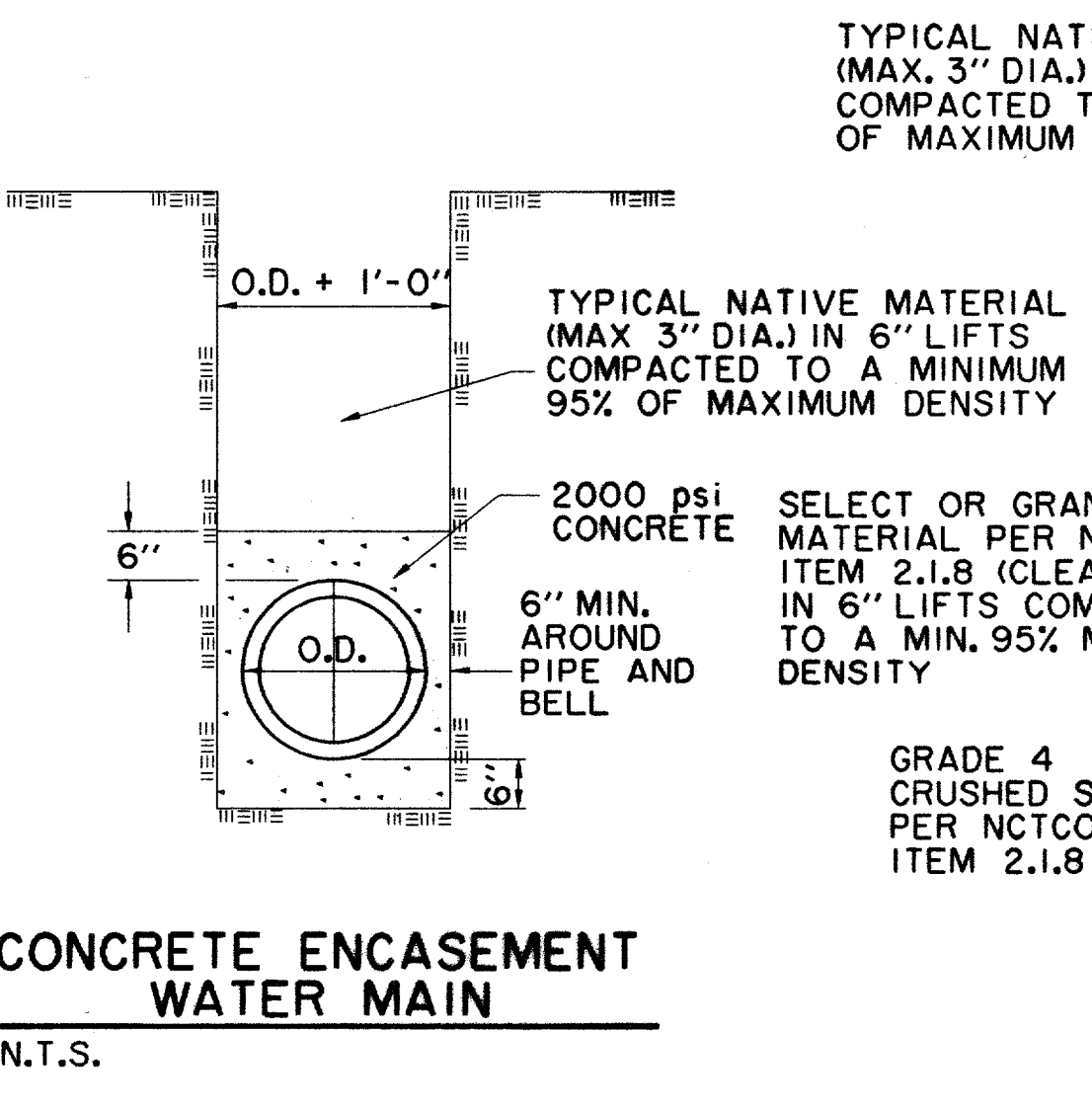
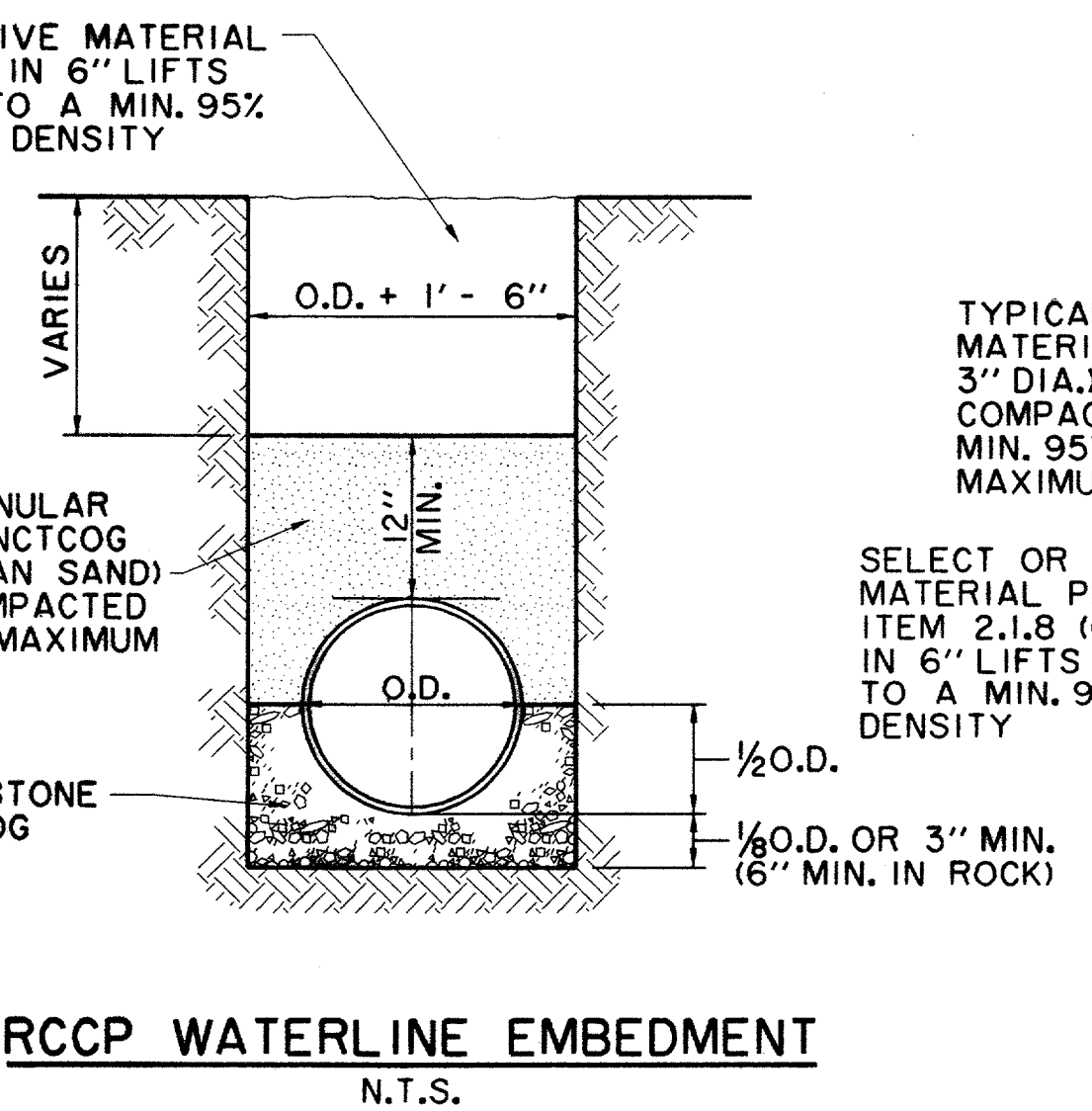


NOTE:
THE TAPPING SADDLE AND CORPORATION STOP MUST BE POLY-WRAPPED (8 MIL) AND HAND BACKFILLED WITH SAND TO A DEPTH OF 12". CAUTION!! INSPECTION MUST BE CALLED FOR AND COMPLETED PRIOR TO BACKFILL OR TAP MUST BE RE-EXPOSED BY THE CONTRACTOR FOR INSPECTION BY THE TOWN.

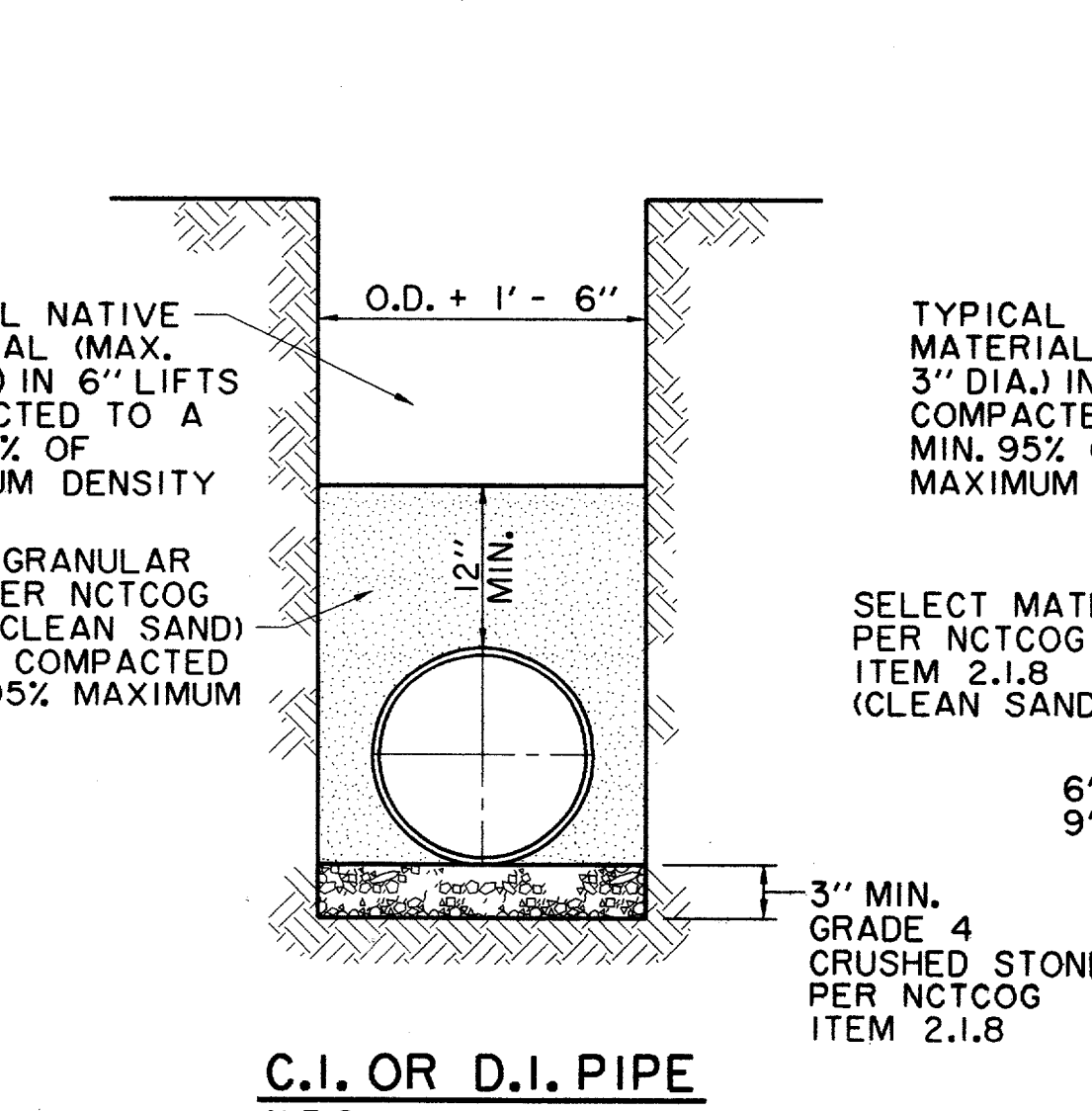
TYPICAL WATER SERVICE DETAIL UP TO 2" METER
N.T.S.



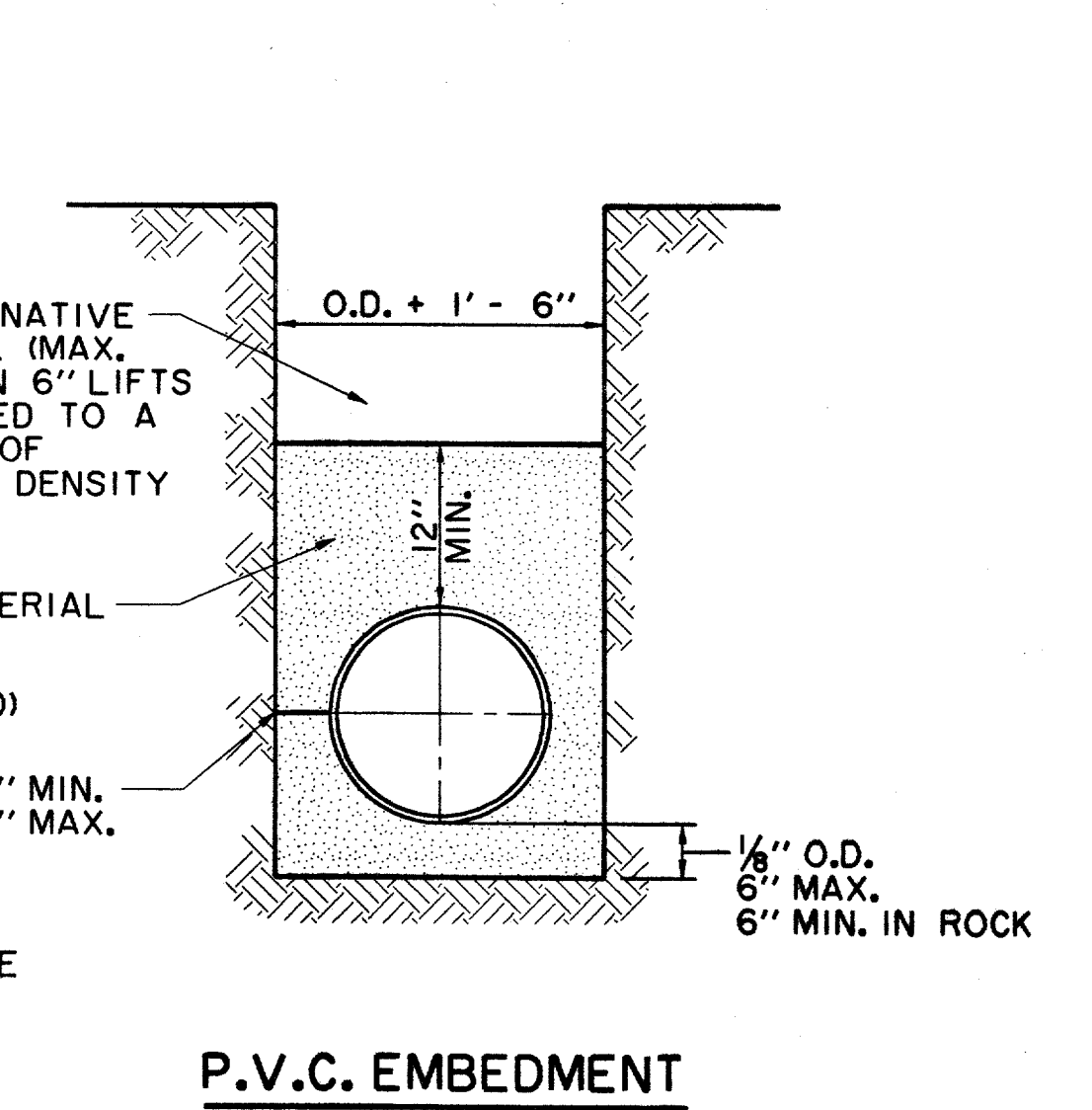
CONCRETE ENCASEMENT WATER MAIN
N.T.S.



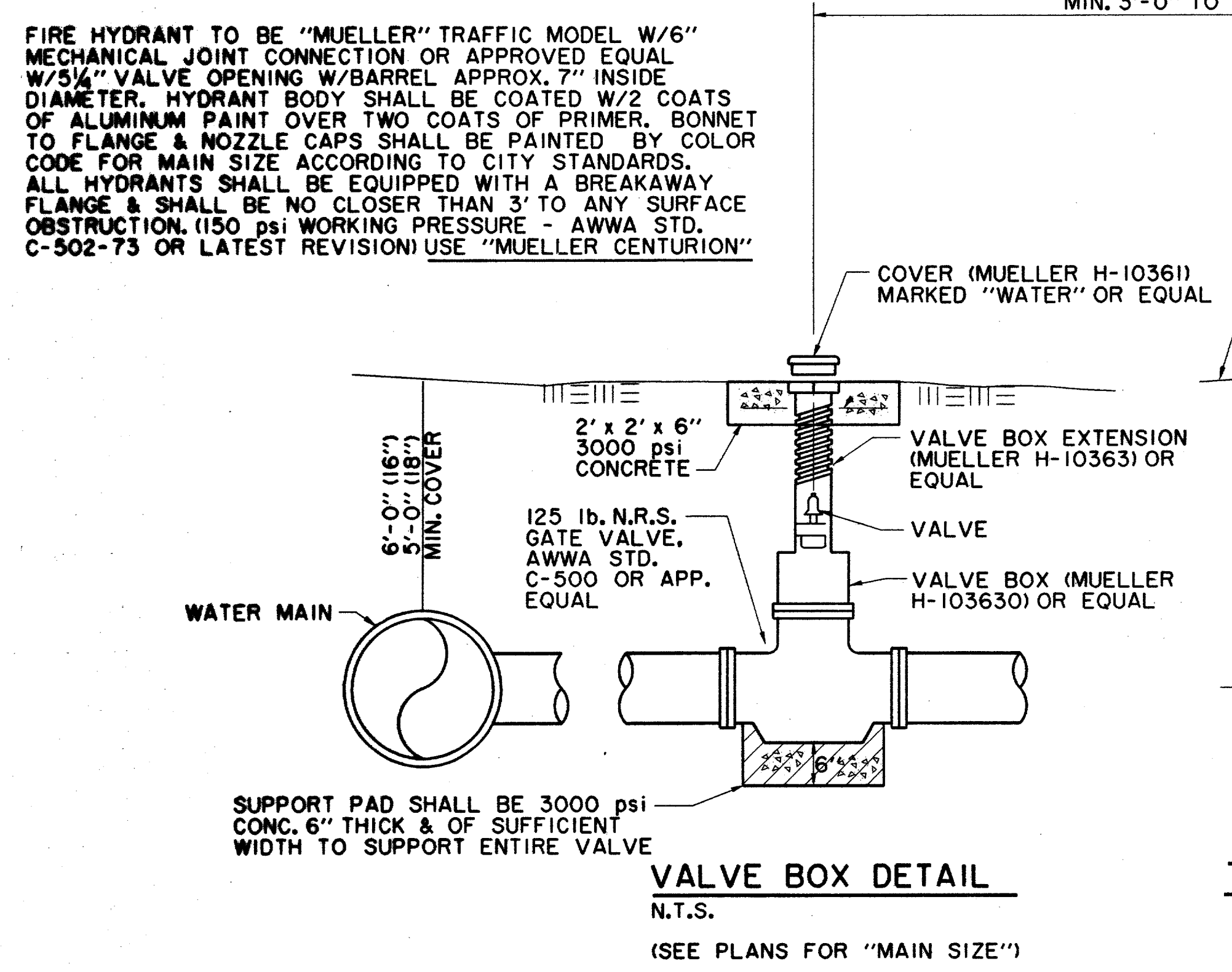
RCCP WATERLINE EMBEDMENT
N.T.S.



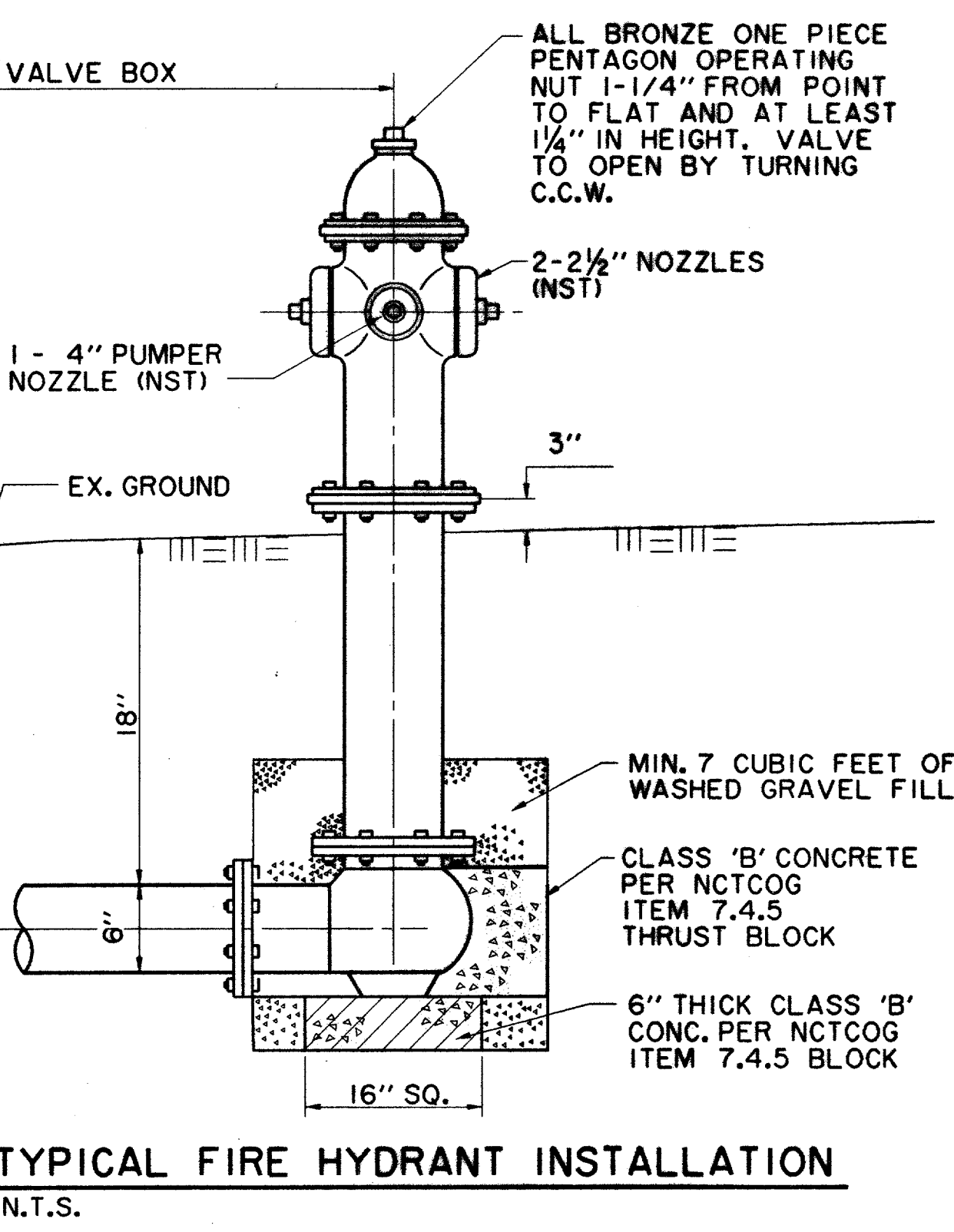
C.I. OR D.I. PIPE
N.T.S.



P.V.C. EMBEDMENT
N.T.S.

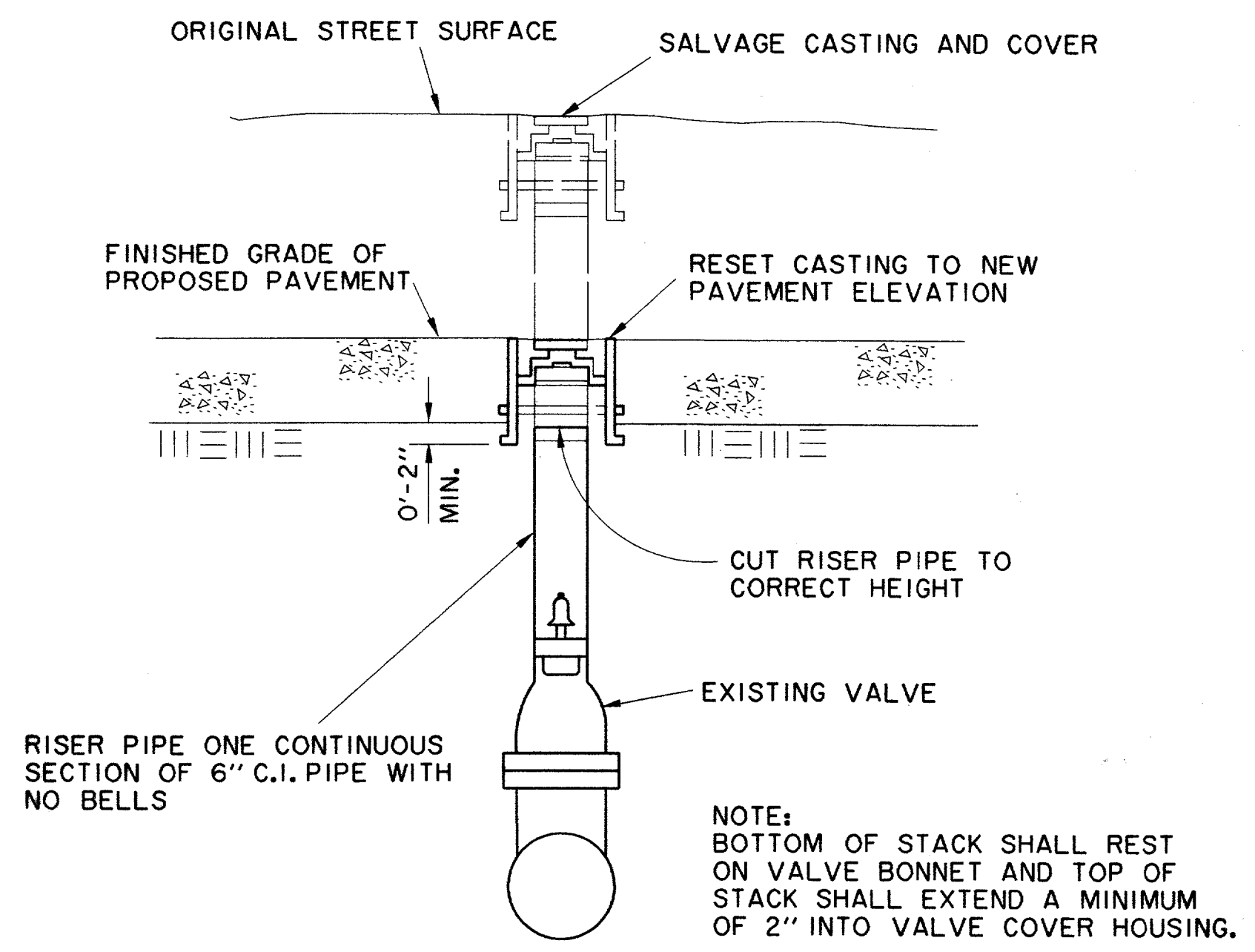


- GATE VALVES AND VALVE BOXES:**
- GATE VALVES SHALL BE IRON BODY, BRONZE OR BRASS MOUNTED, NON-RISING STEM, PARALLEL SEAT TYPE. VALVES SHALL BE OF EQUAL OR GREATER PRESSURE CLASS THAN THE PIPING IN WHICH THEY ARE TO BE INSTALLED.
 - VALVE BOXES SHALL BE CAST IRON AND SHALL BE OF SUFFICIENT LENGTH AND DIAMETER TO OPERATE ALL VALVES BURIED IN THE GROUND. COVERS SHALL BE MARKED 'WATER'. THE BOXES SHALL REST ON THE VALVE AND BE ADJUSTED SO THAT THE COVER MAY SET FLUSH WITH THE FINISHED GRADE.

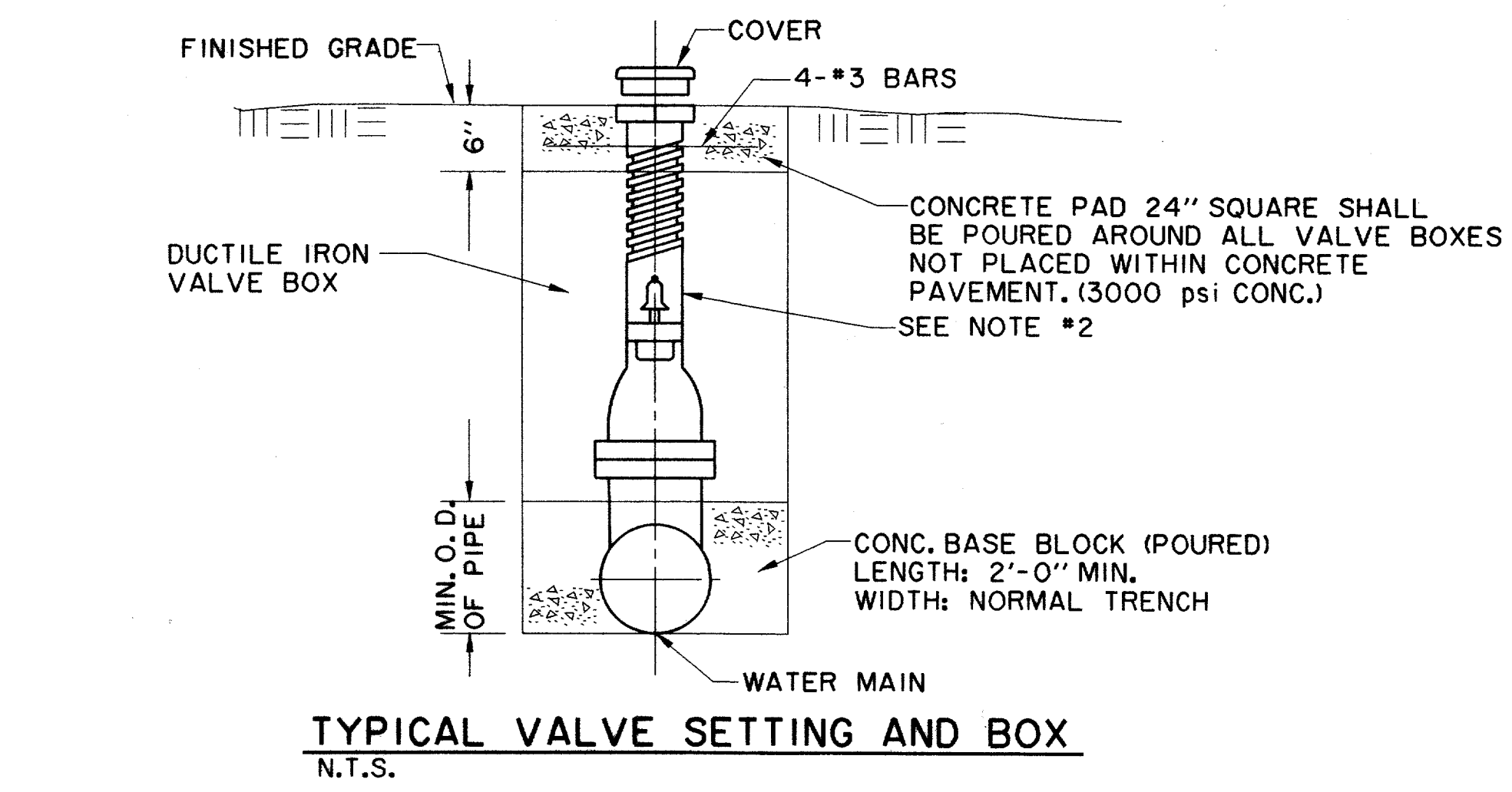


TYPICAL FIRE HYDRANT INSTALLATION
N.T.S.

- GENERAL NOTES:**
- ¢ OF F.H. BARREL SHALL BE NOT LESS THAN 6.0' OR MORE THAN 9.0' FROM BACK OF CURB OR EDGE OF DRIVING LANE.
 - DO NOT SET F.H. IN AN EXISTING OR PROPOSED SIDEWALK, UNLESS OTHERWISE NOTED.
 - ALL F.H. TEES SHALL BE M.J. WITH ANCHORING ON THE BRANCH WITH M.J., M.J. 6" VALVE.
 - SET F.H. ON THE LOT LINE EXTENDED WHEN POSSIBLE. (NOT APPLICABLE TO THIS PROJECT)
 - SEE SPECIFICATION FH-95-1 FOR ADDITIONAL REQUIREMENTS.



VALVE COVER AND RISER PIPE ADJUSTMENT
N.T.S.



- NOTES:**
- GATE VALVES SHALL BE IN ACCORDANCE WITH AWWA STANDARD C-509-80 OR LATEST THEREOF. ALL VALVES SHALL BE 'MUELLER' OR APPROVED EQUAL.
 - A PERMANENTLY ATTACHED VALVE EXTENSION STEM SHALL BE REQUIRED FOR ANY VALVE ON WHICH THE OPERATING NUT IS LOCATED IN EXCESS OF 4 FEET BELOW THE TOP OF VALVE BOX. THIS EXTENSION SHALL BE OF SUFFICIENT LENGTH TO INSURE THAT ITS TOP IS WITHIN 4' OF VALVE BOX LID. MANUFACTURED VALVE STACK DUCTILE IRON PIPE TO BE USED FOR EXTENSION GREATER THAN 4'-0". BELL END OF STACK TO BE FITTED OVER VALVE. VALVE AND VALVE STACK IS TO BE POLY WRAPPED.
 - VALVES SHALL BE OF DUCTILE IRON W/RUBBER ENCAPSULATED DISK. BOLTS SHALL BE STAINLESS STEEL OF SAME SIZE ON EACH VALVE.

THE SEAL APPEARING ON THIS DOCUMENT WAS AUTHORIZED BY DAVID E. MEYERS, P.E. 81512

RECORD DRAWING

DATE	DESCRIPTION	REF. NO.
10/3/97	ISSUED FOR CONSTRUCTION	N/A
7/14/97	ISSUED FOR BID	N/A

WATER DETAILS

ADDISON CIRCLE

PHASE II PUBLIC INFRASTRUCTURE

TOWN OF ADDISON, TEXAS

Hult-Zollars, Inc./Engineering/Architecture
Dallas, Fort Worth, Houston, El Paso, Phoenix, Tustin, Ontario

DESIGN	DRAWN	APPR.	SCALE	DATE	PROJECT NO.	NO.
HZI	HZI	DEM	N.T.S.	OCT. 97	01-1822-21	W14