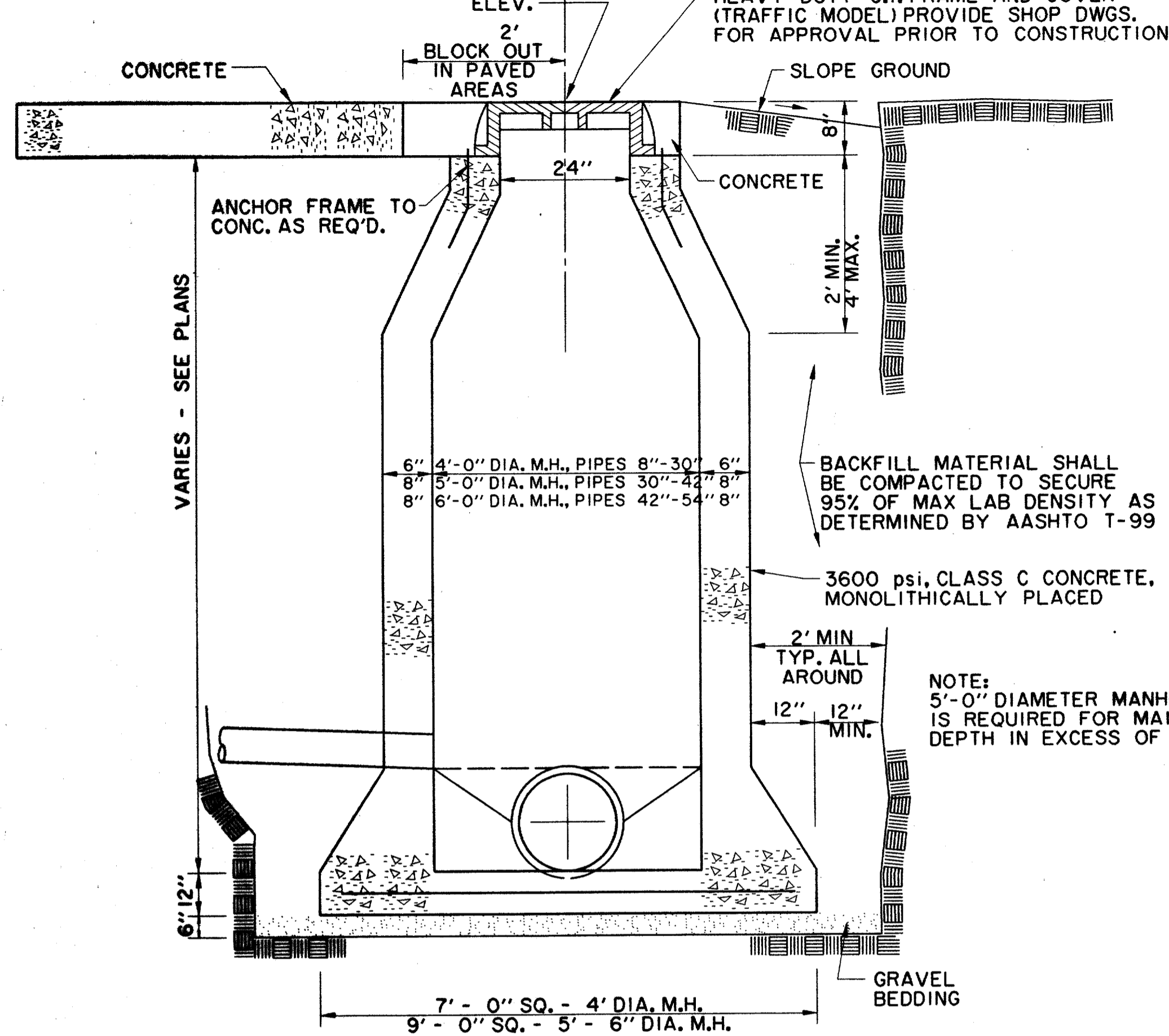
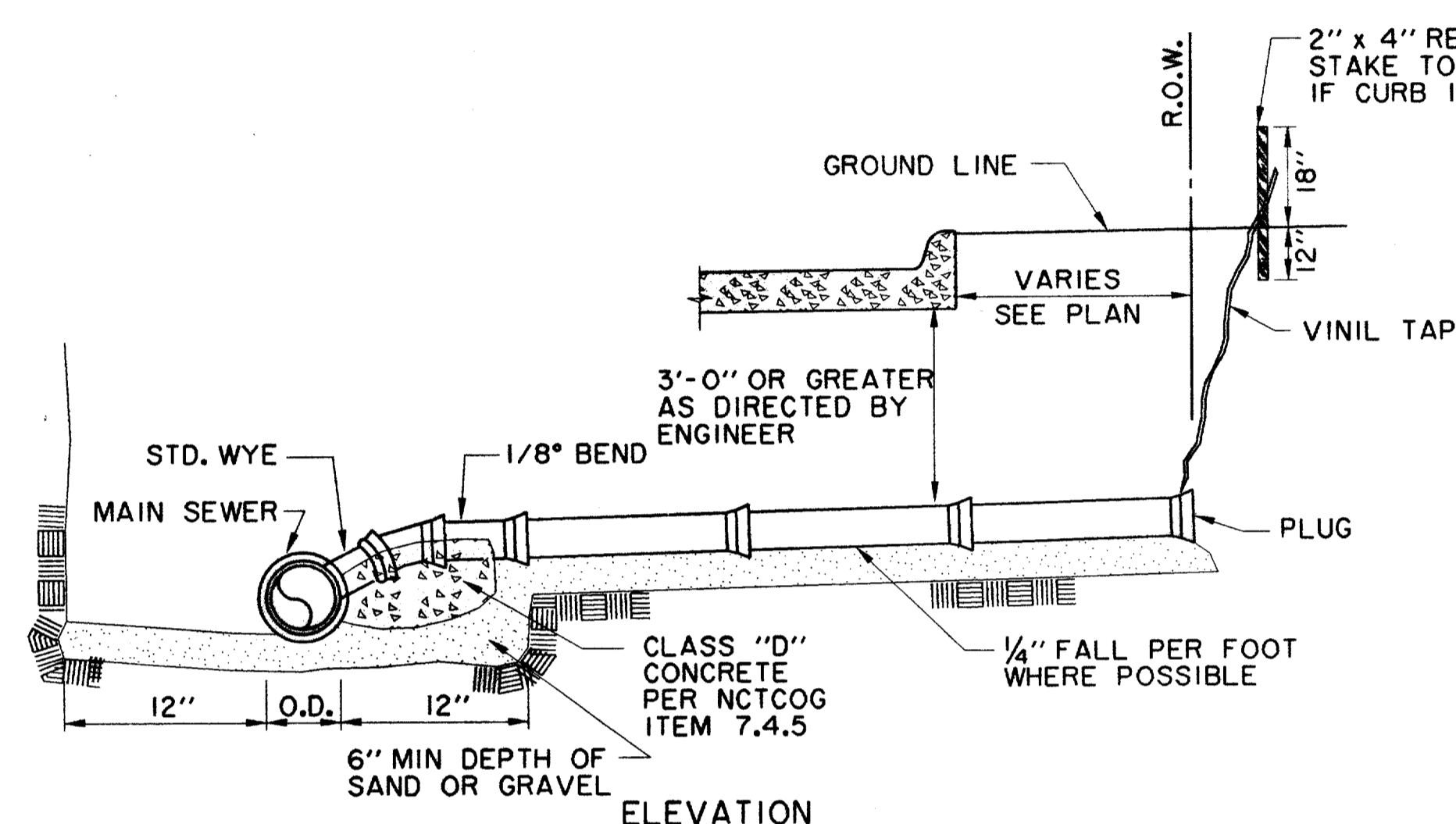
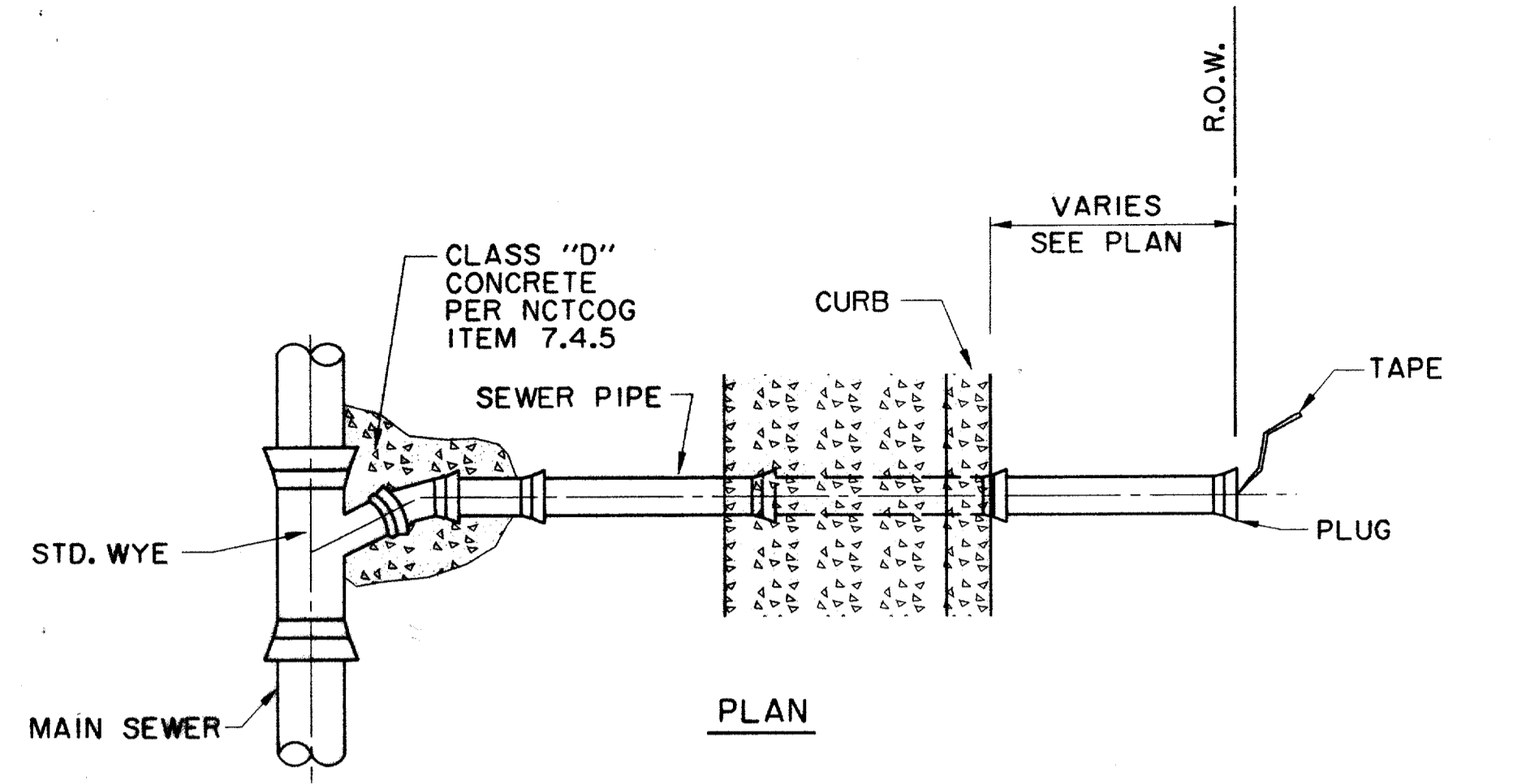


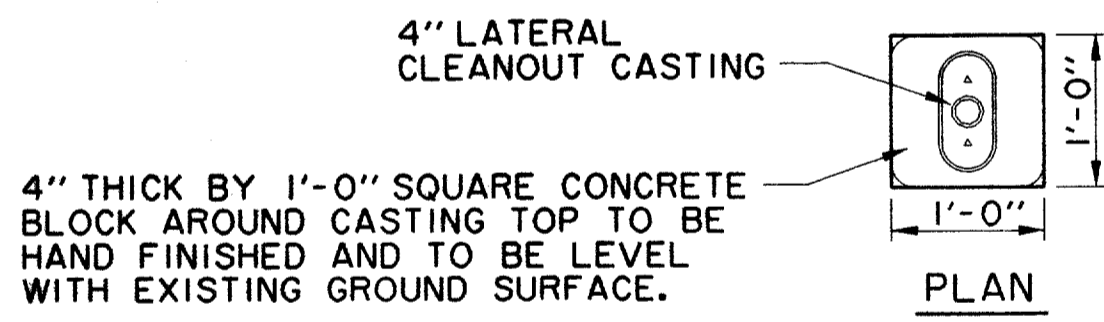
TYPICAL PAVED AREAS **TYPICAL GRASSED AREAS**



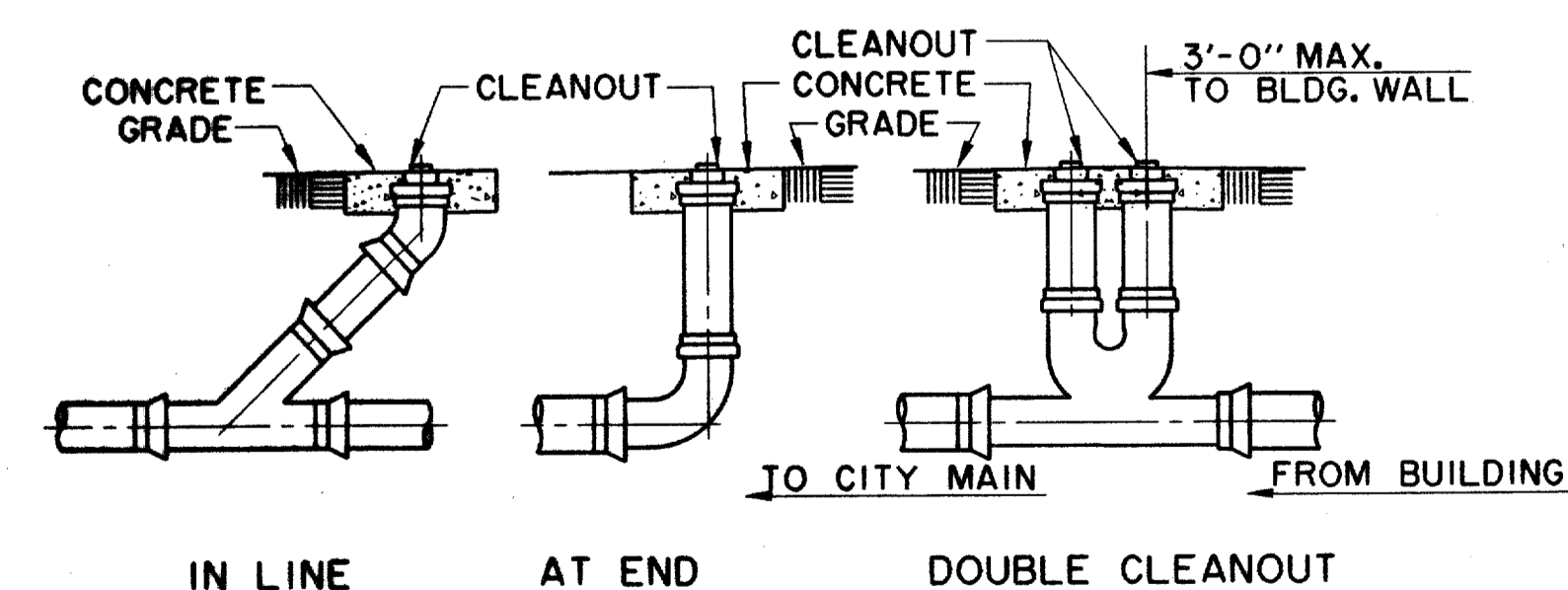
CAST IN PLACE MANHOLE
WHERE DROP M.H. IS REQUIRED, USE INSIDE DROP CONNECTION AS PER TOWN OF ADDISON STANDARDS.



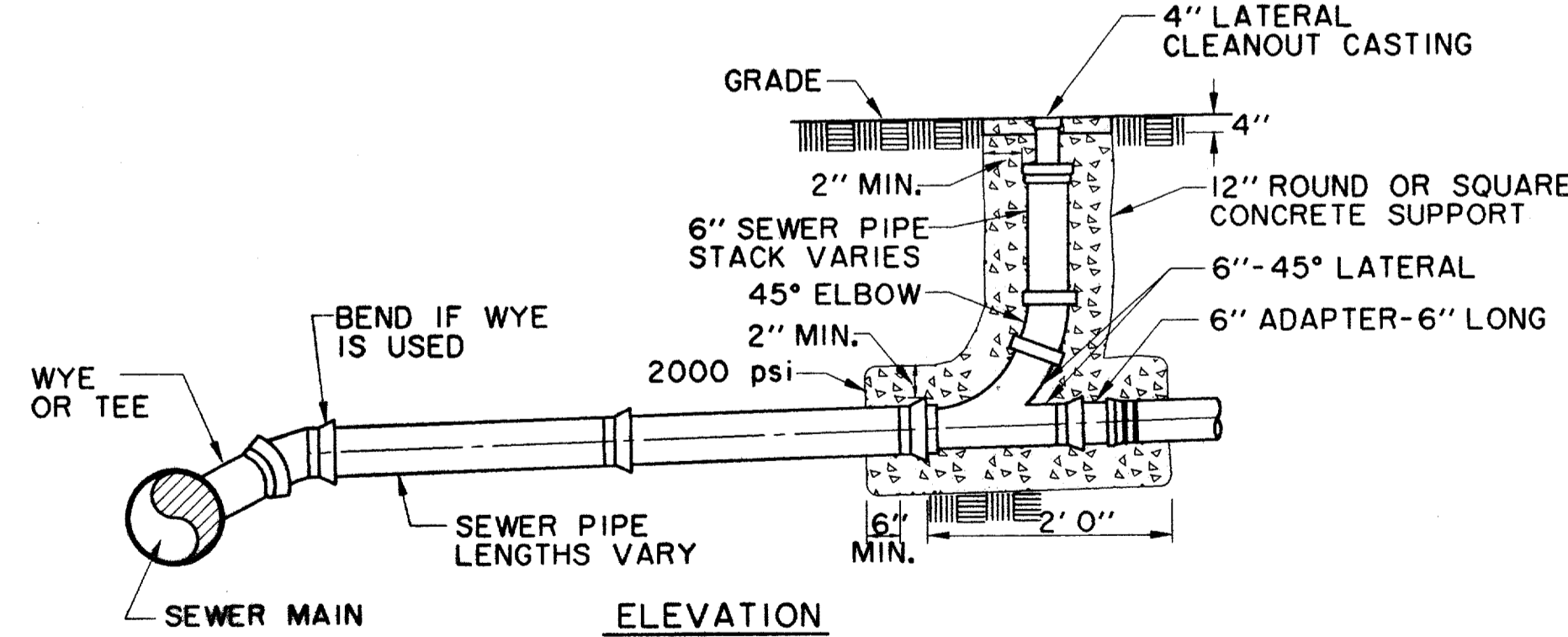
SANITARY SEWER SERVICE CONNECTION
NTS



4" LATERAL CLEANOUT CASTING



TYPICAL CLEANOUTS



SANITARY SEWER CLEANOUT DETAIL
NTS

PVC SANITARY SEWER PIPE TO BE SDR 35 OR SDR 26 (AS NOTED ON PLANS) WITH INTEGRAL BELL. IT SHALL BE THE RESPONSIBILITY OF THE CONTRACTOR TO FIELD LOCATE HORIZONTALLY EACH SERVICE IN RELATION TO THE SANITARY SEWER STATIONING.

FIELD TIES ARE TO BE INCLUDED AND RECORDED ON ALUMINIZED SANITARY SEWER TAPE. THIS TAPE, GREEN OR RED IN COLOR IS TO BE ATTACHED TO THE 6" SERVICE AT THE R.O.W. LINE AND BROUGHT TO THE SURFACE TO BE USED AS A PERMANENT MARKER.

THE SEAL APPEARING ON THIS DOCUMENT WAS AUTHORIZED BY DAVID E. MEYERS, P.E. 81512

RECORD DRAWING

DATE	DESCRIPTION	REF NO.
10/3/97	ISSUED FOR CONSTRUCTION	N/A
7/14/97	ISSUED FOR BID	N/A

WASTEWATER DETAILS						
ADDISON CIRCLE						
PHASE II PUBLIC INFRASTRUCTURE						
TOWN OF ADDISON, TEXAS						
Huitt-Zollars, Inc./Engineering/Architecture Dallas, Fort Worth, Houston, El Paso, Phoenix, Tustin, Ontario						
DESIGN	DRAWN	APPR.	SCALE	DATE	PROJECT NO.	NO.
HZ1	HZ1	DEM	N.T.S.	JUN. 97	01-1822-21	WW6