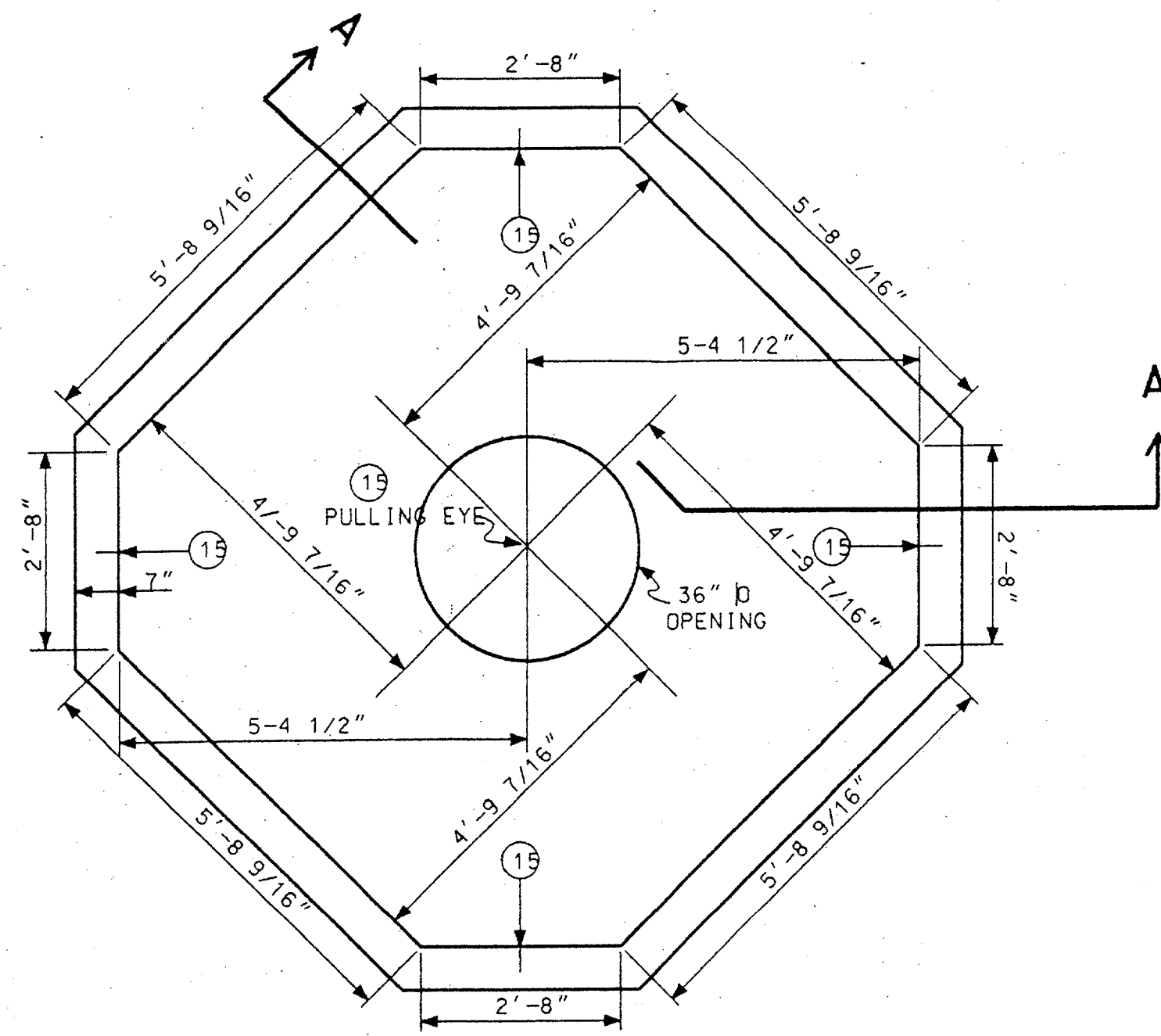
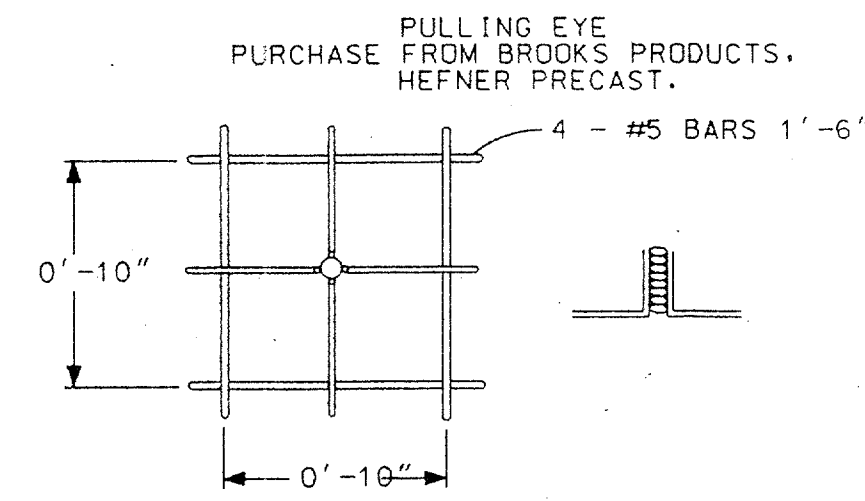


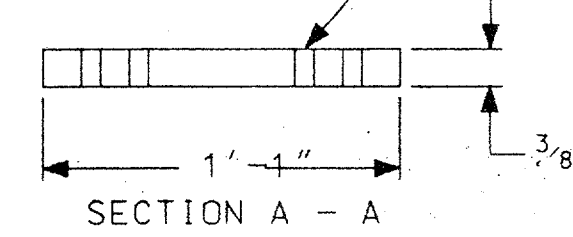
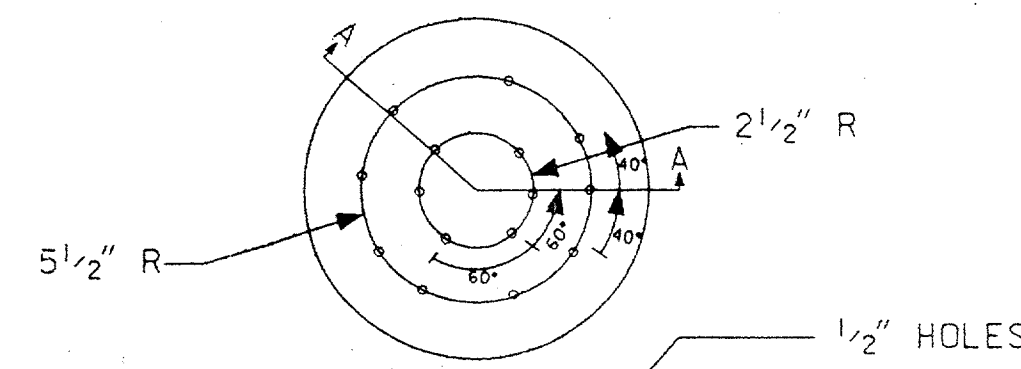
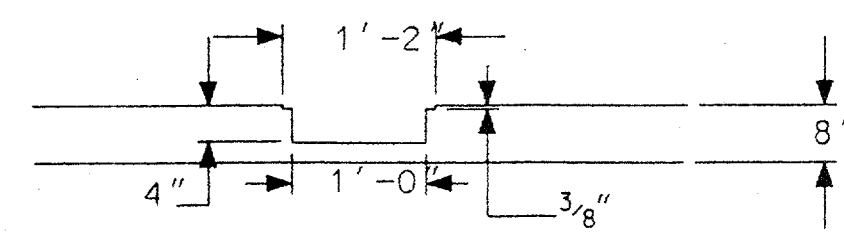
DETAIL # 5



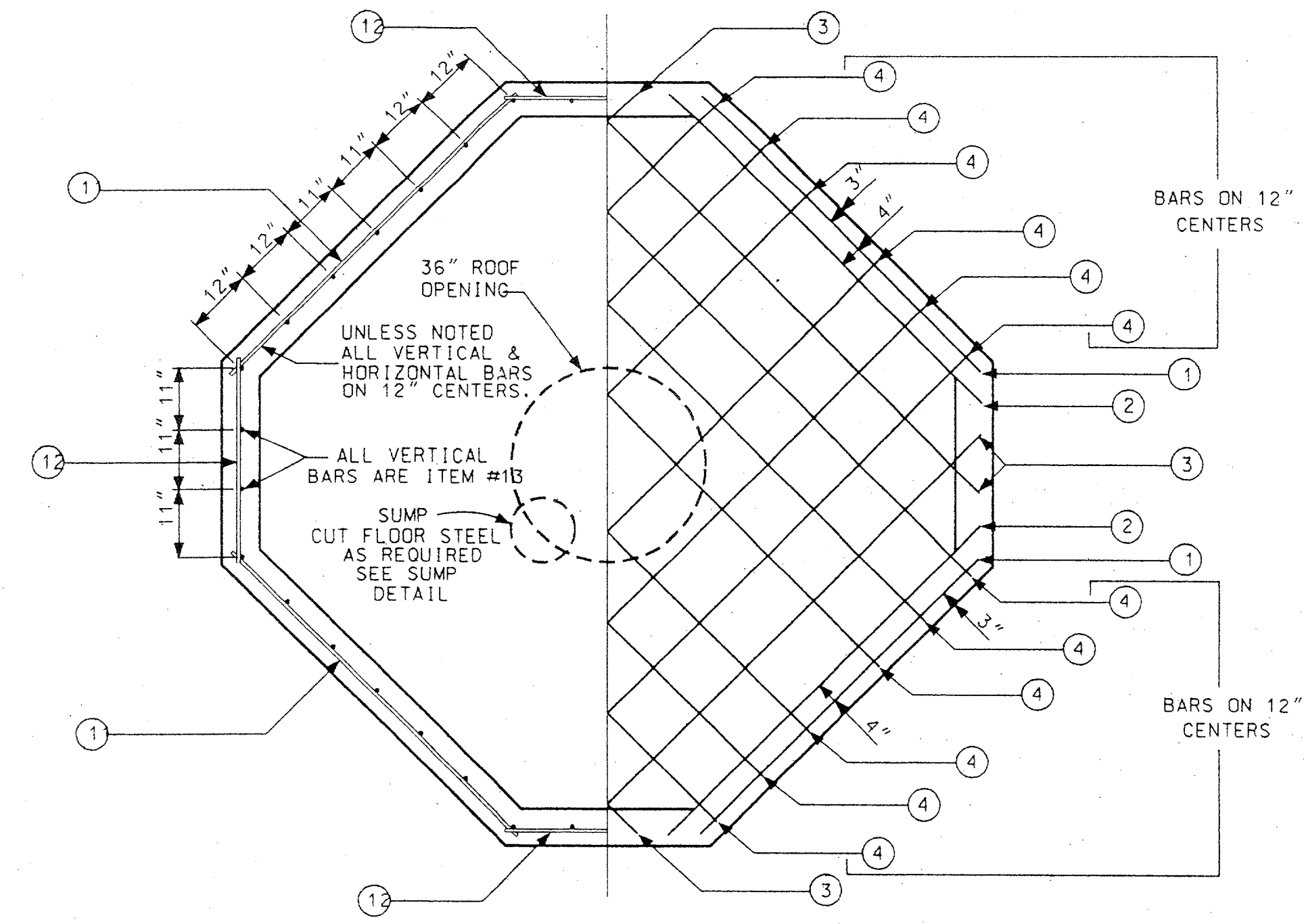
PLAN VIEW



PULLING EYE DETAIL
5 REQUIRED

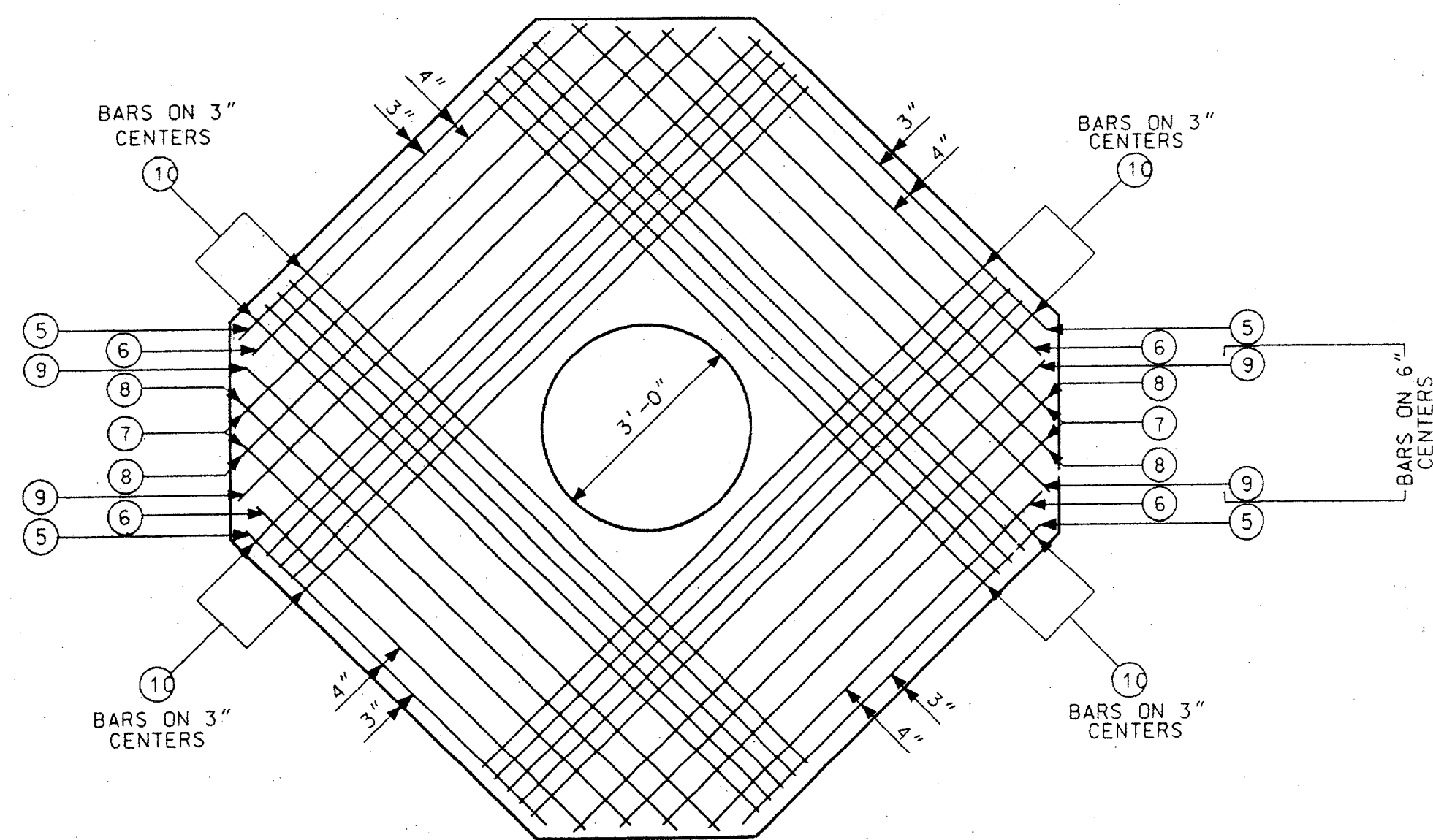


SUMP DETAIL

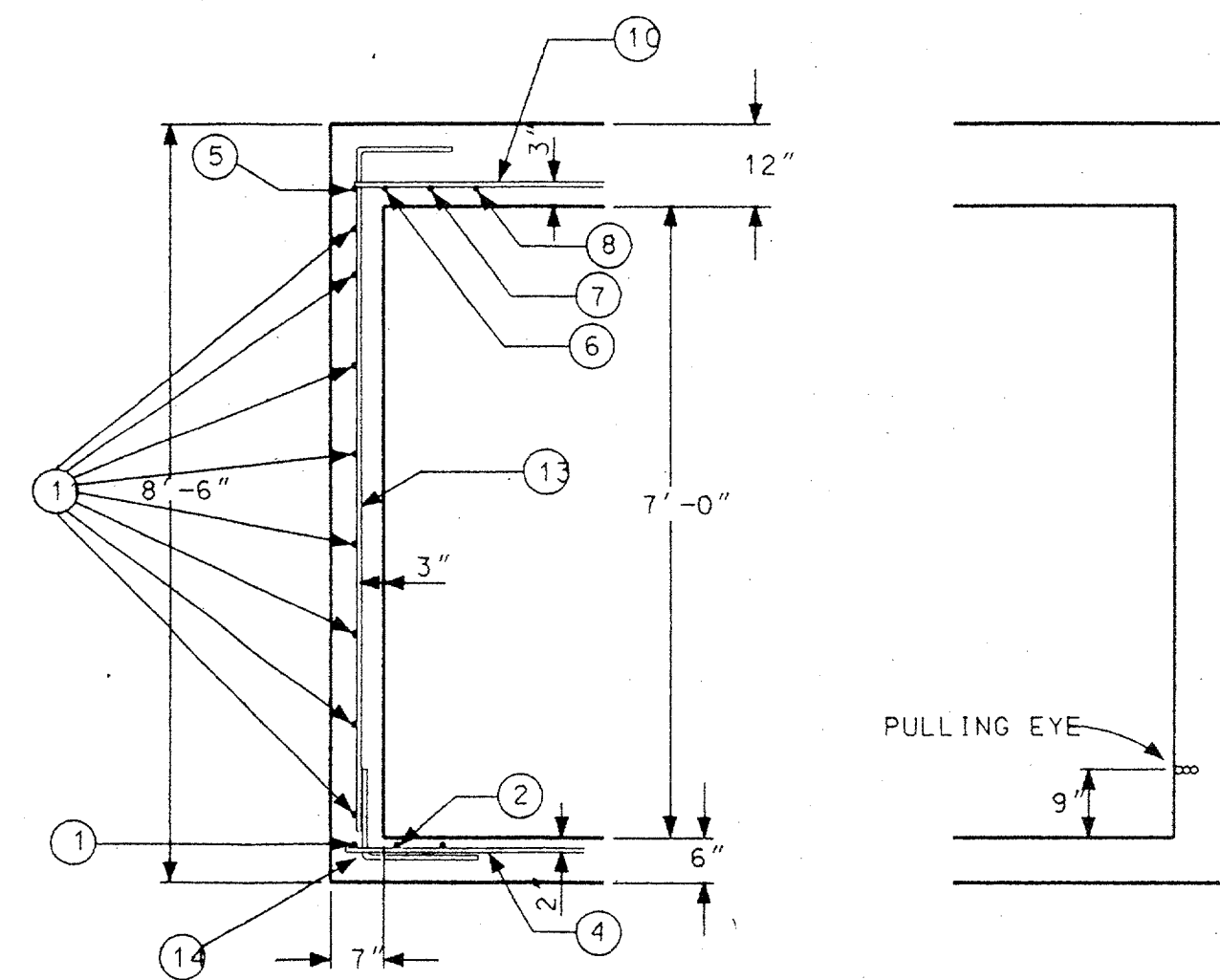


WALL STEEL

FLOOR STEEL



ROOF STEEL



SECTION A - A

MATERIALS FOR POURED IN PLACE MANHOLE

MARK	LENGTHS		QUANTITY				SHAPE	SIZE
	FT.	IN.	FLOOR	WALLS	ROOF	TOTAL		
1	6	1	4			24'-4"	ST.	#5
2	6	10	4			27'-4"	ST.	#5
3	8	10	4			35'-4"	ST.	#5
4	10	3	14			143'-6"	ST.	#5
5	6	1			4	24'-4"	ST.	#5
6	6	10			4	27'-4"	ST.	#5
7	7	10			4	31'-4"	ST.	#5
8	8	10			4	35'-4"	ST.	#5
9	9	10			4	39'-4"	ST.	#5
10	10	3			20	205'-0"	ST.	#5
11	6	3		32		200'-0"	ST.	#5
12	3	2		32		101'-4"	ST.	#5
13	8	9		36		315'-0"	7'-3"	#5
14	3	4	36			120'-0"	2'-1 1/4"	#5
15			1	4		5'-0"	PULLING EYE BOLT	1 1/2" X 6"
CONCRETE			1.94 CU.YD	35.35 CU.YD	3.85 CU.YD	11.14 CU.YD		3000 PSI
MANHOLE COVER & FRAME						1 EA.		3'-0" OPENING
VENDOR: WESTERN IRON WORKS, 21 EAST SIXTH ST. SAN ANGELO TX. 76903								
OR: HEFNER PRECAST, DIVISION OF BROOKS PRODUCTS, 2229 NORTH MAIN, CLEBURNE TX. 76031								
STEEL TO CONFORM TO THE LATEST STANDARD SPECIFICATION FOR DEFORMED BILLET-STEEL BARS FOR CONCRETE REINFORCEMENT.								
SEE DETAIL #9 FOR CONCRETE SPECIFICATION								
GENERAL NOTES SIMILAR TO TYPE "D" MANHOLE, SHEET #2.								

"TYPE - 4-WAY"
10'-9" X 10'-9" X 7'-0"

RECORD
DRAWING E7

W.A.	ESTIMATE	DWG TYPE	UNIT ID	REVISION DESCRIPTION	DATE	NO.	DATE	NO.	DATE