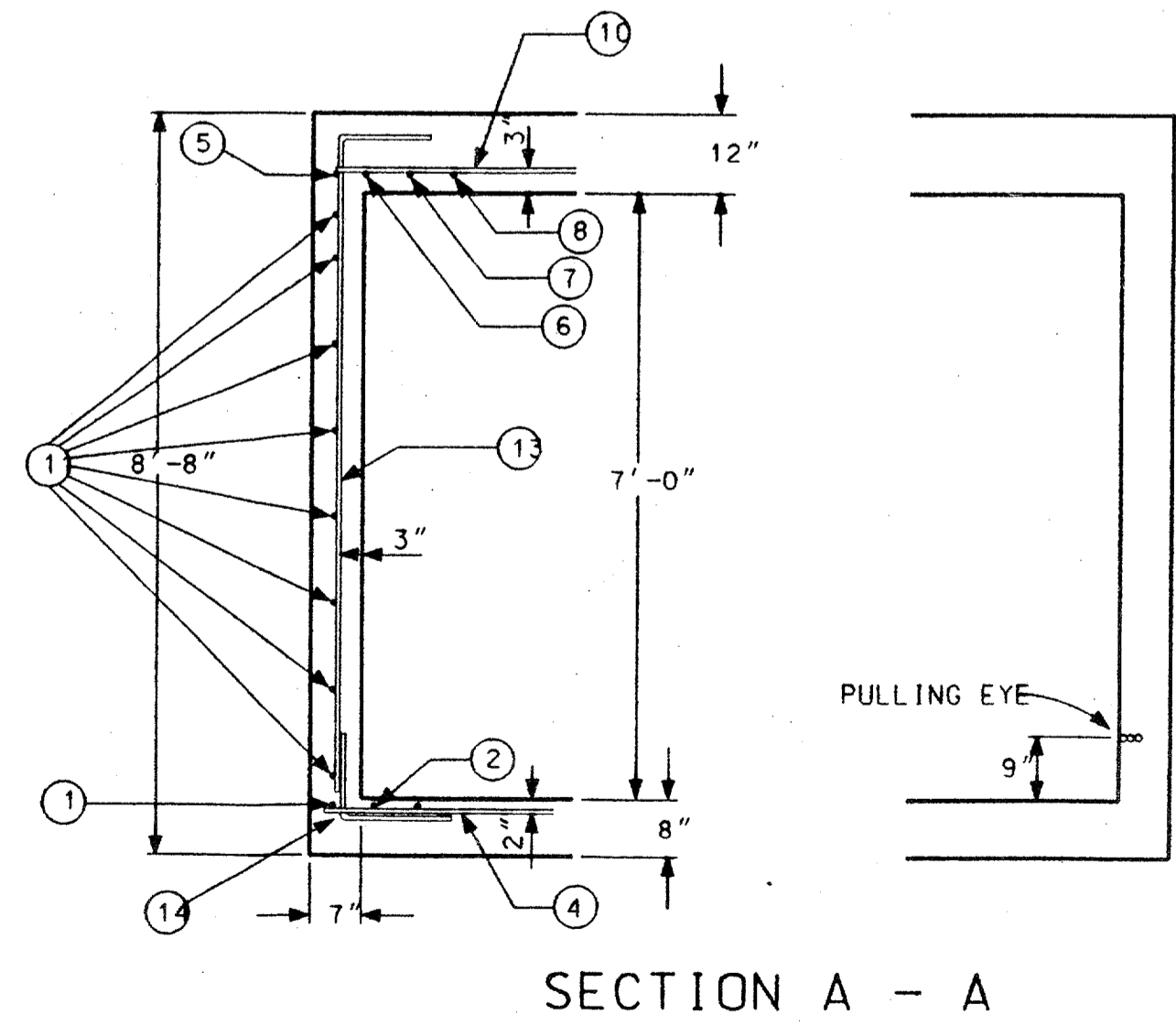
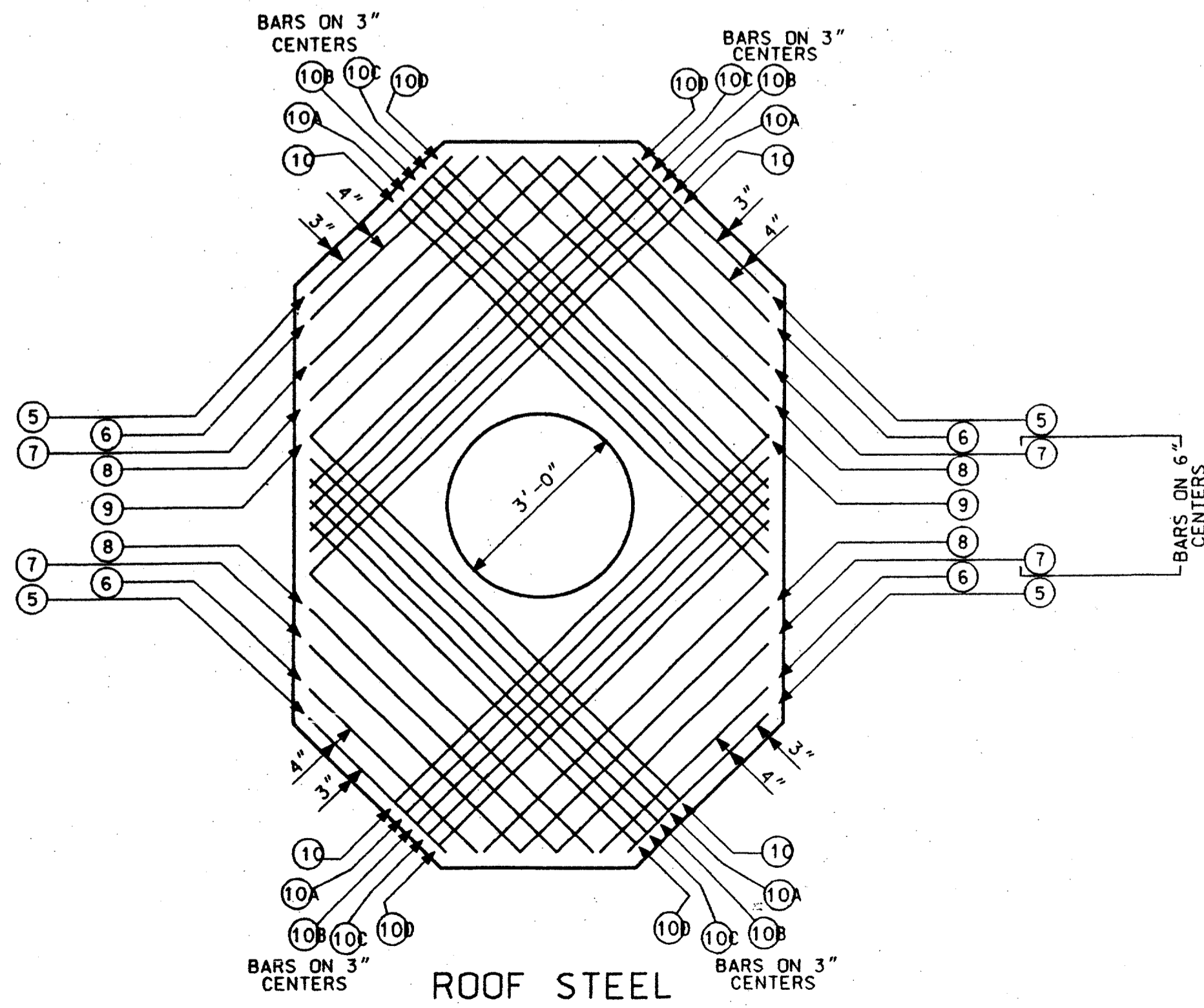
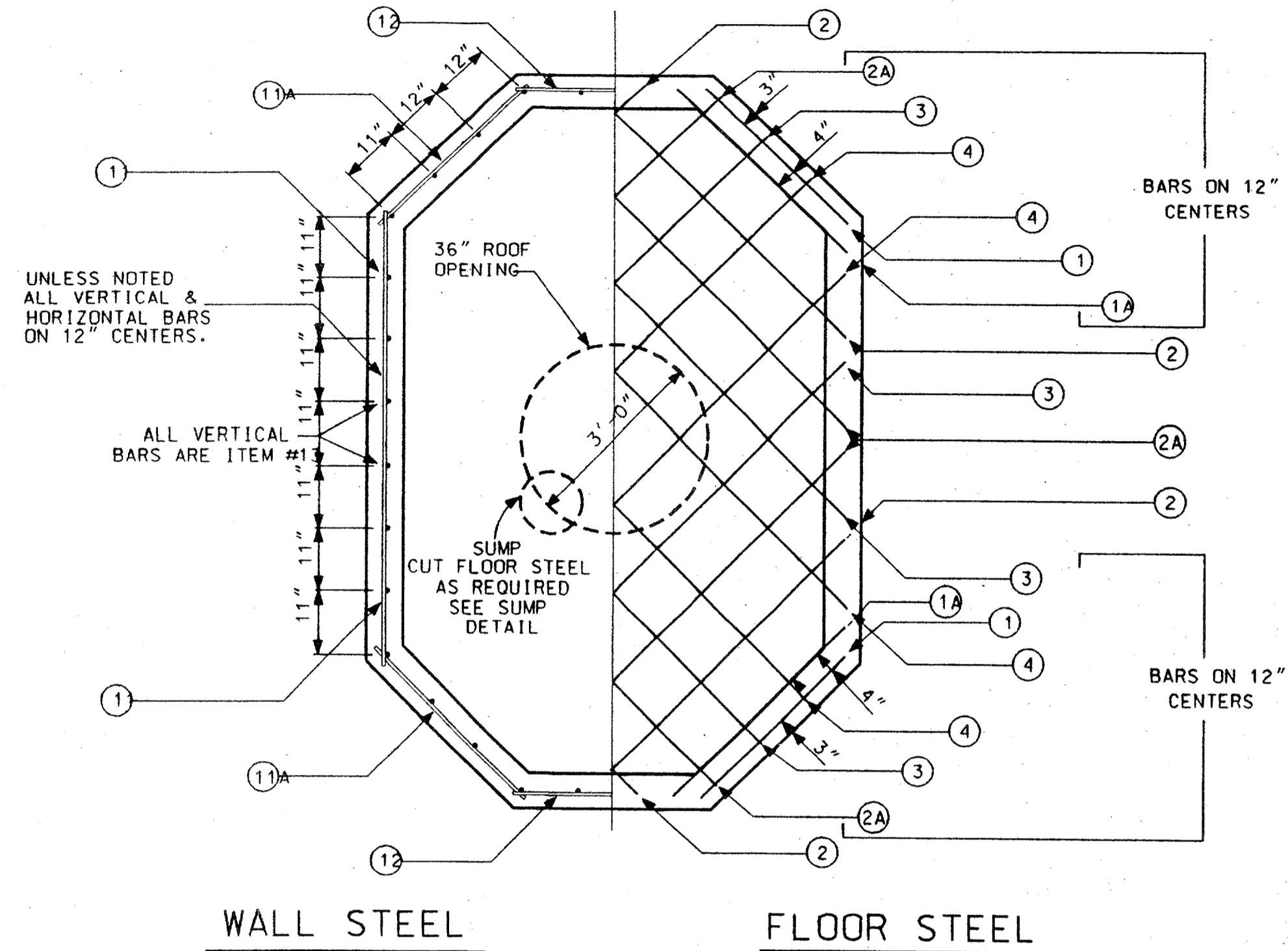
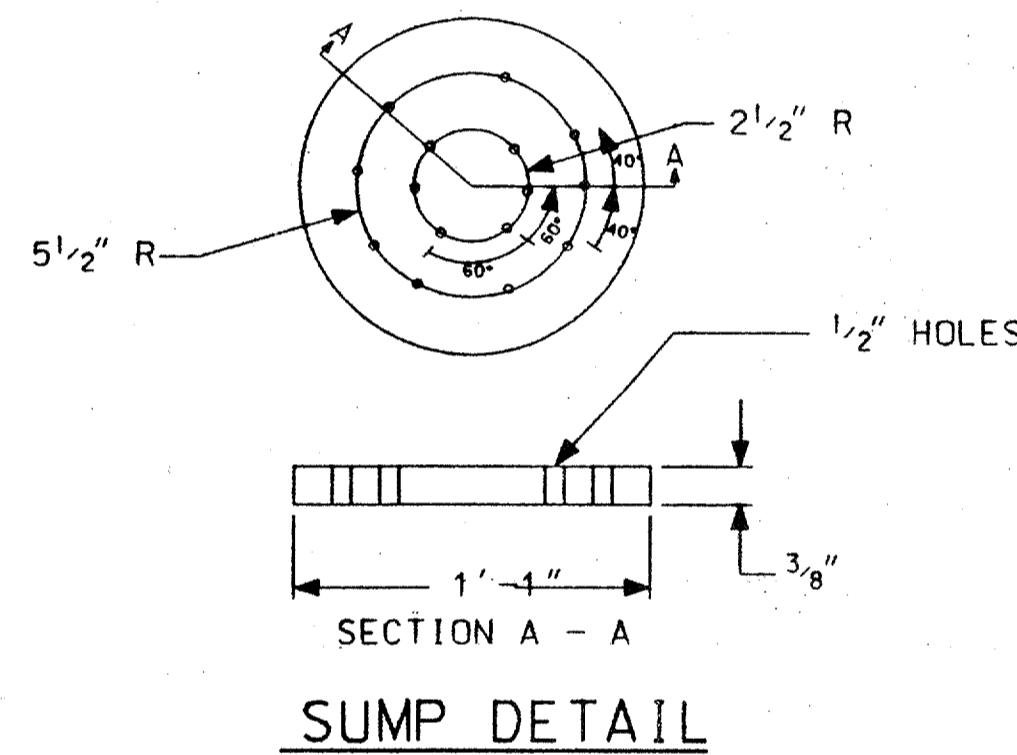
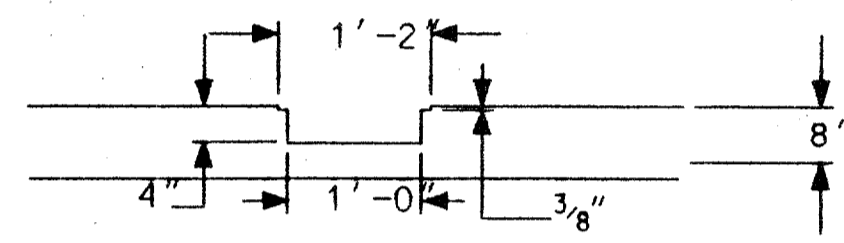
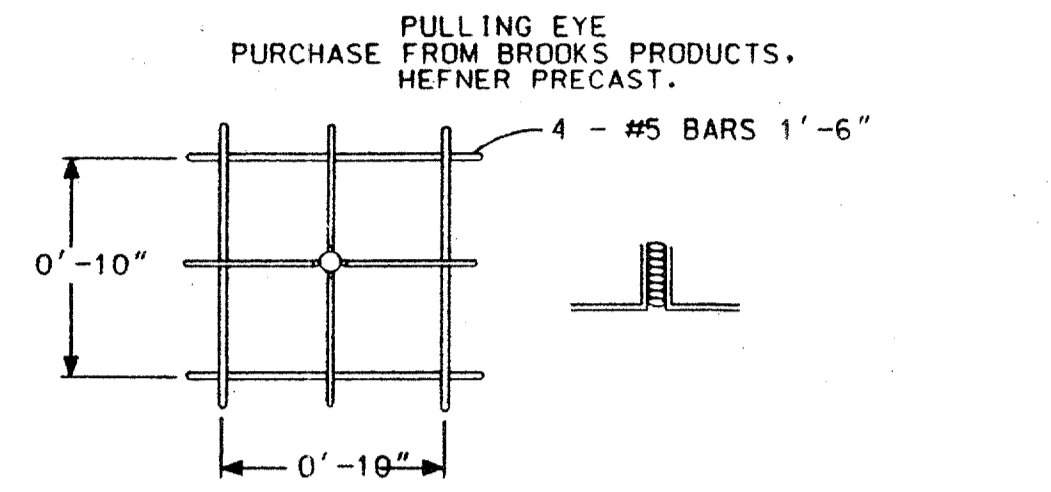
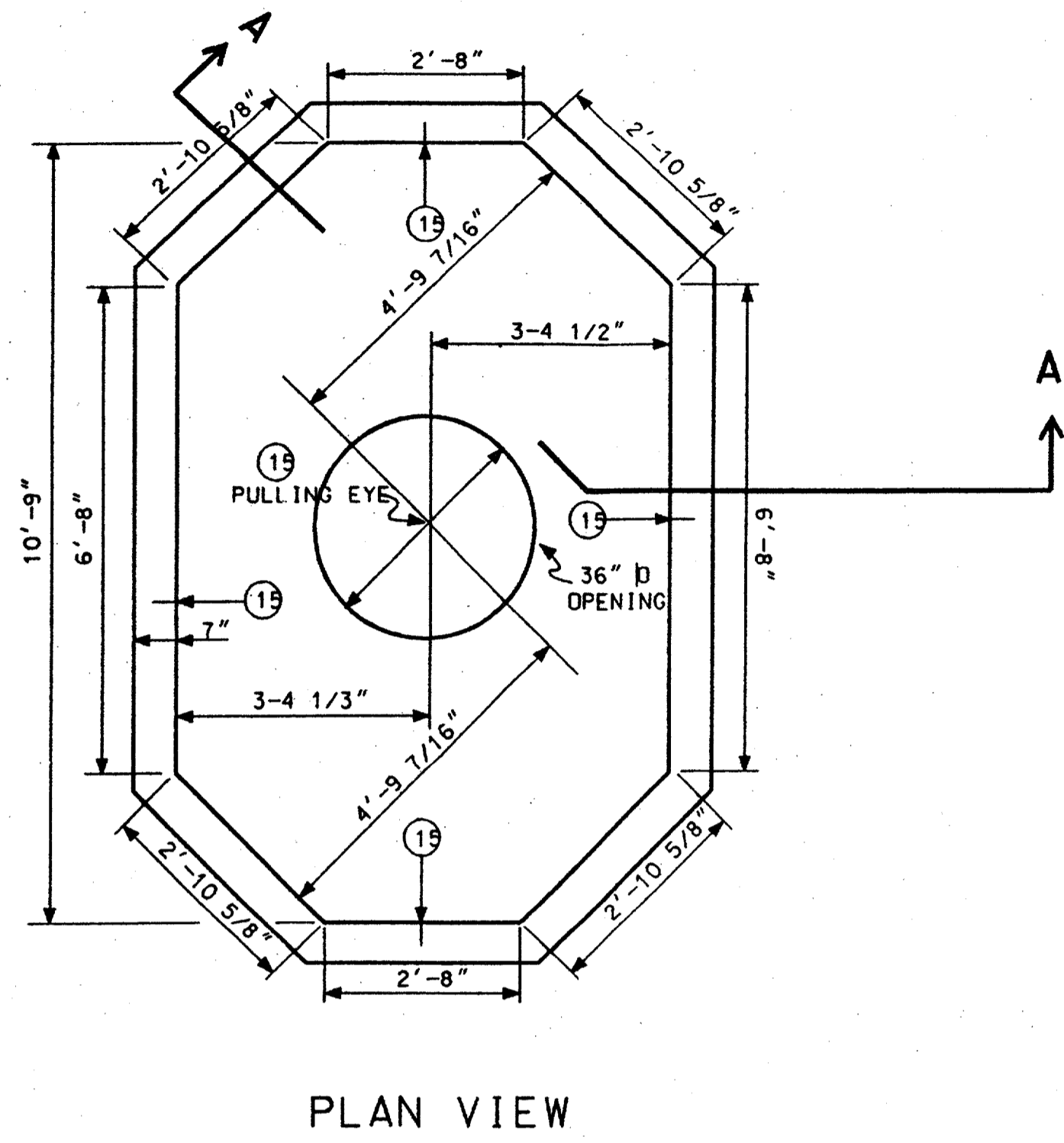


DETAIL # 7



MARK	LENGTHS		QUANTITY				SHAPE	SIZE
	FT.	IN.	FLOOR	WALLS	ROOF	TOTAL		
1	3	3	4			13'-0"	ST.	#5
1A	3	10	4			15'-4"	ST.	#5
2	5	10	4			23'-4"	ST.	#5
2A	7	7	4			30'-4"	ST.	#5
3	8	7	4			34'-4"	ST.	#5
4	9	7	4			38'-4"	ST.	#5
5	3	2			4	12'-8"	ST.	#5
6	3	10			4	15'-4"	ST.	#5
7	4	10			4	19'-4"	ST.	#5
8	5	8			4	22'-8"	ST.	#5
9	6	6			4	26'-0"	ST.	#5
10	8	6			4	34'-0"	ST.	#5
10A	8	3			4	33'-0"	ST.	#5
10B	8	0			4	32'-0"	ST.	#5
10C	7	9			4	31'-0"	ST.	#5
10D	7	6			4	30'-0"	ST.	#5
11	7	4		16		117'-4"	ST.	#5
11A	3	5		32		109'-4"	ST.	#5
12	3	2		16		50'-8"	ST.	#5
13	8	9		36		315'-0"	ST.	#5
14	3	4	36		4	120'-0"	2" X 1" X 6"	#5
15			1	4		5'-0"	PULLING EYE	1 1/2" X 6" BOLT
CONCRETE			1.94 CU. YDS.	3.35 CU. YDS.	3.85 CU. YDS.	11.14 CU. YDS.	3000 PSI	
MANHOLE COVER & FRAME TU STD 310-050 1 EA.								3'-0" OPENING
VENDOR: WESTERN IRON WORKS, 21 EAST SIXTH ST. SAN ANGELO TX. 76903								
OR: HEFNER PRECAST, DIVISION OF BROOKS PRODUCTS, 2229 NORTH MAIN, CLEBURNE TX. 76031								
STEEL TO CONFORM TO THE LATEST STANDARD SPECIFICATION FOR DEFORMED BILLET-STEEL BARS FOR CONCRETE REINFORCEMENT.								
SEE DETAIL # 9 FOR CONCRETE SPECIFICATION								
GENERAL NOTES SIMILAR TO TYPE "B" MANHOLE, SHEET #1.								

"TYPE - 2-WAY"
10'-9" X 6'-9" X 7'-0"

RECORD
DRAWING E9

TU ELECTRIC

CD

UNIT ID	DWG TYPE	ESTIMATE	LIST OF DRAWINGS	SCALE (H=)	DATE	NO.	W.A.	APP. PRN	ENC. JRC	CH. JRC	DWN. MED	DATE	REVISION DESCRIPTION	DRAWN	CH.	APP.	APP.	
			NETWORK UNDERGROUND APPURTENANCE SHEETS MANHOLE DETAILS	1/2" = 1'-0"	05-12-92													

E NUA-1
SHEET NO. 5