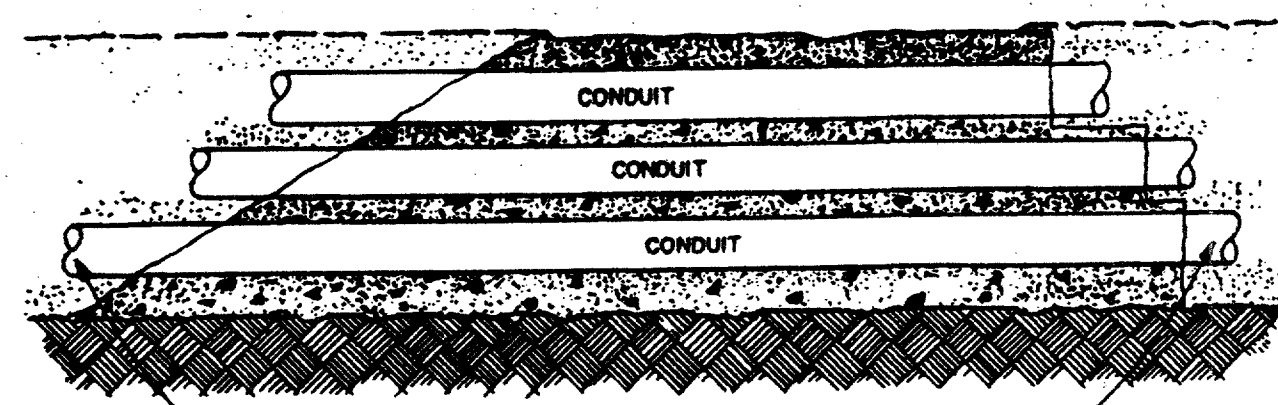


15 - 5" OR 6"
TERMINATOR INSTALLATION
IN MANHOLES

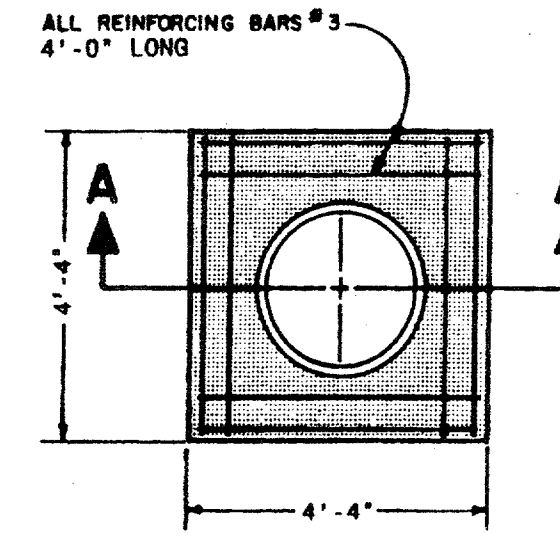
SEE JOB SKETCH FOR
NUMBER OF TERMINATORS
TO BE INSTALLED

DETAIL # 8

DETAIL # 24

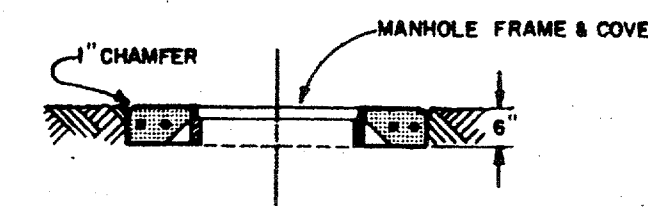


—SLOPED AND STAIR STEPPED—
COLD JOINTS



PLAN

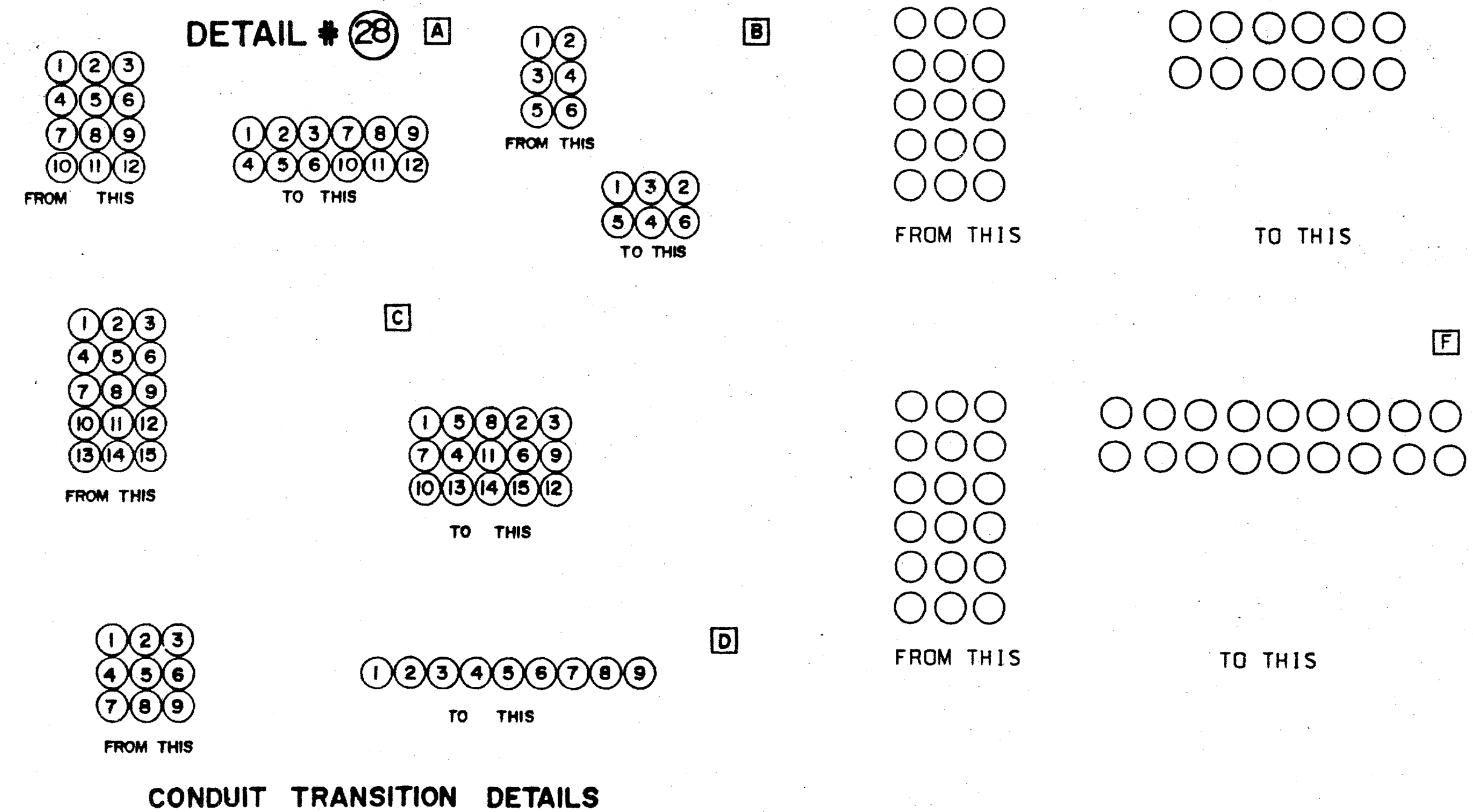
NOTE: SEE DETAIL # 8 FOR CONCRETE SPECIFICATION



SECTION A-A

— CONCRETE SLAB FOR MANHOLE—
CASTING

DETAIL # 11



CONDUIT TRANSITION DETAILS

RECORD
DRAWING

E10

SCALE (H#D SCALE) (V#D SCALE)		LIST OF DRAWINGS	W.A.	ESTIMATE	DWG TYPE	UNIT ID	TU ELECTRIC			CD
NETWORK UNDERGROUND APPURTENANCE SHEETS MISCELLANEOUS DETAILS										
DATE 05-12-92	DWN. MED	CH. JRC	ENG. JRC	APP. JES	APP. PRN	W.A.	NO.	DATE	REVISION DESCRIPTION	DRAWN
										CH.
										APP.
										APP.