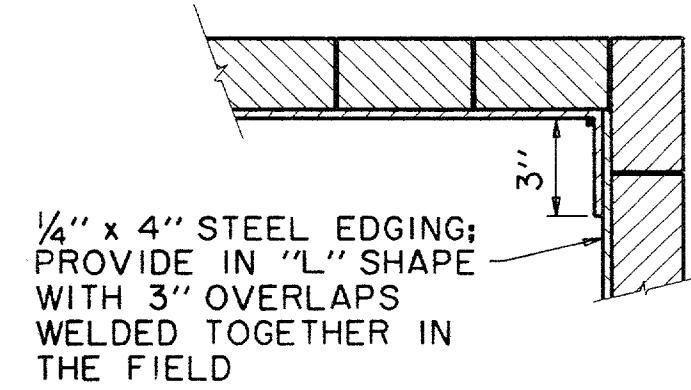


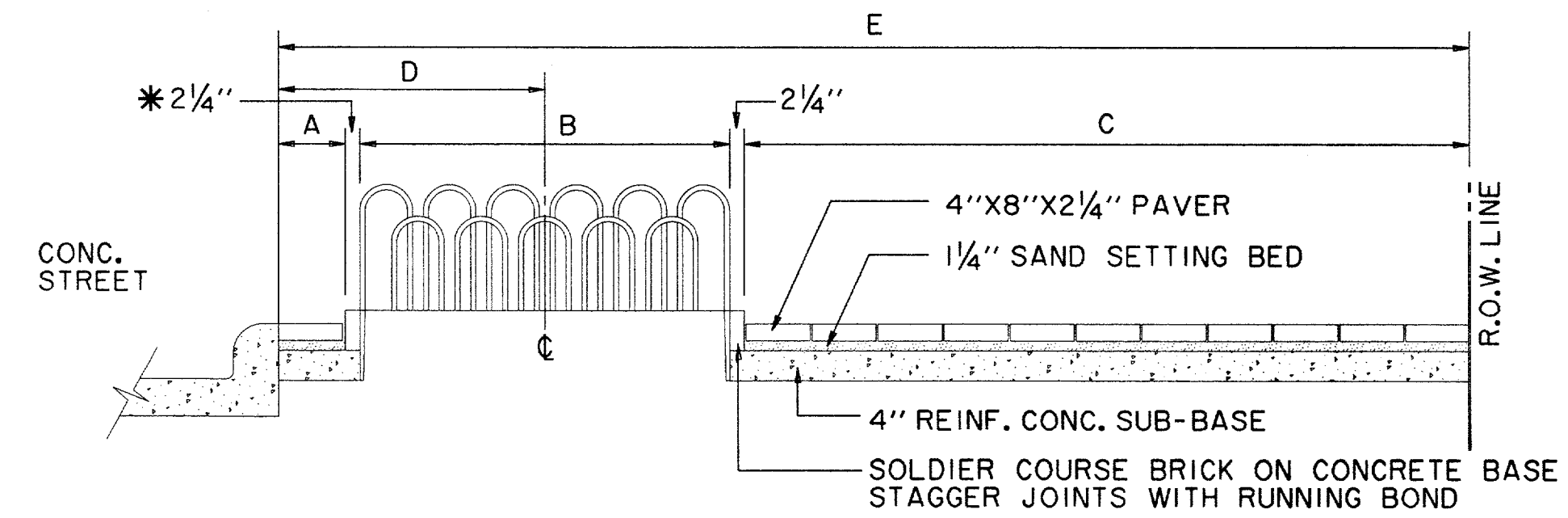
TREE FENCE FRAME
INSTALLATION DETAIL

N.T.S.

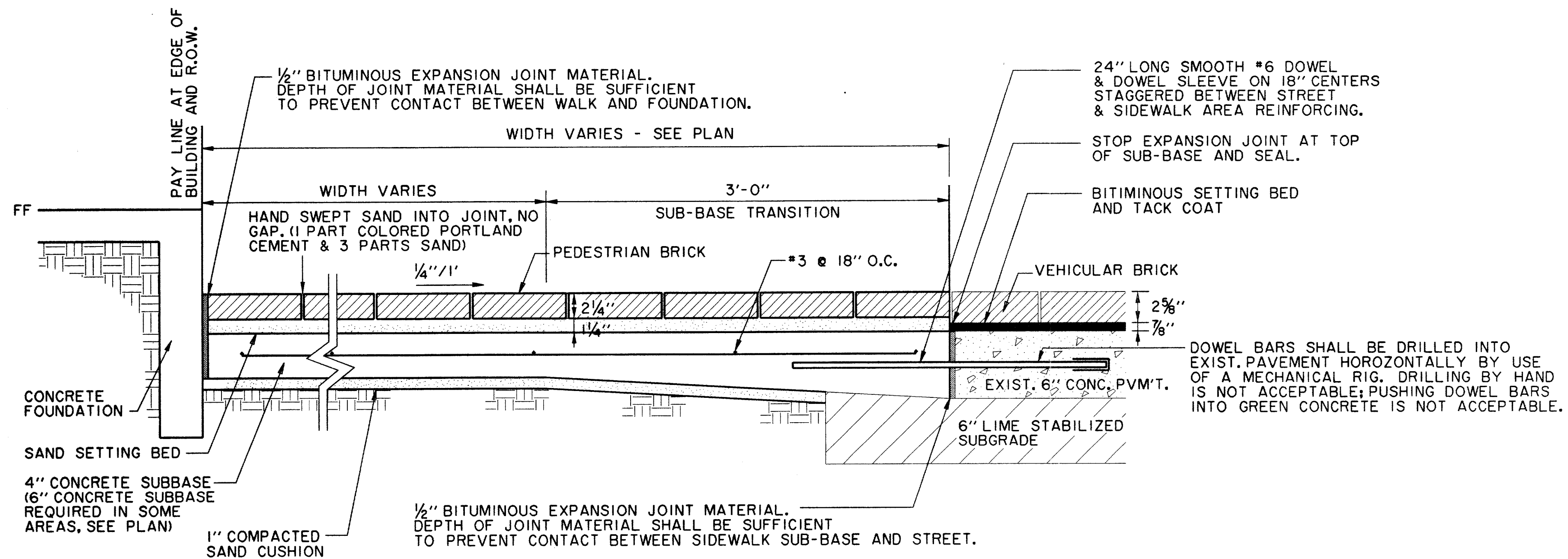


STEEL EDGING
OVERLAP DETAIL

N.T.S.

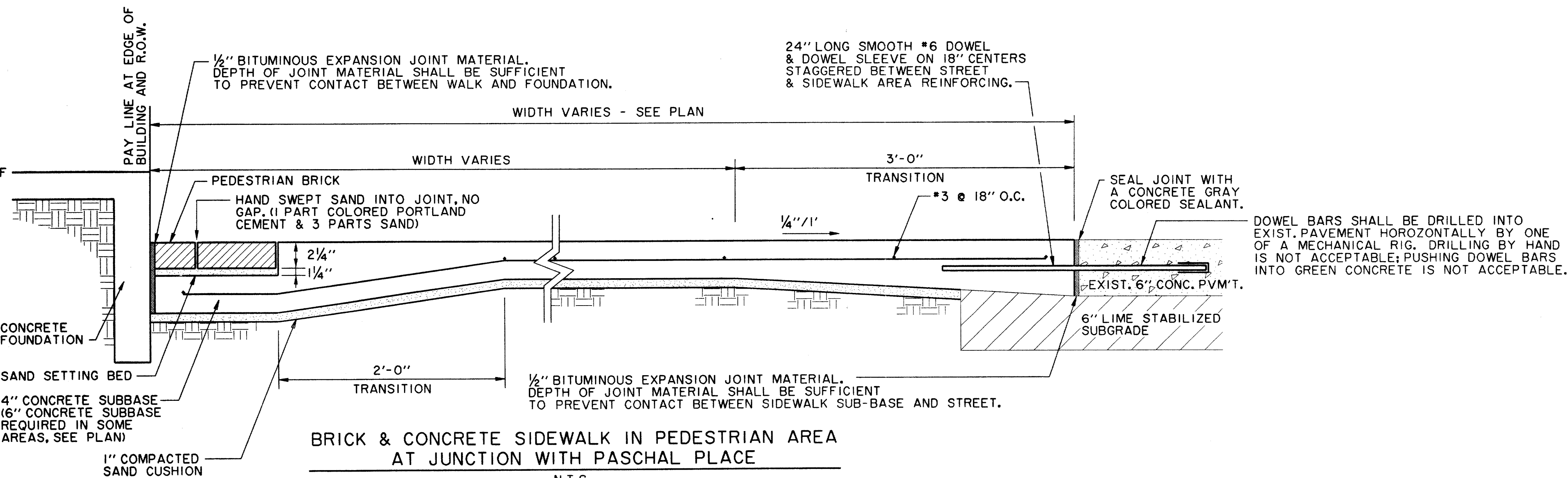


LOCATION	A	B	C	D	E
MORRIS AVE., ARTIST WAY & GOODMAN AVE.	8 1/4"	5'-0"	5'-11 1/4"	3'-4 1/2"	12'-0"
PASCHAL PLACE	0	5'-0"	5'-1 1/2"	2'-8 1/4"	10'-6"



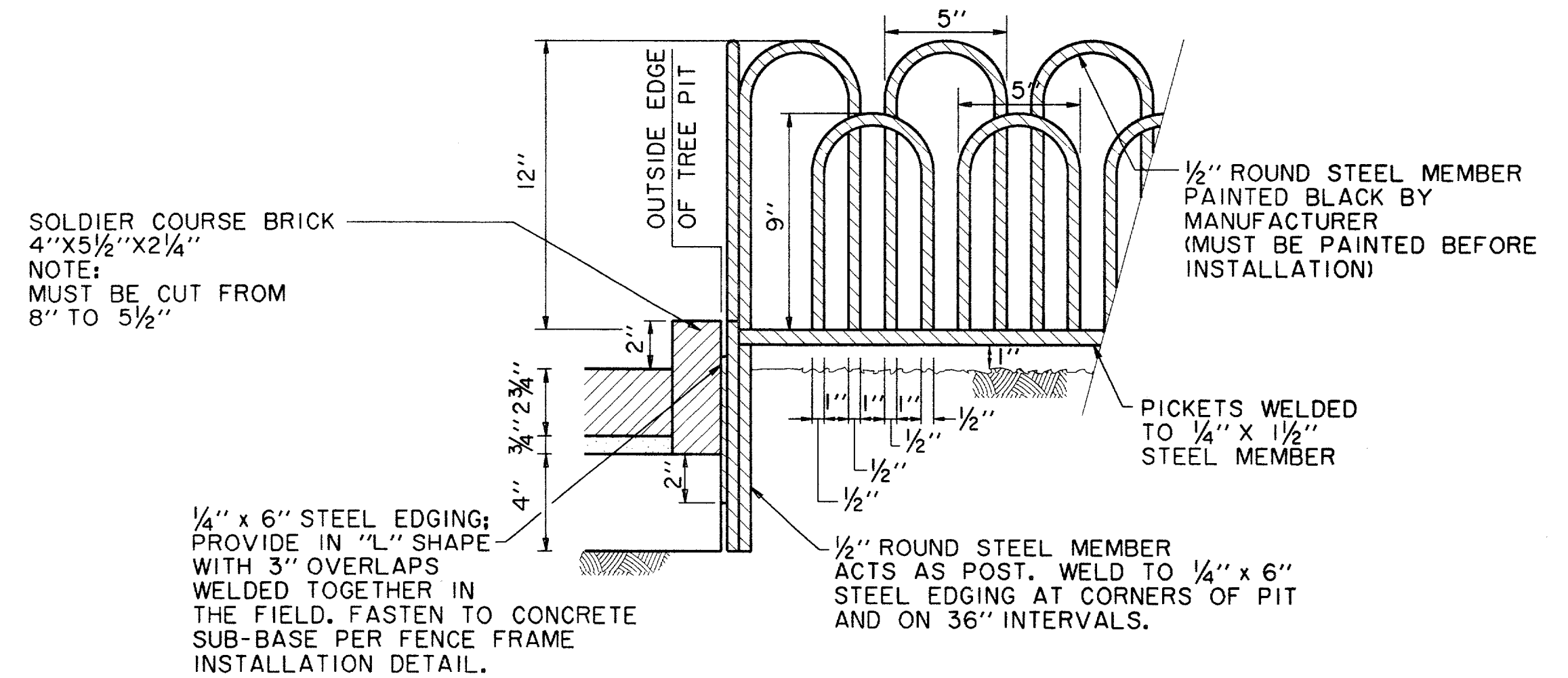
BRICK SIDEWALK IN PEDESTRIAN AREA
AT JUNCTION WITH PASCHAL PLACE

N.T.S.



BRICK & CONCRETE SIDEWALK IN PEDESTRIAN AREA
AT JUNCTION WITH PASCHAL PLACE

N.T.S.

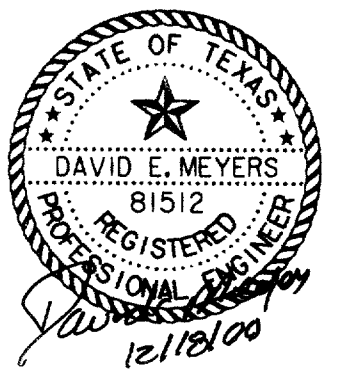


TREE FENCE
MORRIS AVE., ARTIST WAY AND GOODMAN AVE.

N.T.S.

RECORD
DRAWING

THE SEAL APPEARING ON THIS
DOCUMENT WAS AUTHORIZED BY
DAVID E. MEYERS, P.E. 81512



DATE	DESCRIPTION	REF. NO.
6/23/99	ISSUED FOR CONSTRUCTION	N/A
5/17/99	ISSUED FOR BID	N/A

STREETSCAPE DETAILS
ADDISON CIRCLE
PHASE II-B PUBLIC INFRASTRUCTURE
TOWN OF ADDISON, TEXAS

DESIGN	DRAWN	APPR.	SCALE	DATE	PROJECT NO.	NO.
HZI	HZI	DEM	N.T.S.	MAR. 99	01-1822-50	ST4