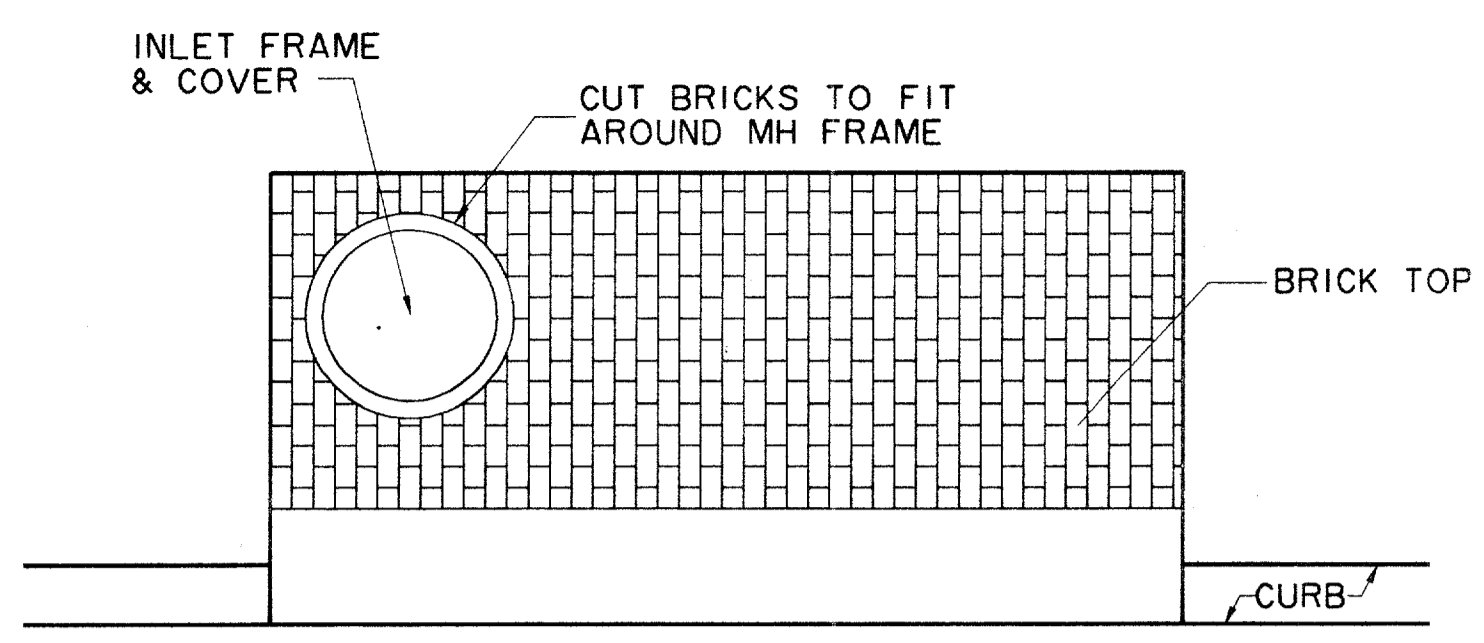
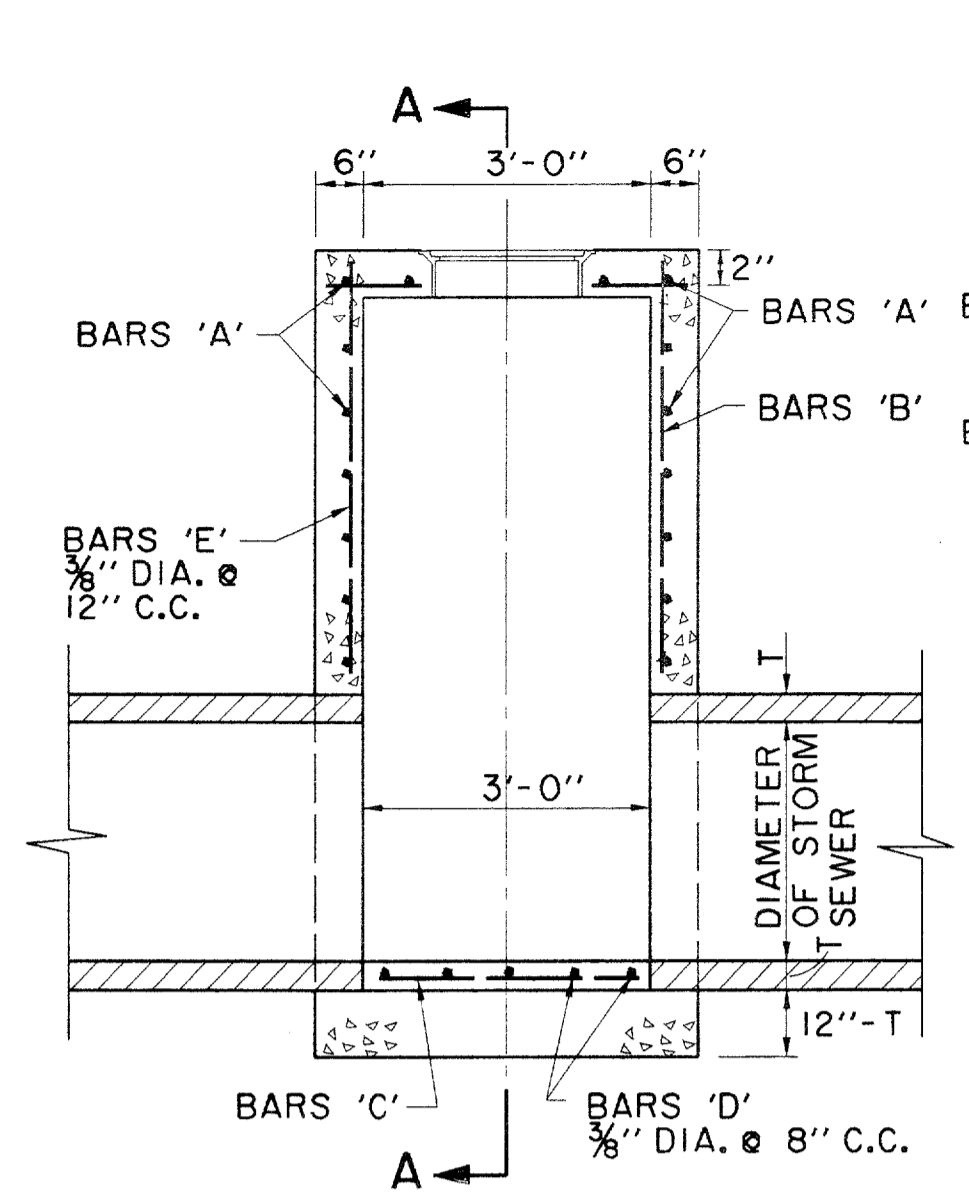


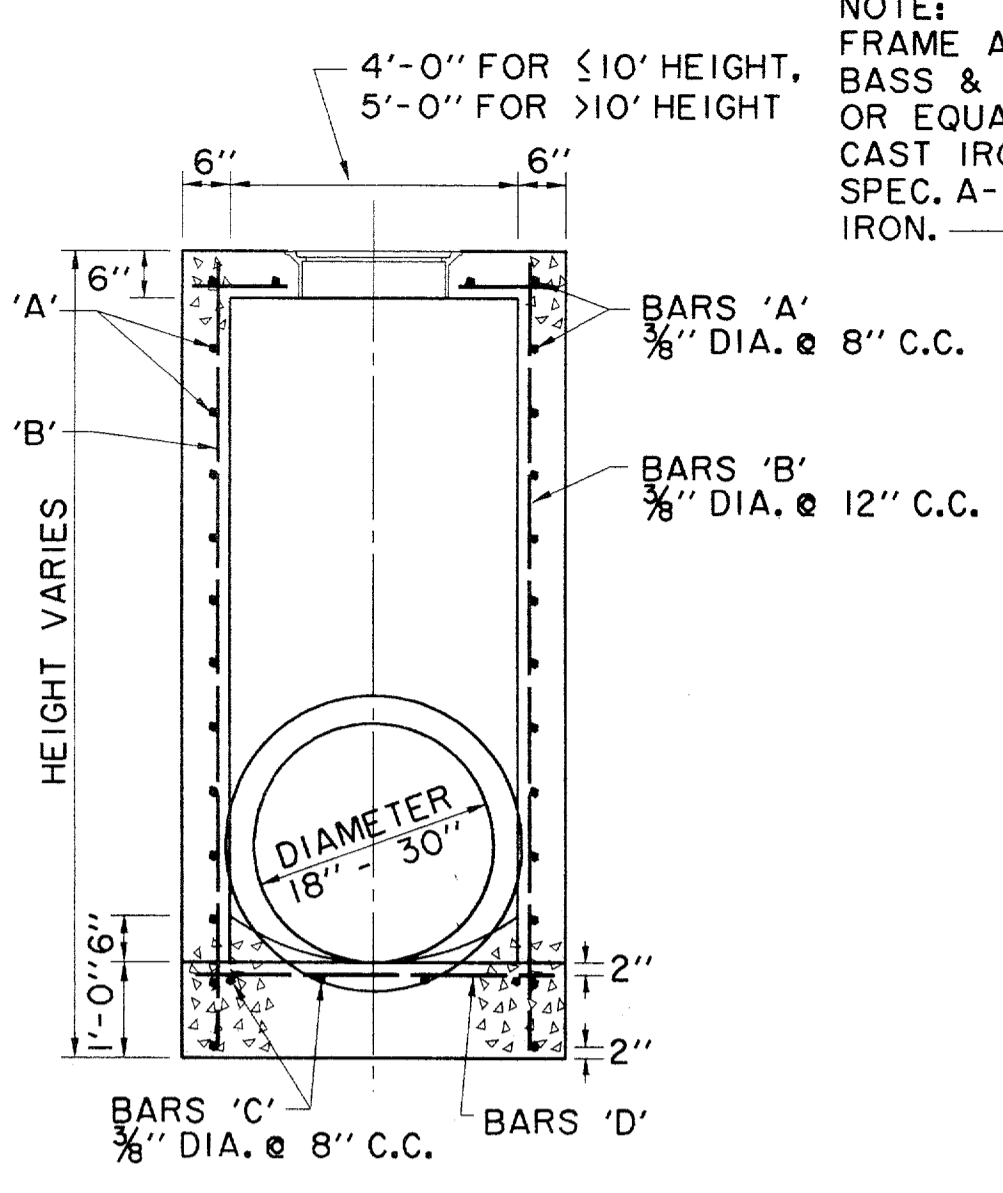
INLET PLAN
REINFORCING STEEL
FOR BRICK ON INLET
N.T.S.



INLET PLAN
BRICK ON INLET
N.T.S.



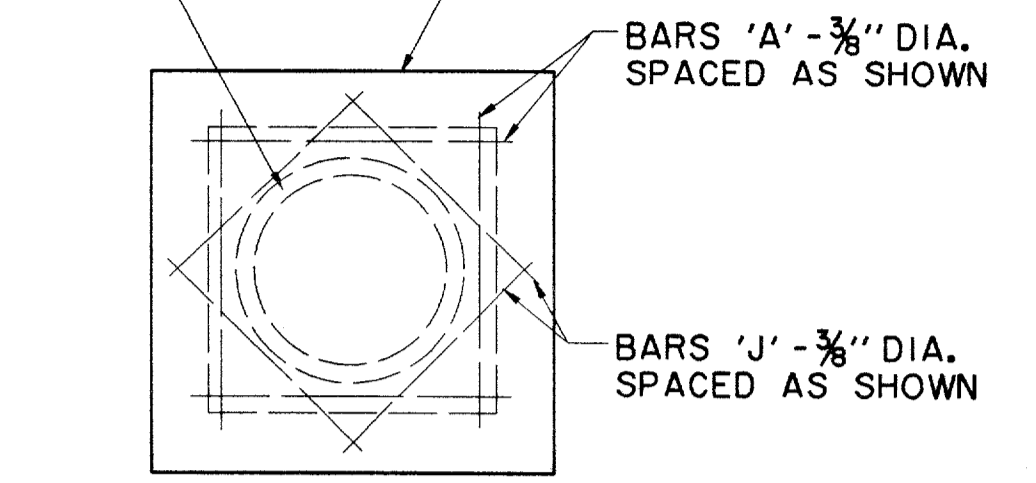
ELEVATION
N.T.S.
TYPE A STORM SEWER MANHOLE
(FOR PIPE 18" TO 30" IN DIAMETER)



SECTION A-A
N.T.S.

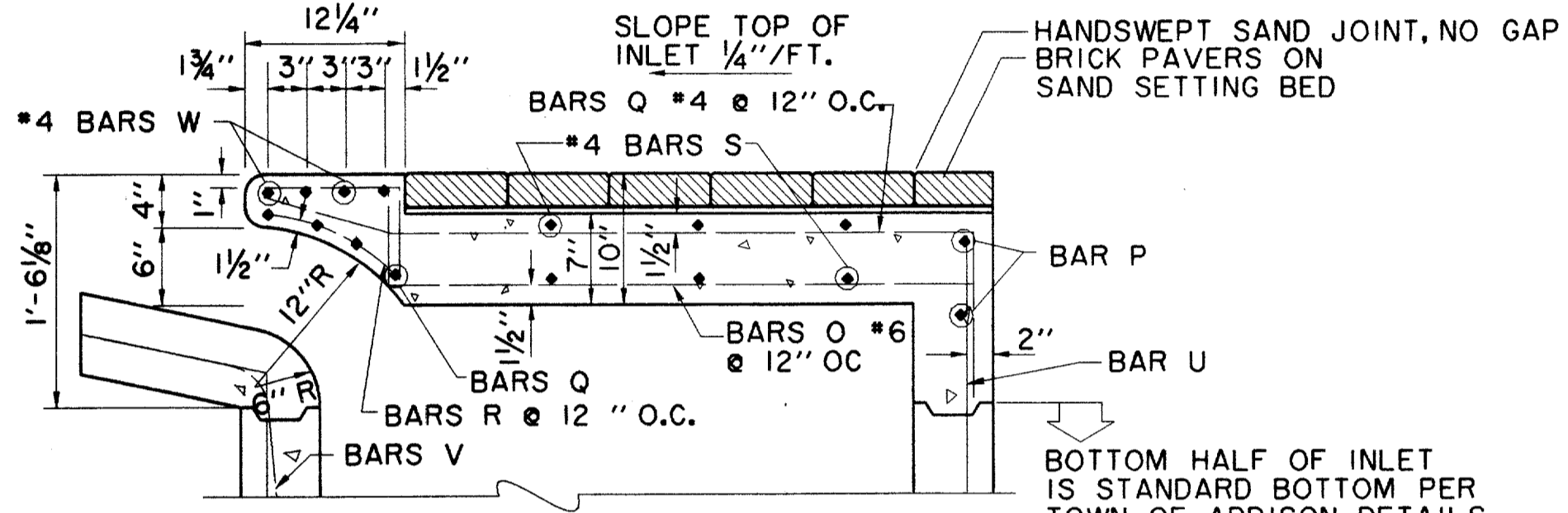
NOTE: FRAME AND COVER SHALL BE BASS & HAYS PATTERN NO. 400-24 OR EQUAL AND SHALL BE OF GRAY CAST IRON CONFORMING TO A.S.T.M. SPEC. A-48 FOR CLASS 30 CAST IRON.

PROVIDE 3/4" PREMOLDED EXPANSION JOINT BETWEEN MANHOLE AND CONCRETE PAVEMENT AND SEAL WITH HOT POURED RUBBER.



TOP PLAN
TYPE A & TYPE B
STORM SEWER MANHOLE
N.T.S.
NOTE: MAXIMUM PIPE SIZE TO BE USED 78"

NOTE: MANHOLES AND INLETS GREATER THAN 4' IN DEPTH SHALL HAVE BASS AND HAYS MODEL MA STEPS OR APPROVED EQUAL

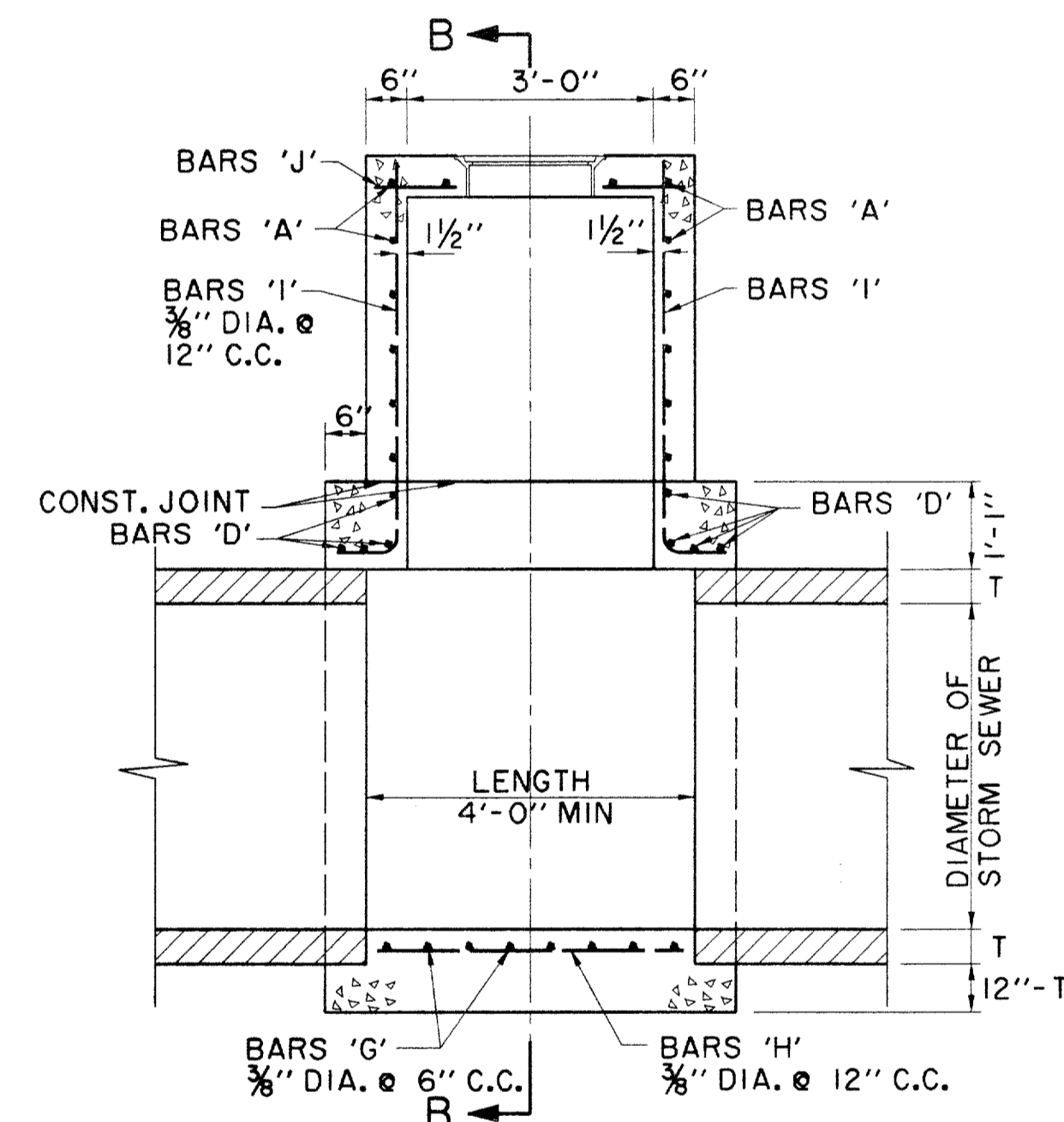


SECTION C-C - DETAIL
BRICK ON INLET
N.T.S.

FOR EXISTING INLETS TO BE MODIFIED, BREAK OUT TOP ±20", TIE NEW STEEL TO OLD AND POUR MODIFIED TOP.

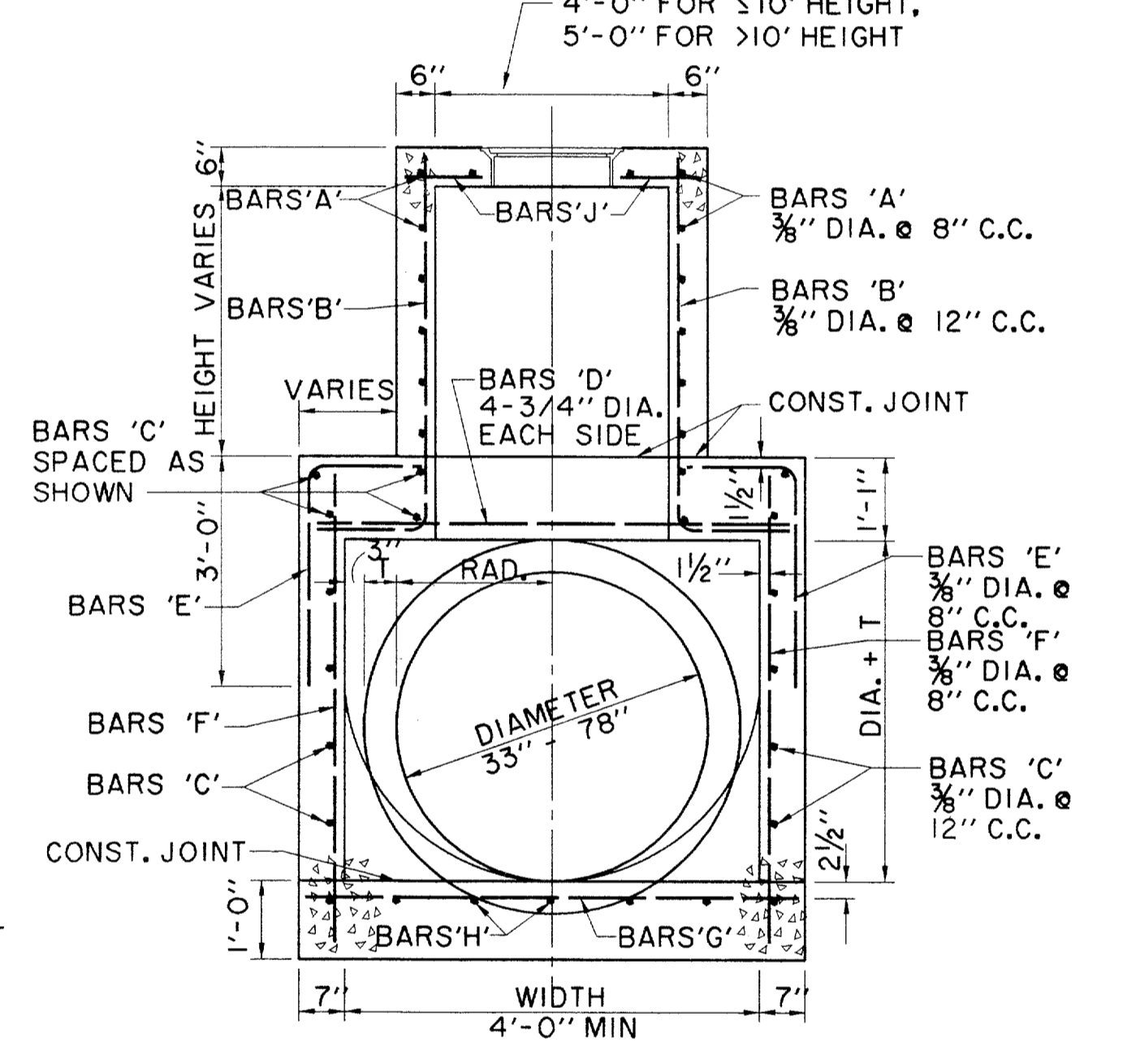
HANDSWEPT SAND JOINT, NO GAP BRICK PAVERS ON SAND SETTING BED

BOTTOM HALF OF INLET IS STANDARD BOTTOM PER TOWN OF ADDISON DETAILS

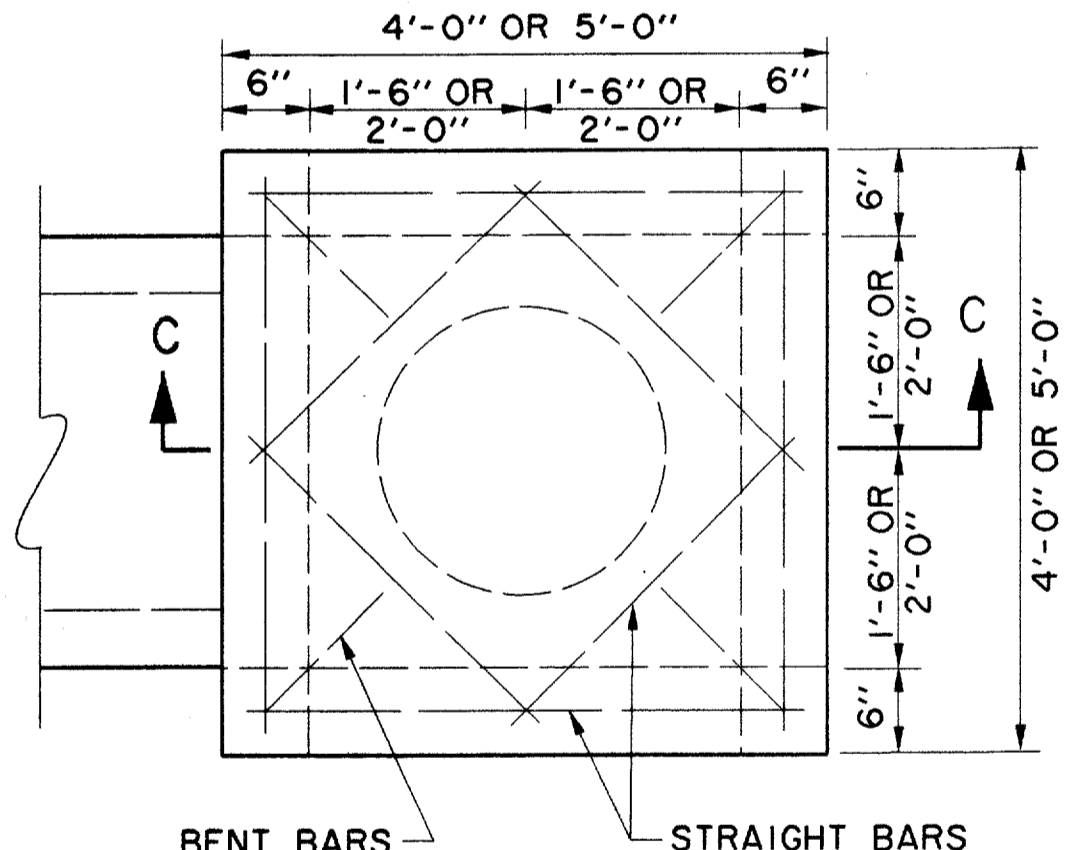


ELEVATION
N.T.S.

TYPE B STORM SEWER MANHOLE
(FOR PIPE 33" TO 78" IN DIAMETER)

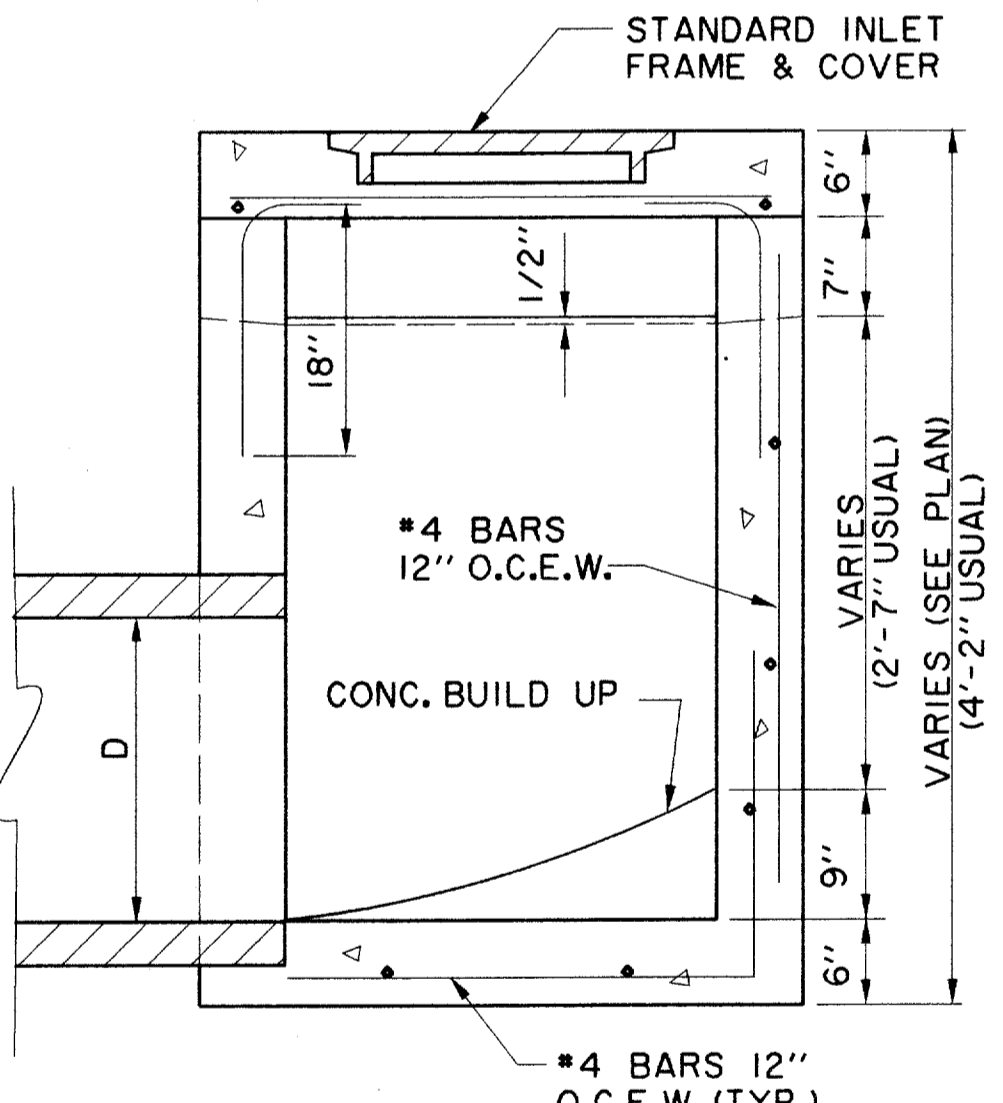


SECTION B-B
N.T.S.

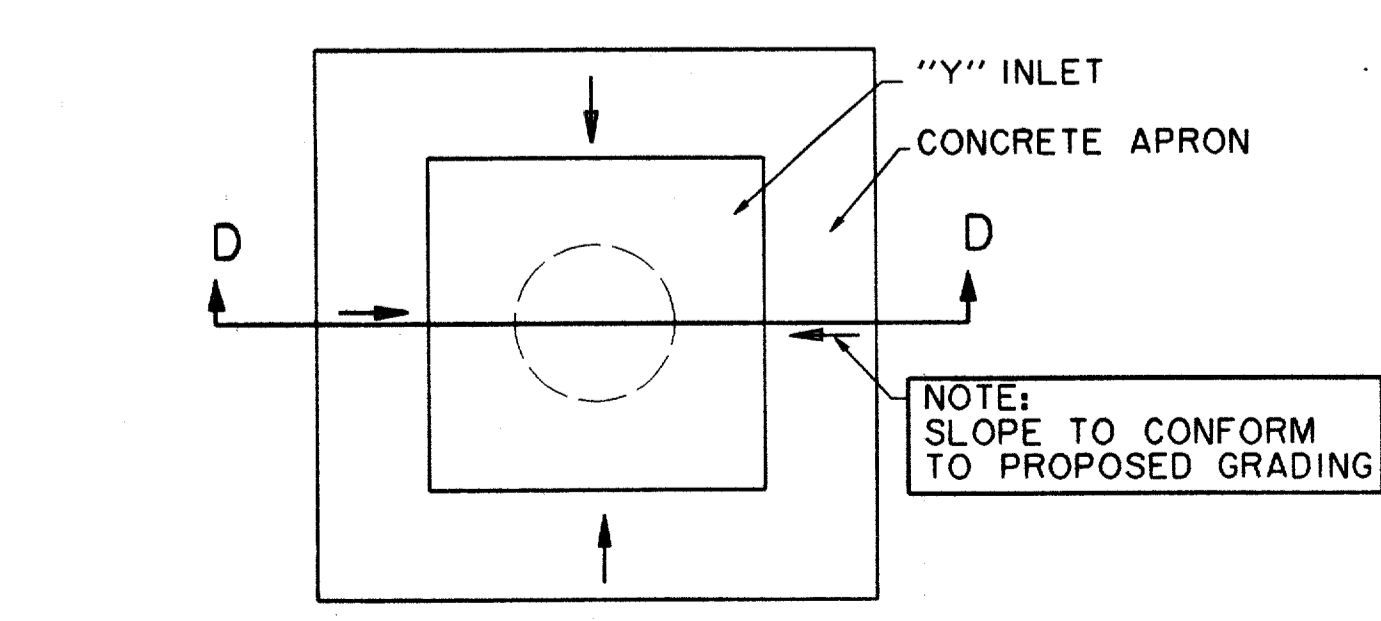


STANDARD TYPE "Y" INLET
N.T.S.

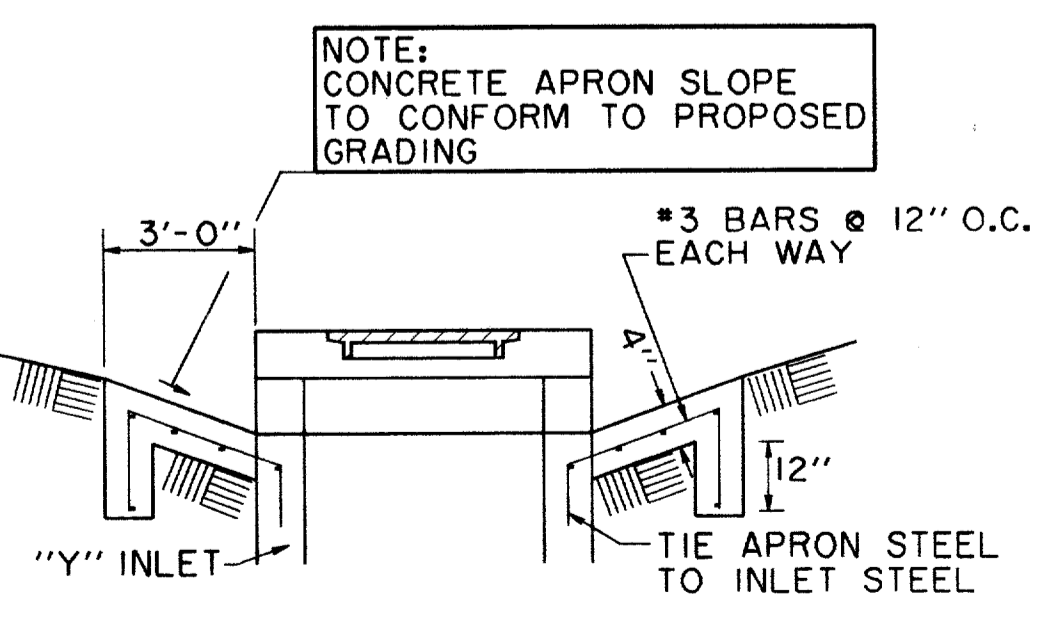
NOTE: ALL 'Y' INLETS TO HAVE CONCRETE APRON AROUND INLET



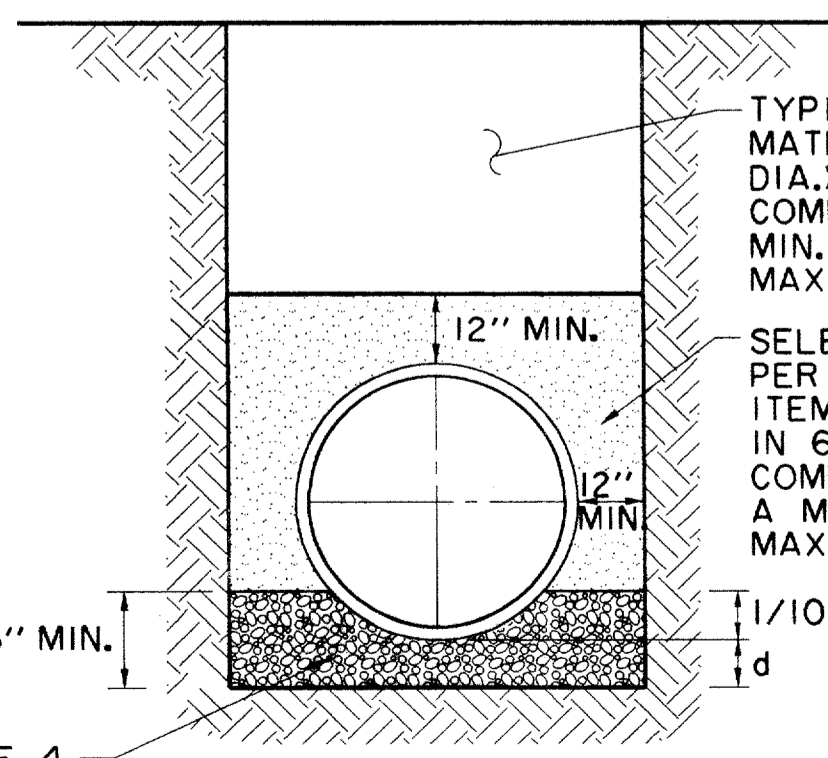
SECTION C-C
N.T.S.



"Y" INLET CONCRETE APRON PLAN
N.T.S.



SECTION D-D
N.T.S.

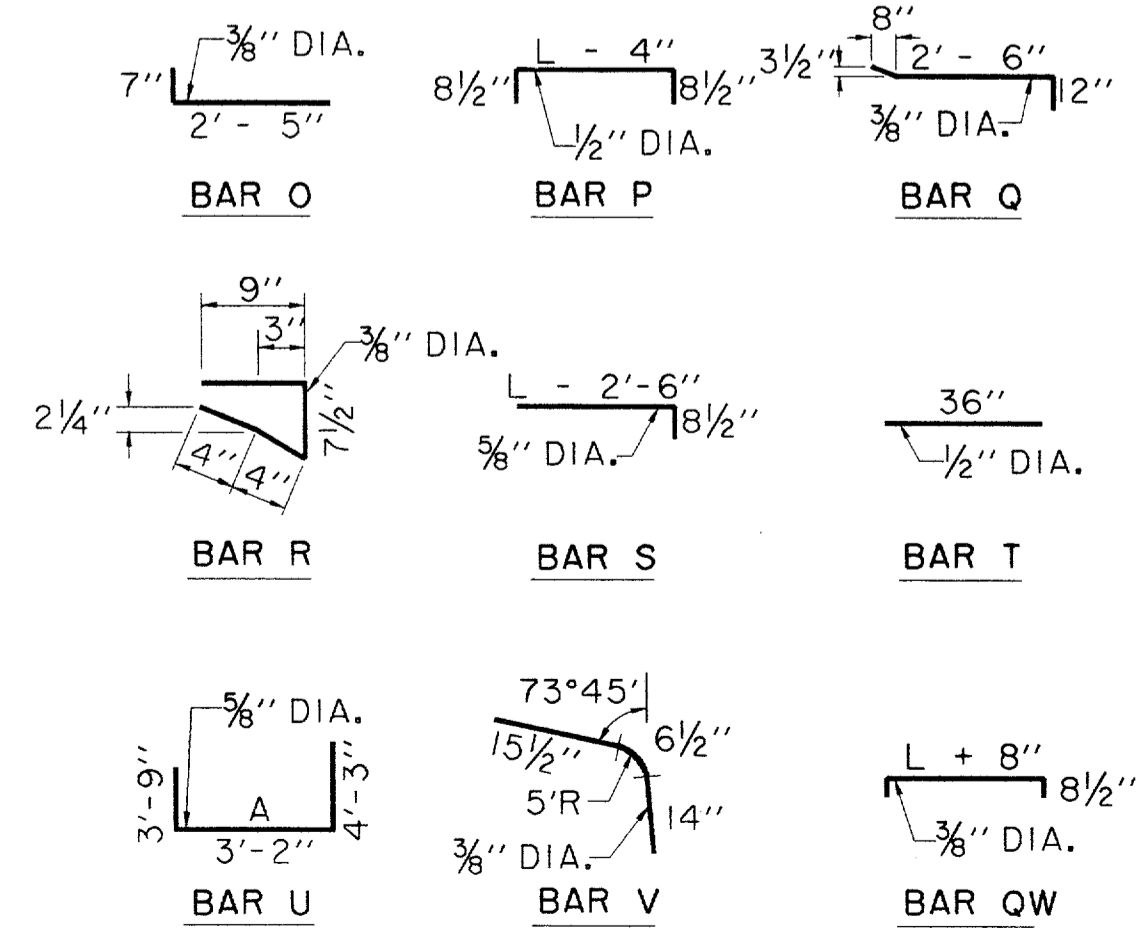


EMBEDMENT DETAIL FOR STORM SEWER
N.T.S.

TYPICAL NATIVE MATERIAL (MAX. 3" DIA.) IN 6" LIFTS COMPACTED TO A MIN. 95% OF MAXIMUM DENSITY

SELECT MATERIAL PER NCTCOG ITEM 2.1.8 IN 6" LIFTS COMPACTED TO A MIN. 95% OF MAXIMUM DENSITY

D (INSIDE DIAMETER)	d (MIN.)
27"	3"
30" TO 60"	4"
36"	6"



BAR DIAGRAMS (BRICK ON INLET)
N.T.S.

NOTE: BAR DESIGNATIONS AND DIMENSIONS ARE DIFFERENT FROM STEEL SCHEDULE FOR REGULAR INLETS.

RECORD DRAWING

THE SEAL APPEARING ON THIS DOCUMENT WAS AUTHORIZED BY DAVID E. MEYERS, P.E. 81512



DATE	DESCRIPTION	REF NO.
6/23/99	ISSUED FOR CONSTRUCTION	N/A
5/17/99	ISSUED FOR BID	N/A

STORM WATER DETAILS
ADDISON CIRCLE
PHASE II-B PUBLIC INFRASTRUCTURE
TOWN OF ADDISON, TEXAS

DESIGN	DRAWN	APPR.	SCALE	DATE	PROJECT NO.	NO.
HZI	HZI	DEM	N.T.S.	MAR. 99	01-1822-50	SW8