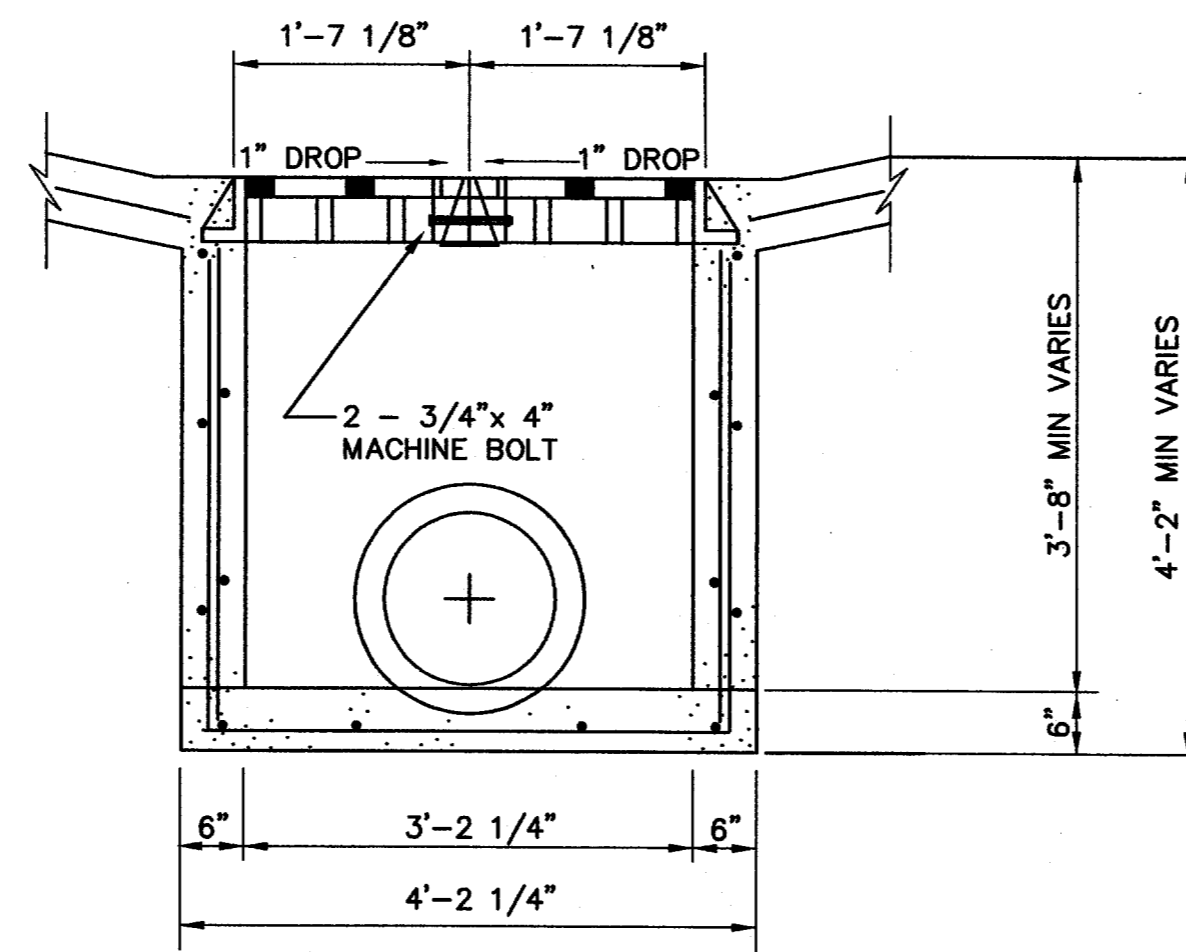
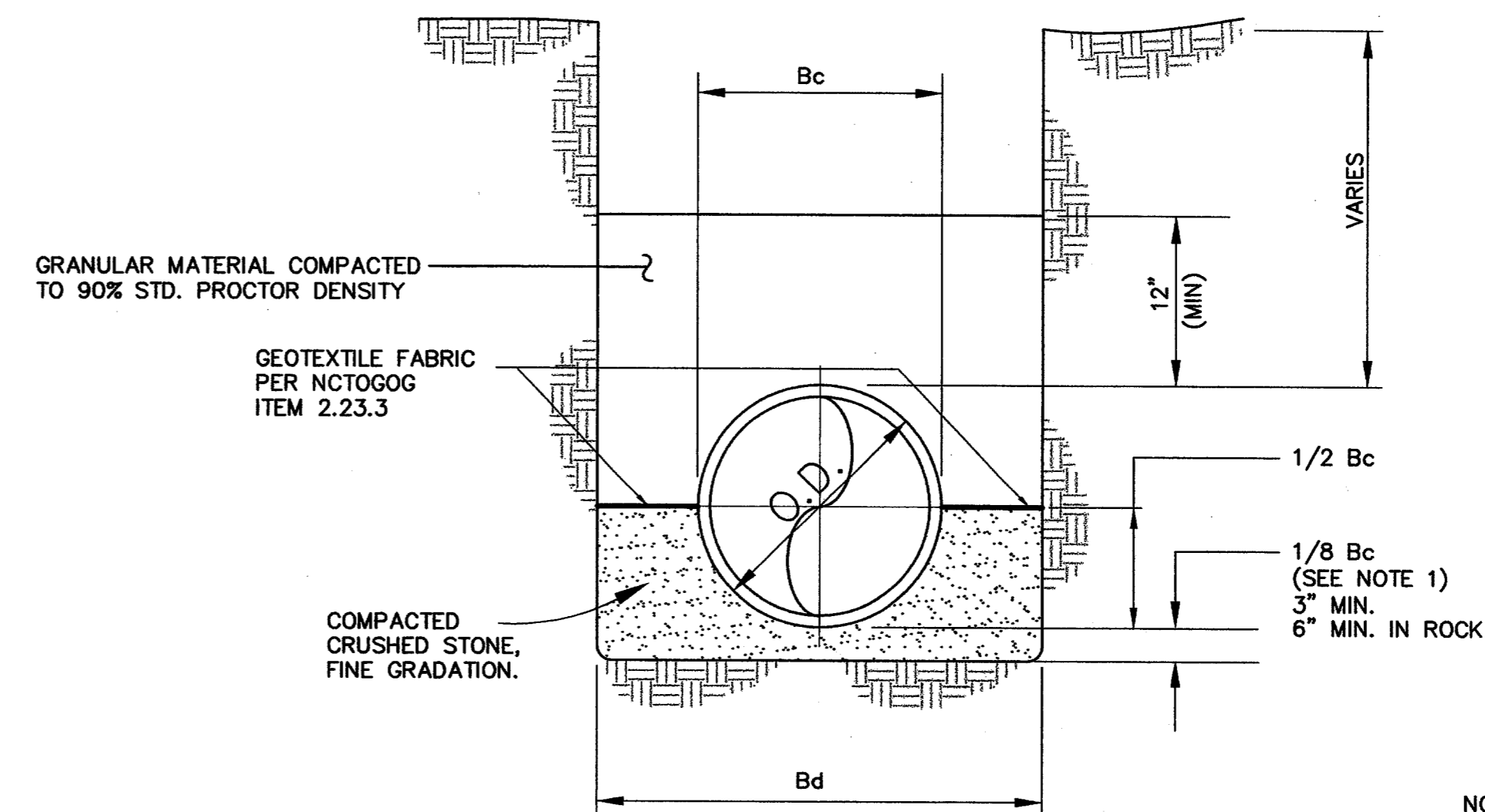


SEC. B-B



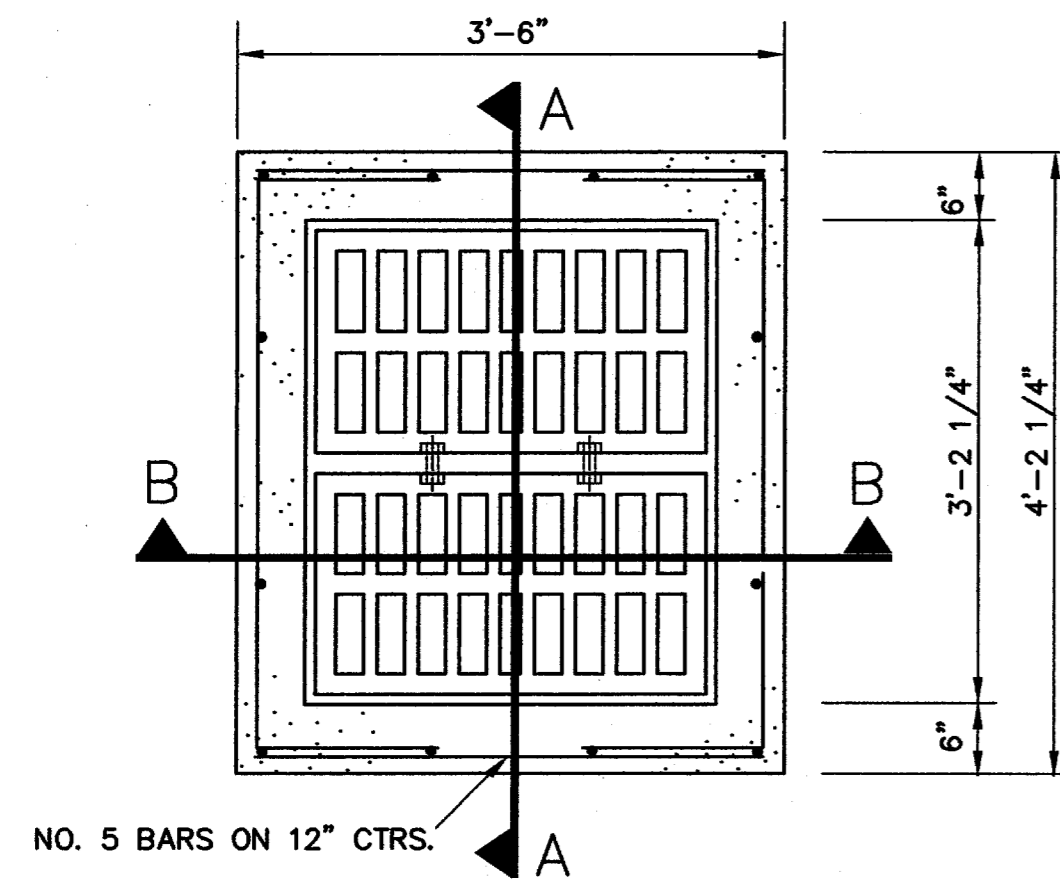
SEC. A-A



CLASS "B+" EMBEDMENT  
FOR PVC WATER/SEWER  
NTS

NOTES:

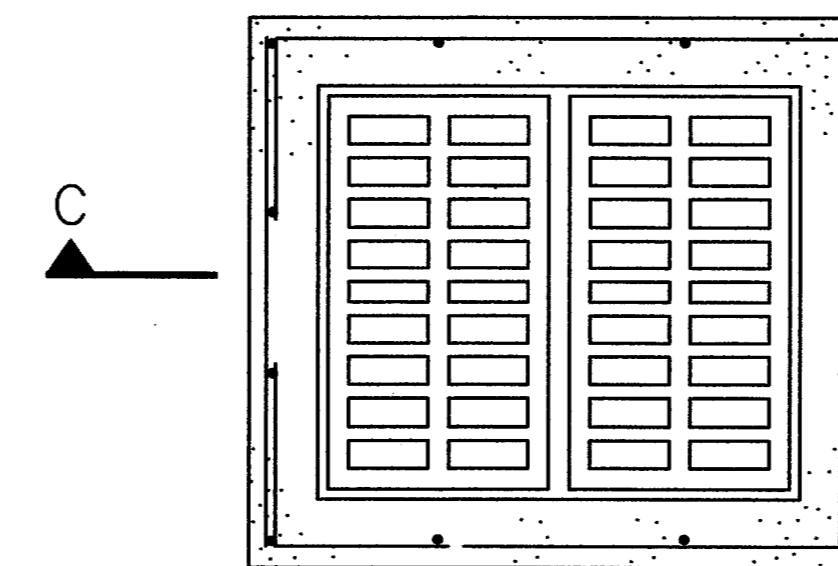
1. FOR MAINS 42" DIA. & LARGER, 1/8 Bc SHALL BE TAKEN AS 6"
2. Bc = OUTSIDE DIA. OF PIPE
3. Bd = TRENCH WIDTH



TWO GRATE INLET PLAN  
N.T.S.

NOTES

1. ALL LAPS AND EXTENSIONS OF REINFORCING BARS SHALL BE 30 BAR DIAMETERS UNLESS NOTED OTHERWISE.
2. TACK WELD GRATES IN PLACE OR USE GRATE LOCK.
3. PIPE MAY BE PLACED IN ANY WALL, BUT SHALL NOT ENTER ANY CORNER OR BOTTOM.
4. CONCRETE TO BE MINIMUM OF 4200 PSI.



PLAN

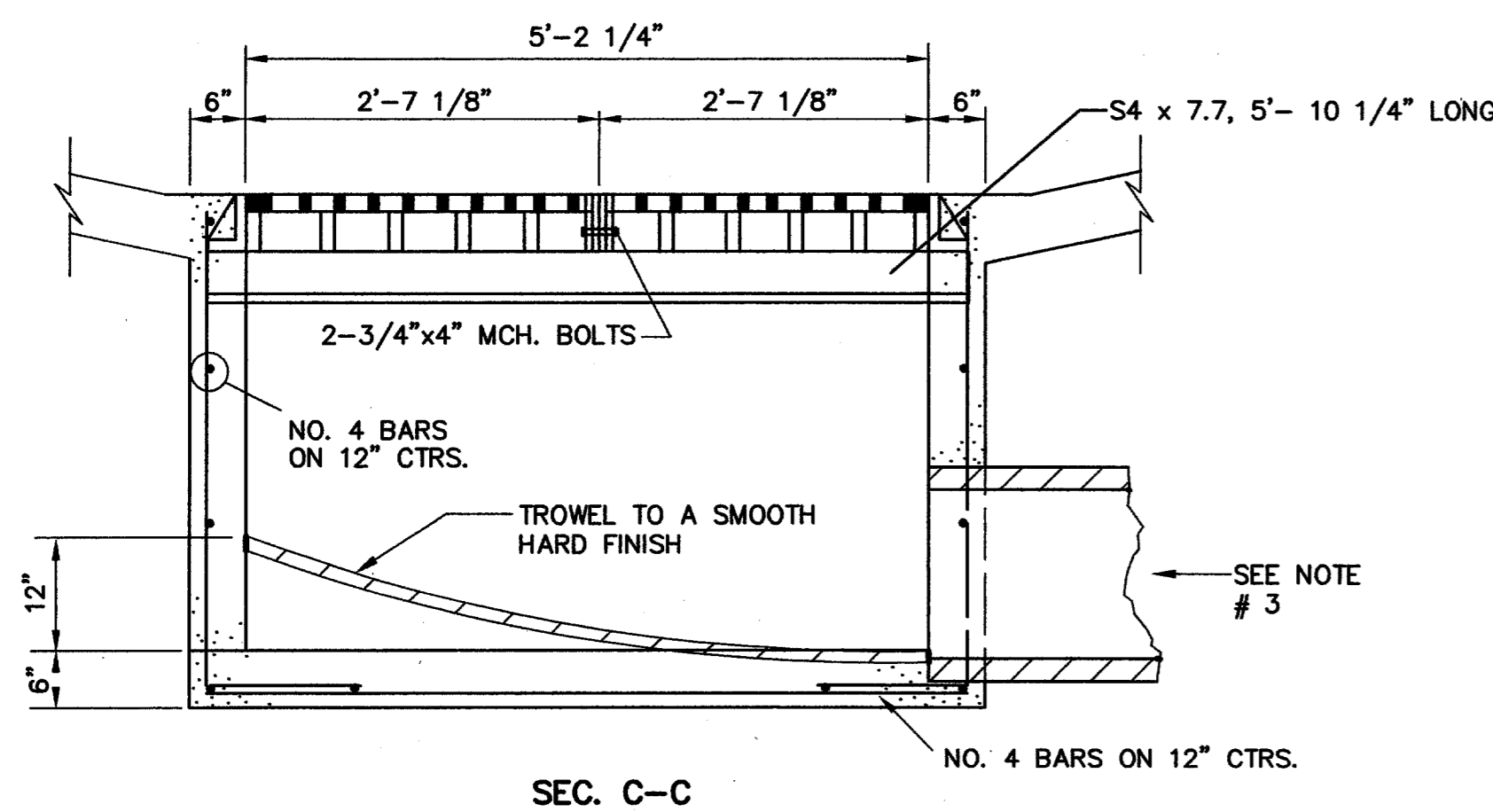


SEC. C-C

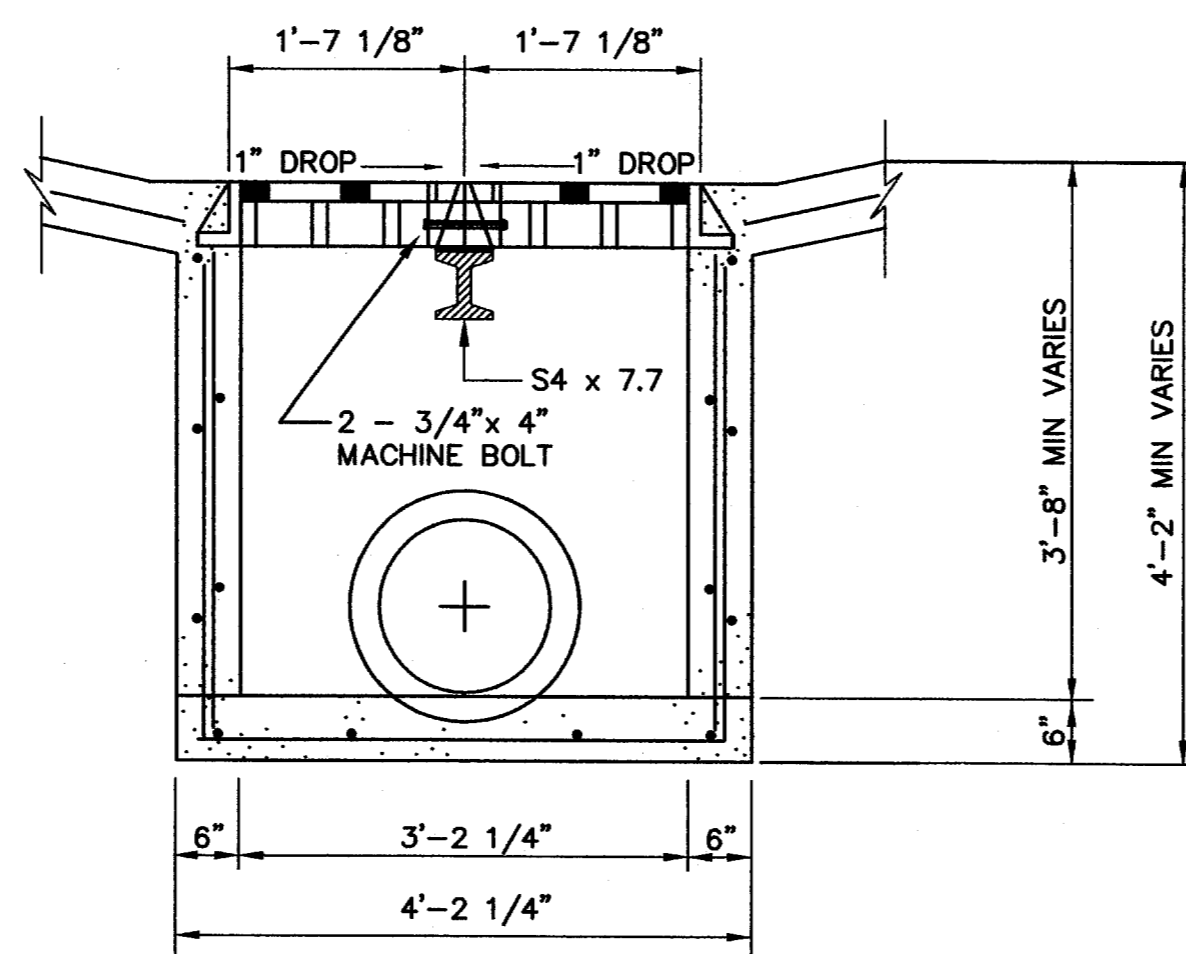
NOTE:  
GRATE AND FRAME SHALL BE PATTERN NO. 814 AS MANUFACTURED BY BASS & HAYES FOUNDRY OR APPROVED EQUAL.

GRATE DETAILS

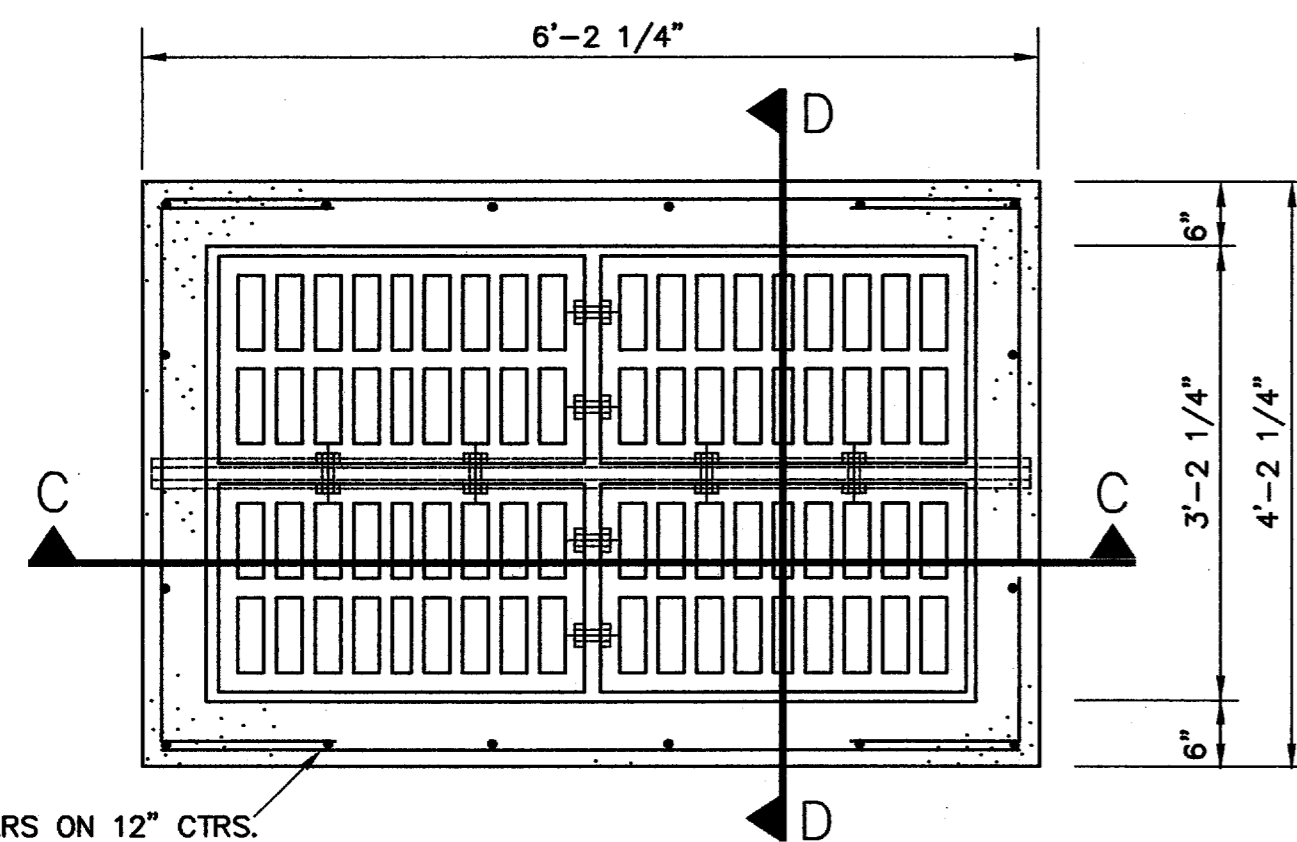
N.T.S.



SEC. C-C



SEC. D-D



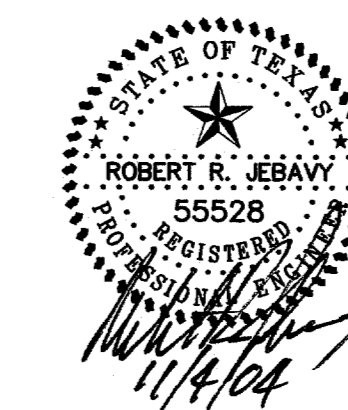
FOUR GRATE INLET PLAN  
N.T.S.

NOTES

1. ALL LAPS AND EXTENSIONS OF REINFORCING BARS SHALL BE 30 BAR DIAMETERS UNLESS NOTED OTHERWISE.
2. TACK WELD GRATES IN PLACE OR USE GRATE LOCK.
3. PIPE MAY BE PLACED IN ANY WALL, BUT SHALL NOT ENTER ANY CORNER OR BOTTOM.
4. CONCRETE TO BE MINIMUM OF 4200 PSI.

**AS-BUILT**  
NOVEMBER 4, 2004

NOTE:  
THESE PLANS HAVE BEEN REVISED TO CONFORM WITH CONSTRUCTION RECORDS PROVIDED BY CONTRACTOR.



**DRAINAGE DETAILS**  
PARKVIEW AT ADDISON CIRCLE  
TOWN OF ADDISON, TEXAS  
DALLAS COUNTY

**BROCKETTE · DAVIS · DRAKE , inc.**  
consulting engineers  
Civil & Structural Engineering - Surveying  
4144 North Central Expressway, Suite 1100 Dallas, Texas 75204  
(214)824-3647, fax (214) 824-7064

DESIGNED	DRAWN	DATE	SCALE	NOTES	FILE	NO.
RRJ	BDD	04/04	AS SHOWN	BDD	C03393	C30