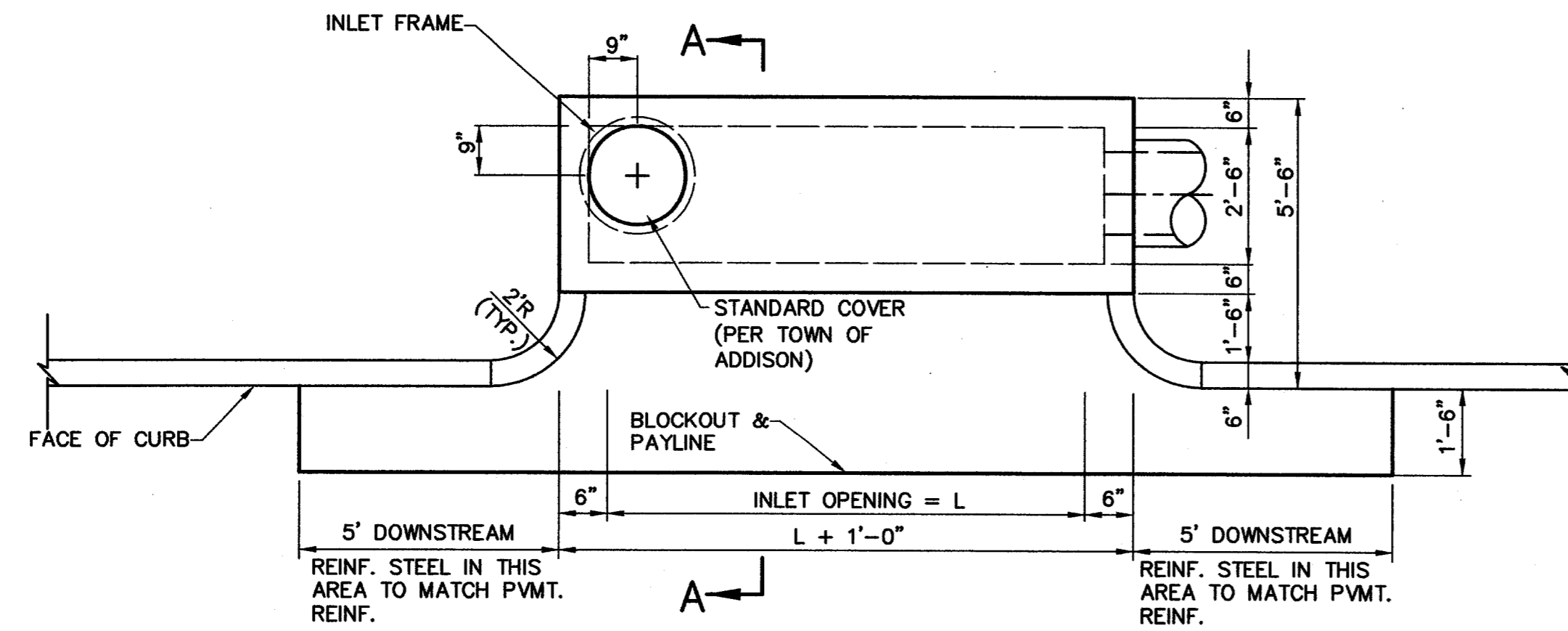


REINFORCING STEEL SCHEDULE

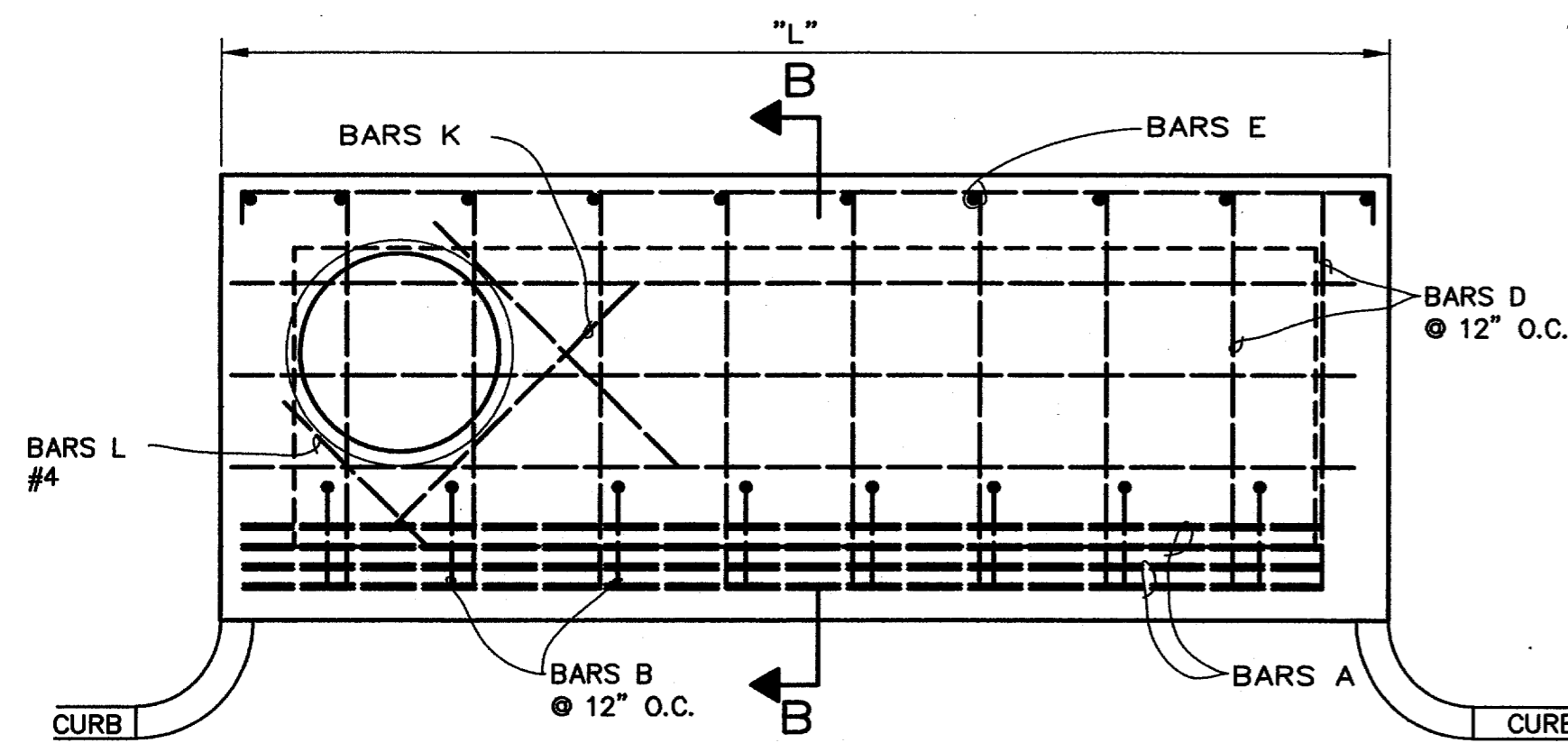
DIMENSIONS SHOWN ARE FOR MAXIMUM SIZE INLETS

INLET LENGTH	BAR TYPE	BAR DIA. (1/8")	NO. REQ'D.	BAR DIMENSIONS		
				A	B	C
6	A	3	8	6'-8"	0'-8 1/2"	
	B	3	5	•	•	•
	C	5	3	4'-6"	0'-8 1/2"	
	D	3	10	0'-8"	2'-6"	1'-0"
	E	5	3	4'-3"	3'-2"	3'-9"
	F	4	3	5'-8"	0'-8 1/2"	
	G	3	5	2'-0"	1'-3"	
	H	4	15	6'-8"	0'-6"	
	I	4	5	4'-8"		
	J	3	15	3'-2"	3'-2"	3'-2"
	K	3	2	2'-5"	0'-7"	
	L	4	1	3'-0"		
	M	4	1	3'-2"		
10	A	3	8	10'-8"	0'-8 1/2"	
	B	3	9	•	•	•
	C	5	16	7'-6"	0'-8 1/2"	
	D	3	18	0'-8"	2'-6"	1'-0"
	E	5	9	3'-9"	3'-2"	4'-3"
	F	4	3	9'-8"	0'-8 1/2"	
	G	3	9	2'-0"	1'-3"	
	H	4	16	10'-8"	0'-6"	
	I	4	12	4'-8"		
	J	4	8	4'-8"	3'-2"	3'-2"
	K	3	2	2'-5"	0'-7"	
	L	4	1	3'-0"		
	M	4	8	3'-2"		

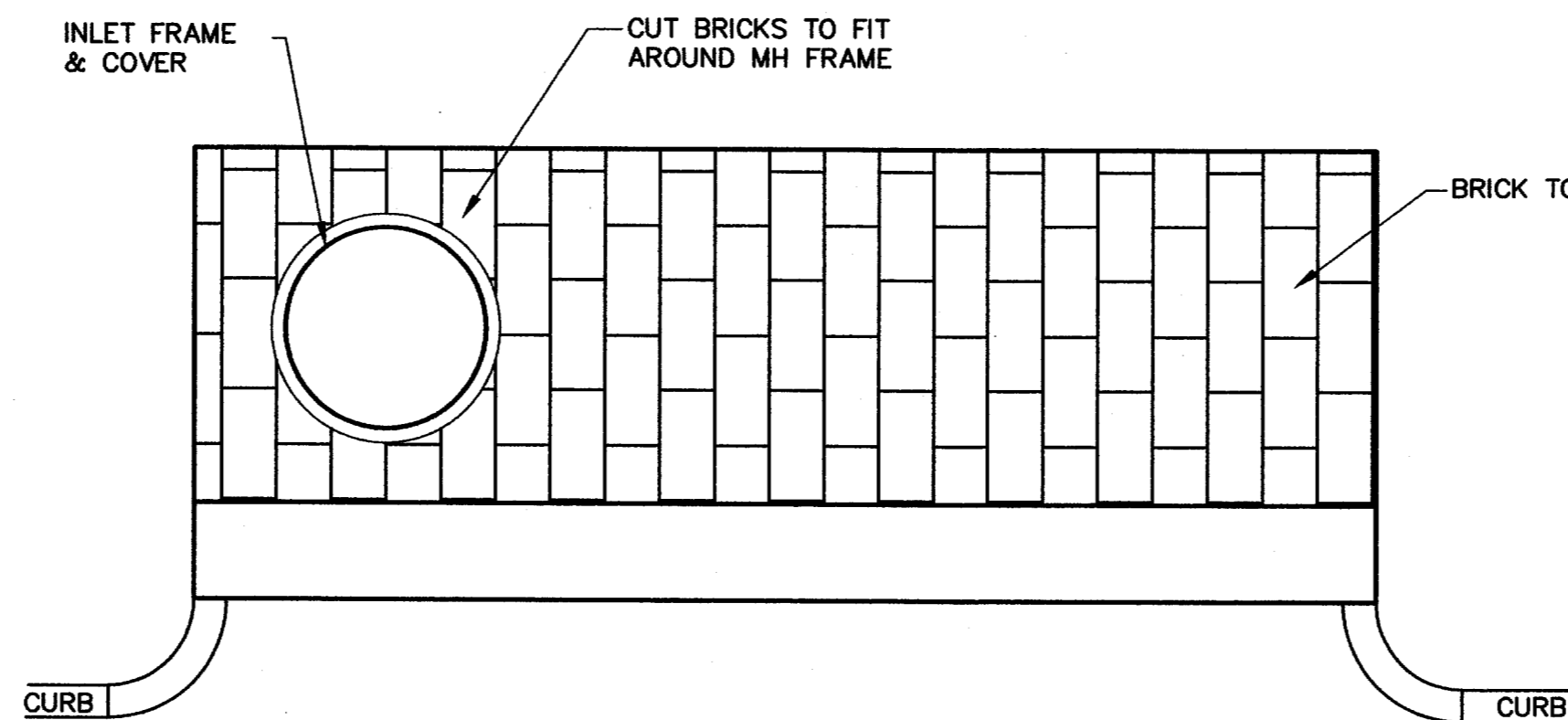
SEE DIAGRAM FOR DIMENSIONS



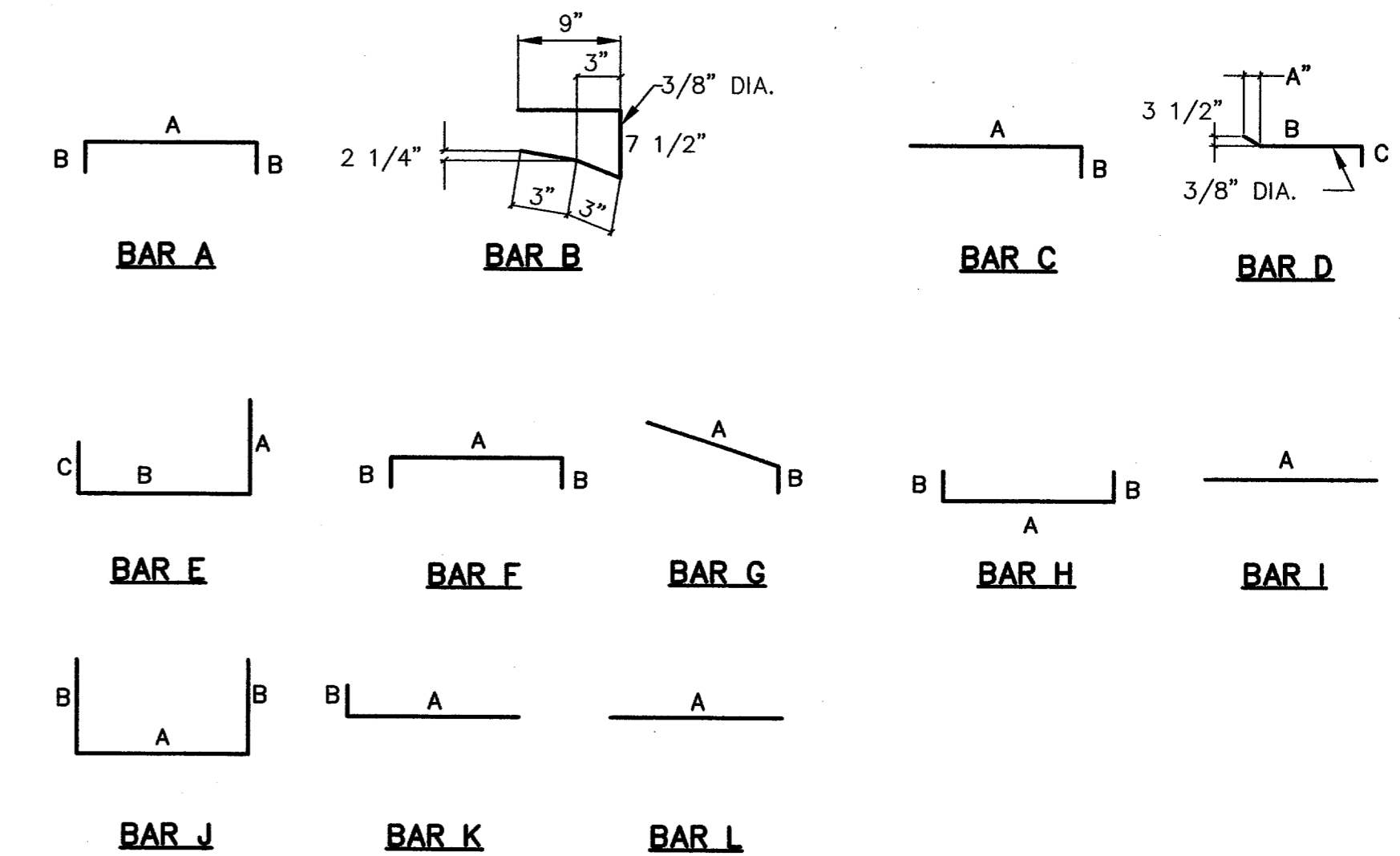
PLAN - MODIFIED RECESSED INLET WITH BRICK TOP
NTS



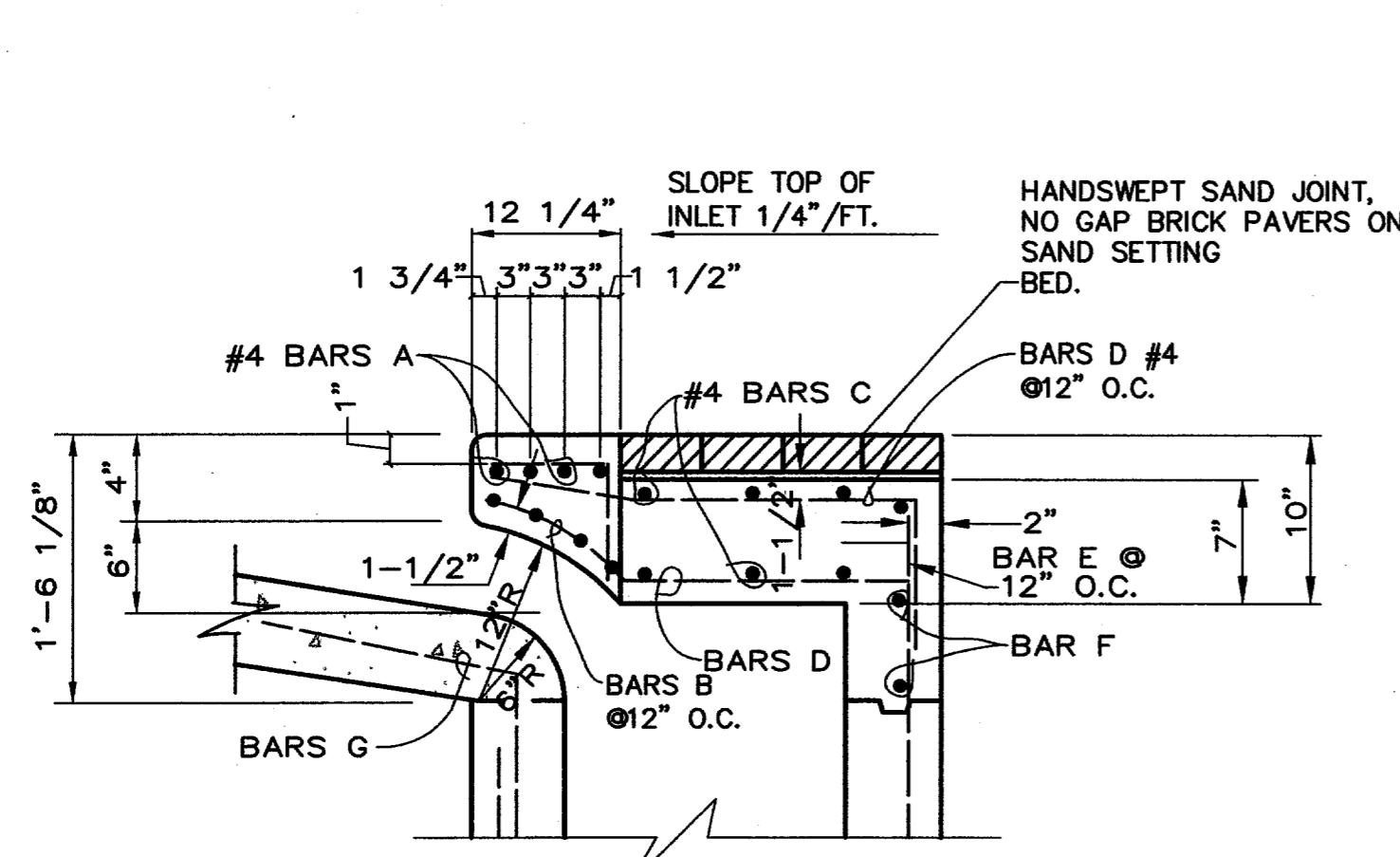
INLET PLAN REINFORCING STEEL FOR BRICK ON INLET
NTS



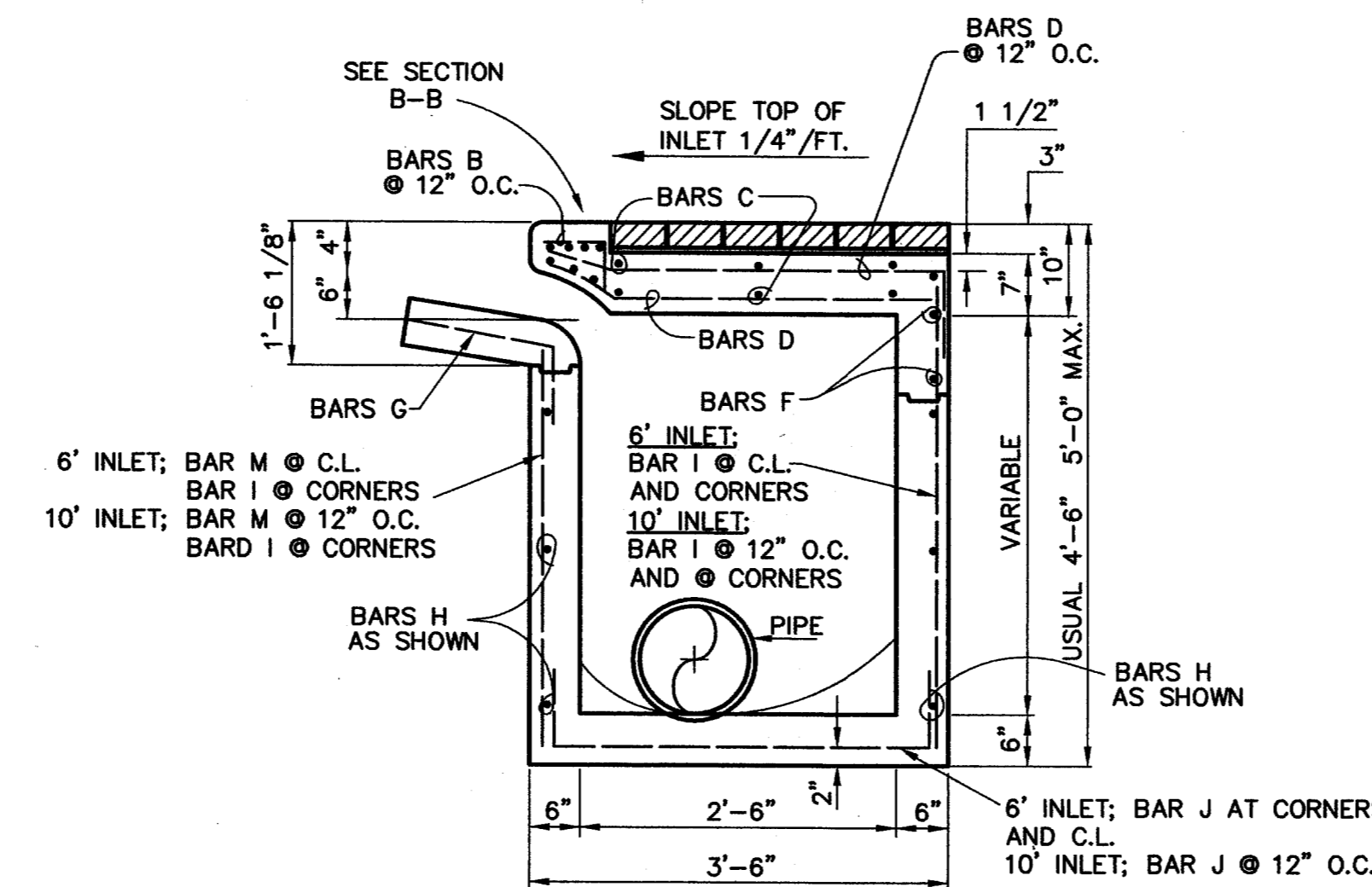
INLET PLAN BRICK ON INLET
NTS



BAR DIAGRAMS



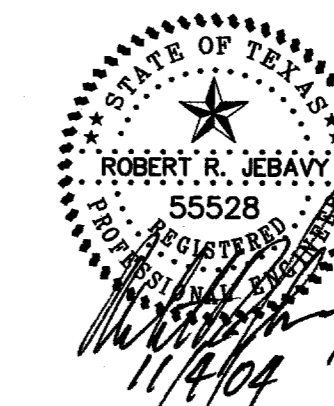
SECTION B-B DETAIL BRICK ON INLET
nts



SECTION A-A 6' & 10' INLETS W/ BRICK TOP
NTS

NOTE:
ALL INLET AND MANHOLE WALLS SHALL BE FORMED. POURING AGAINST EXPOSED EARTH WILL NOT BE PERMITTED.

AS-BUILT
NOVEMBER 4, 2004



NOTE:
THESE PLANS HAVE BEEN REVISED TO CONFORM WITH CONSTRUCTION RECORDS PROVIDED BY CONTRACTOR.

DRAINAGE DETAILS
PARKVIEW AT ADDISON CIRCLE
TOWN OF ADDISON, TEXAS
DALLAS COUNTY

BROCKETTE · DAVIS · DRAKE, Inc.
consulting engineers
Civil & Structural Engineering · Surveying
4144 North Central Expressway, Suite 1100 Dallas, Texas 75204
(214)824-3647, fax (214) 824-7064

DESIGNED	DRAWN	DATE	SCALE	NOTES	FILE	NO.
RRJ	BDD	04/04	AS SHOWN	BDD	C03393	C31