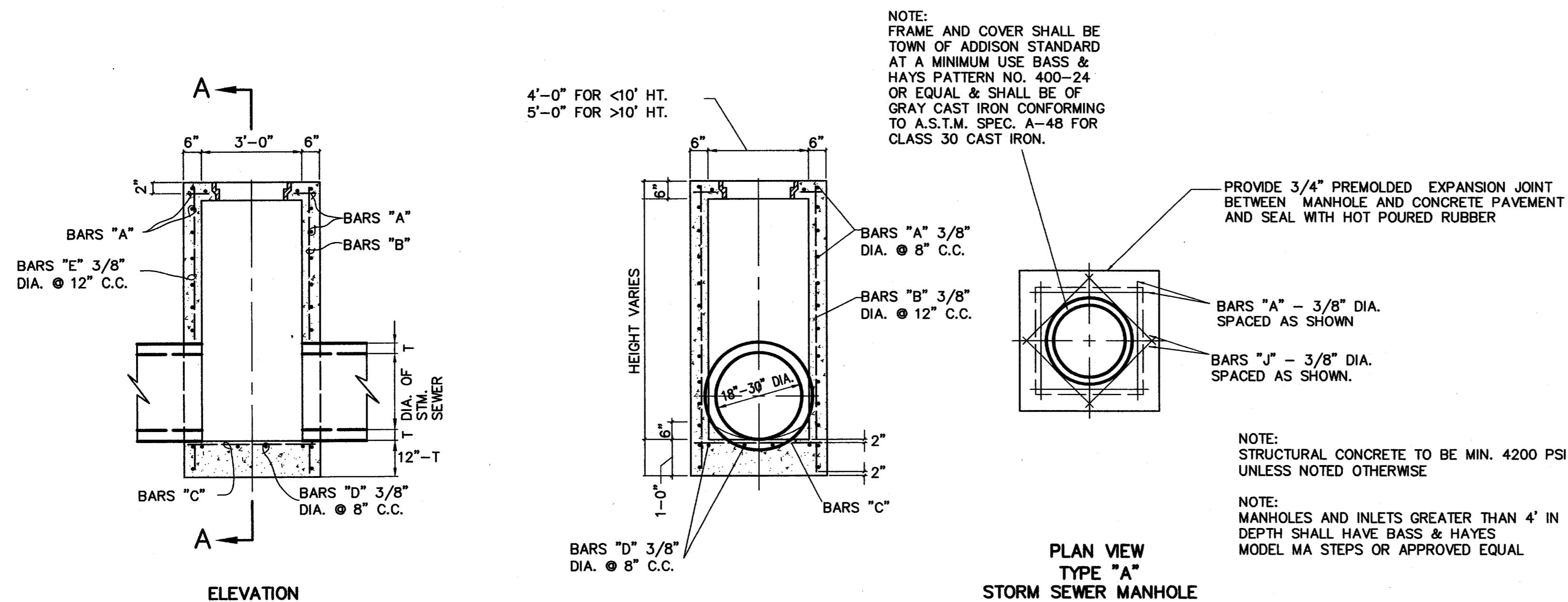


DEPTH OF BEDDING MATERIAL BELOW PIPE

D (INSIDE DIAMETER)	d (MIN.)
27"	3"
≤ 30" TO 60"	4"
≥ 66"	6"

EMBEDMENT DETAIL FOR STORM SEWER
NTS

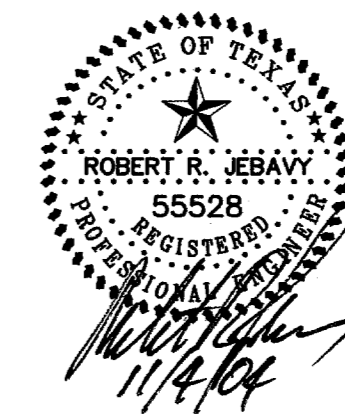


TYPE "A" STORM SEWER MANHOLE
(FOR PIPE 18" TO 30" IN DIAMETER)

NOTE:
ALL INLET AND MANHOLE WALLS SHALL BE FORMED. POURING AGAINST EXPOSED EARTH WILL NOT BE PERMITTED.

AS-BUILT
NOVEMBER 4, 2004

NOTE:
THESE PLANS HAVE BEEN REVISED TO CONFORM WITH CONSTRUCTION RECORDS PROVIDED BY CONTRACTOR.



DRAINAGE DETAILS						
PARKVIEW AT ADDISON CIRCLE						
TOWN OF ADDISON, TEXAS						
DALLAS COUNTY						
BROCKETTE · DAVIS · DRAKE, inc.						
consulting engineers						
Civil & Structural Engineering · Surveying						
4144 North Central Expressway, Suite 1100 Dallas, Texas 75204						
(214)824-3647, fax (214) 824-7064						
DESIGNED	DRAWN	DATE	SCALE	NOTES	FILE	NO.
RRJ	BDD	04/04	AS SHOWN	BDD	C03393	C32