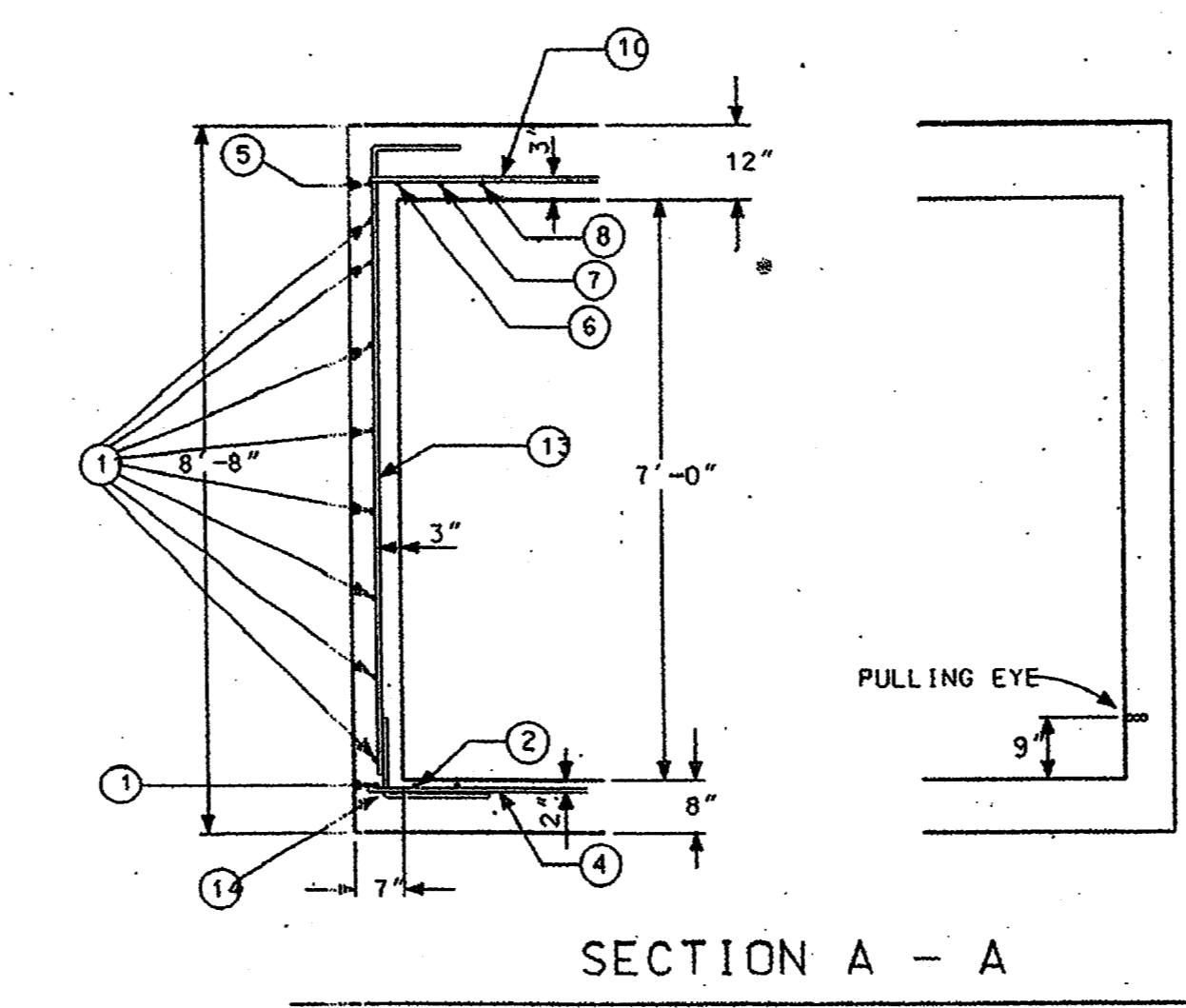
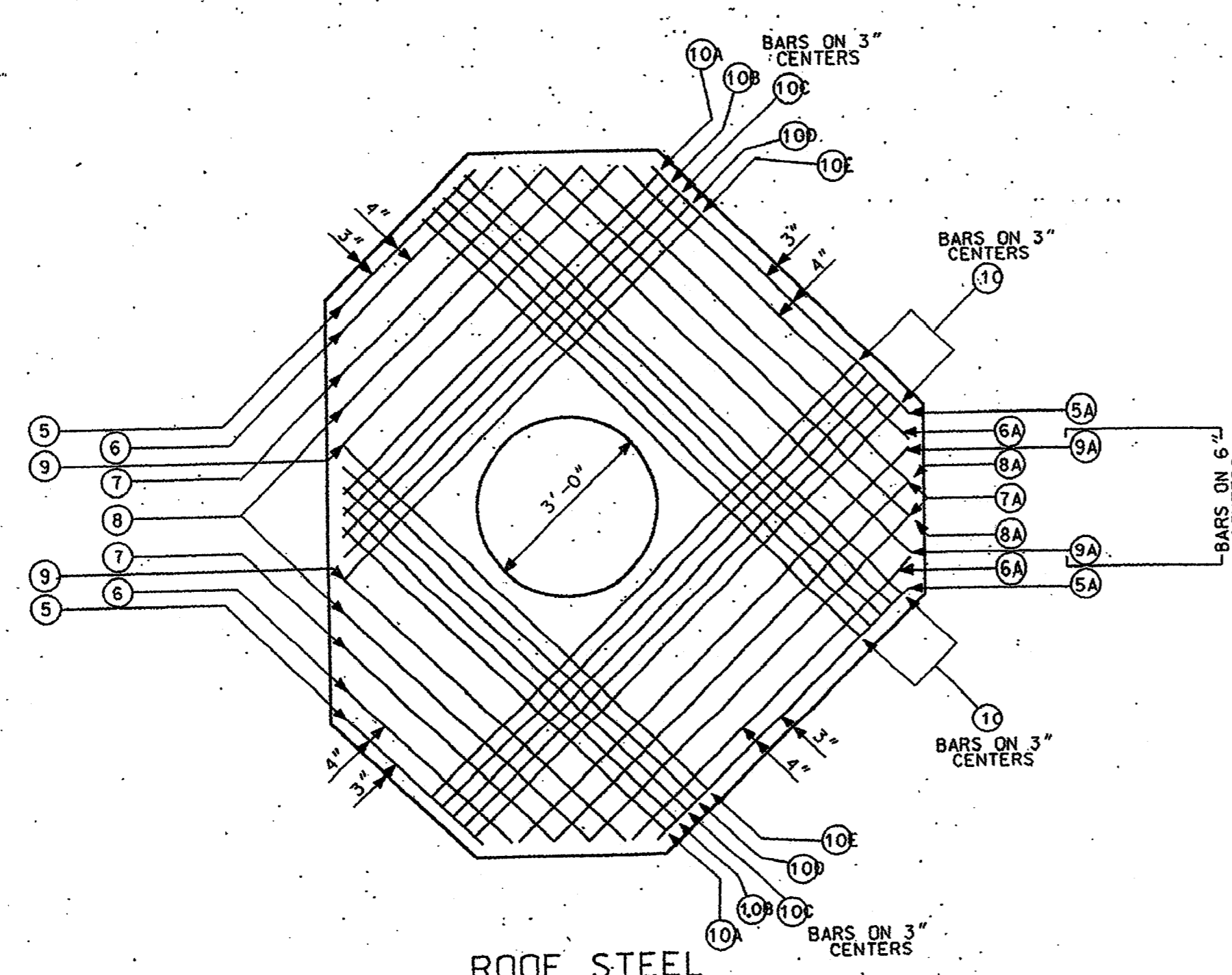
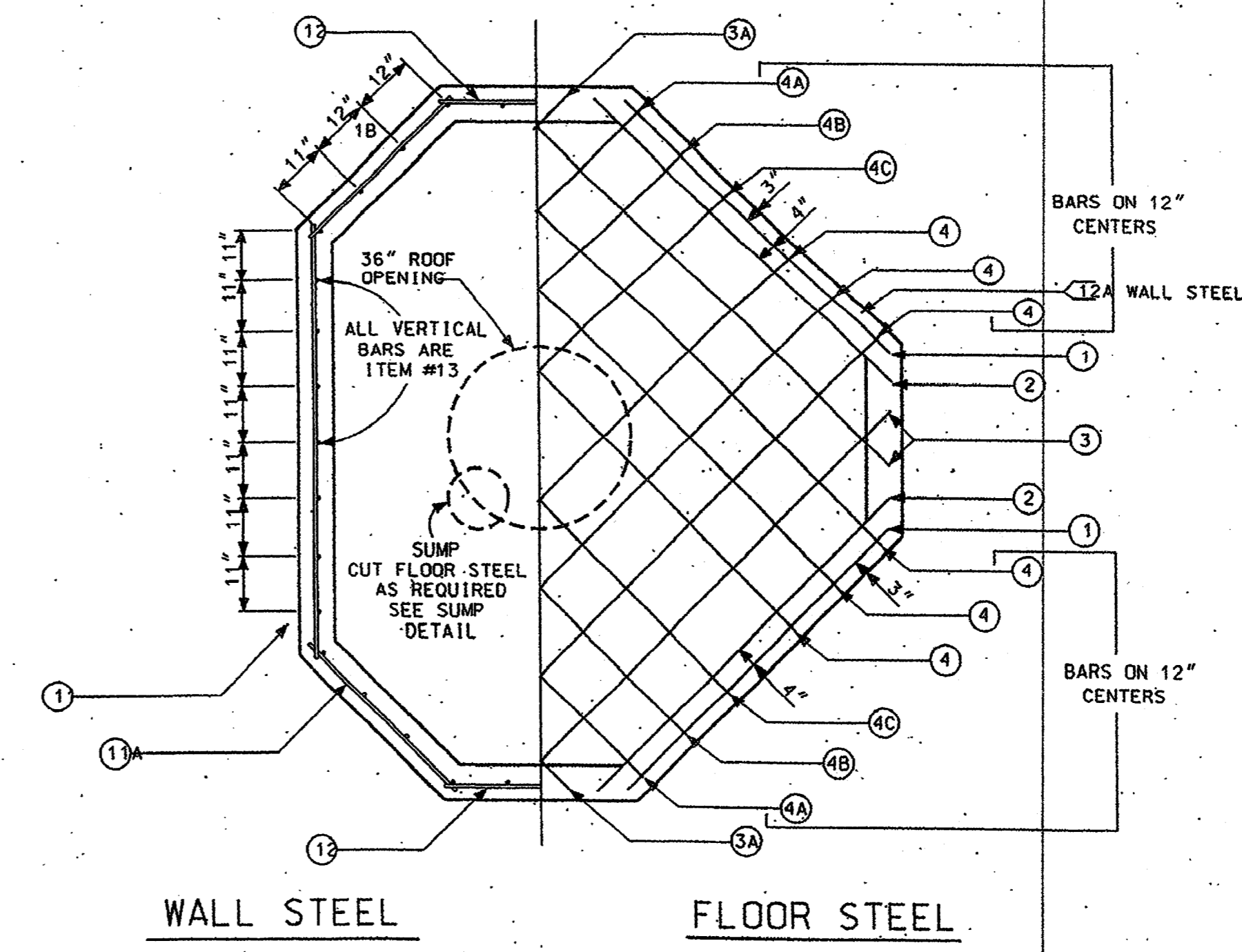
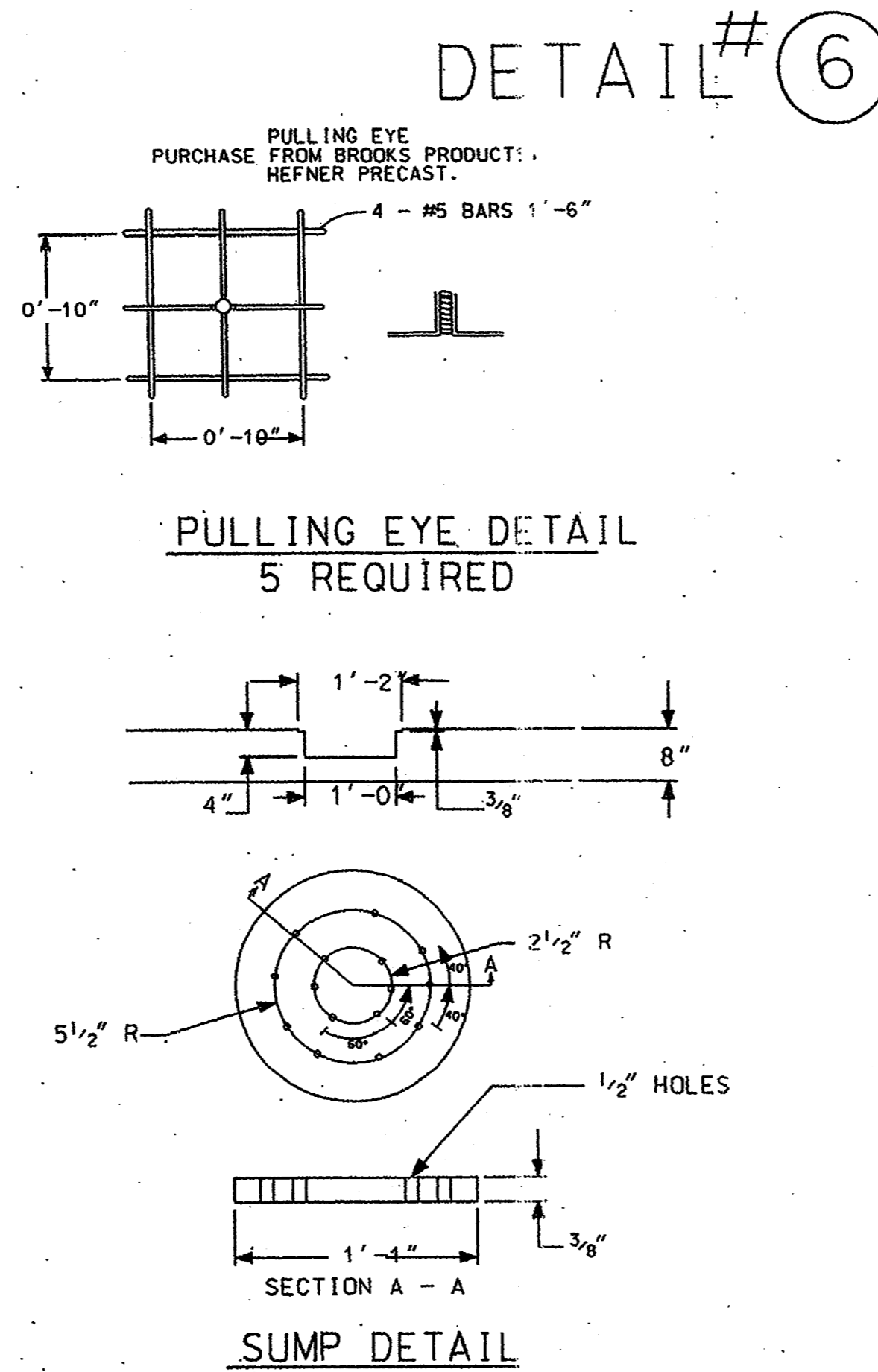
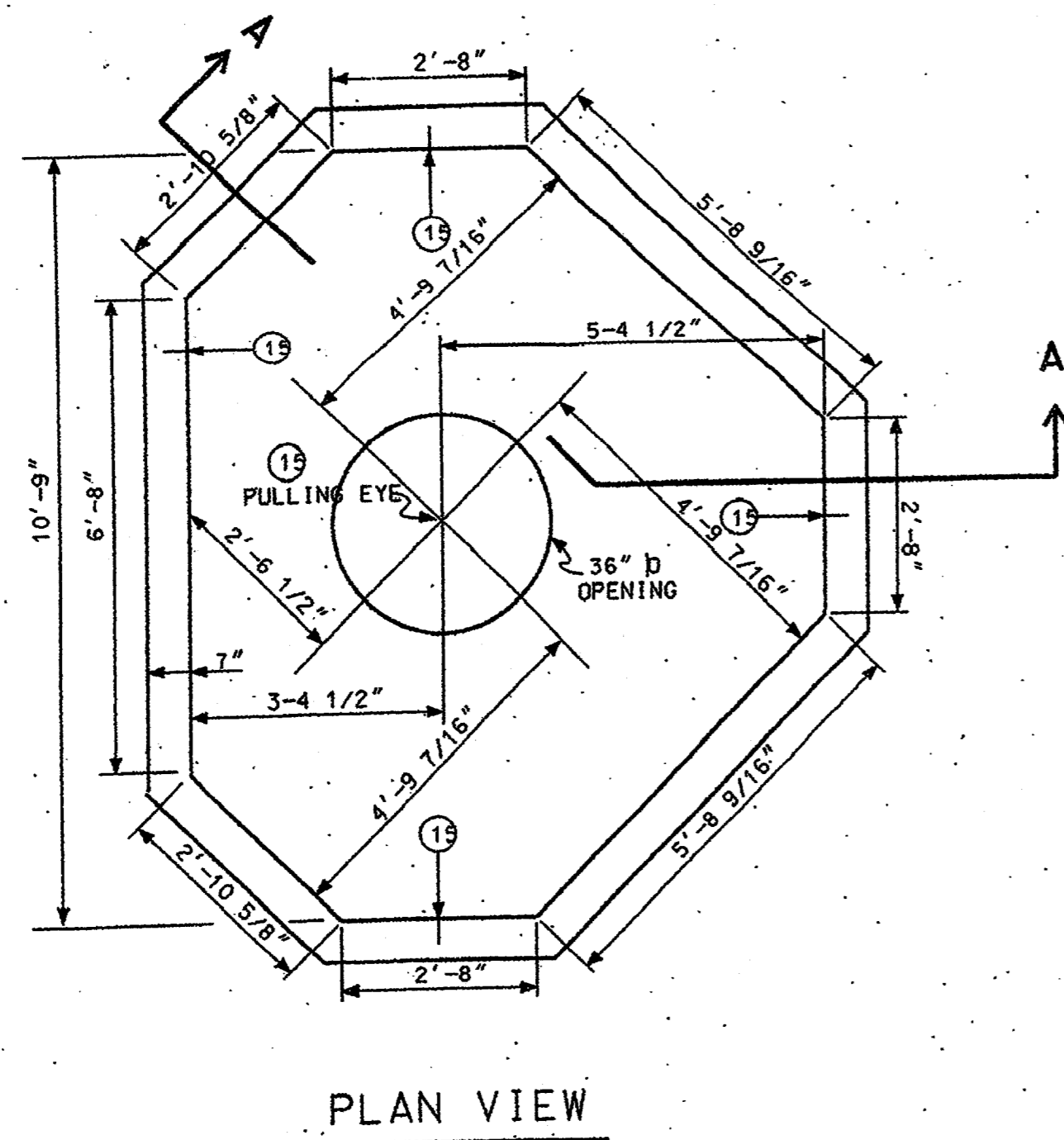


E NUA-1
SHEET NO. 4



AS-BUILT
NOVEMBER 4, 2004

NOTE:
THESE PLANS HAVE BEEN REVISED
TO CONFORM WITH CONSTRUCTION
RECORDS PROVIDED BY CONTRACTOR.

MATERIALS FOR POURED IN PLACE MANHOLE							
MARK	LENGTHS		QUANTITY			SHAPE	SIZE
	FT.	IN.	FLOOR	WALLS	ROOF		
1	6	1	2			12'-2"	ST. #5
1A	3	1	2			6'-2"	ST. #5
1B	3	6	2			7'-0"	ST. #5
1C	7	3	1			7'-3"	ST. #5
2	6	10	2			13'-8"	ST. #5
2A	3	1	2			6'-2"	ST. #5
2B	3	3	2			6'-6"	ST. #5
2C	7	5	1			7'-5"	ST. #5
3	8	10	2			17'-8"	ST. #5
3A	5	11	2			11'-10"	ST. #5
4	10	3	6			51'-6"	ST. #5
4A	7	7	2			15'-2"	ST. #5
4B	8	8	2			17'-4"	ST. #5
4C	9	7	2			19'-2"	ST. #5
5	3	1			2	6'-2"	ST. #5
5A	6	0			2	12'-0"	ST. #5
6	3	10			2	7'-8"	ST. #5
6A	6	7			2	13'-2"	ST. #5
7	4	10			2	9'-8"	ST. #5
7A	7	8			2	15'-4"	ST. #5
8	5	8			2	11'-4"	ST. #5
8A	8	6			2	17'-0"	ST. #5
9	6	6			2	13'-0"	ST. #5
9A	9	5			2	18'-10"	ST. #5
10	10	3			10	102'-6"	ST. #5
10A	7	6			2	15'-0"	ST. #5
10B	7	9			2	15'-6"	ST. #5
10C	8	0			2	16'-0"	ST. #5
10D	8	3			2	16'-6"	ST. #5
10E	8	6			2	17'-0"	ST. #5
11	7	4		8		58'-8"	ST. #5
11A	3	6		16		56'-0"	ST. #5
12	3	2		24		76'-0"	ST. #5
12A	6	1		16		97'-4"	ST. #5
13	8	9		36		315'-0"	ST. #5
14	3	4	36			120'-0"	2" X 1'-4" BOLT
15			1	4		5'-0"	PULLING EYE
CONCRETE			1.94 CU. YDS.	5.35 CU. YDS.	3.95 CU. YDS.	11.14 CU. YDS.	3000 PSI
MANHOLE COVER & FRAME					1 EA.		3'-0" OPENING
VENDOR:	WESTERN IRON WORKS, 21 EAST SIXTH ST., SAN ANGELO TX. 76903						
OR:	HEFNER PRECAST, DIVISION OF BROOKS PRODUCTS, 2229 NORTH MAIN, CLEBURNE TX. 76031						
STEEL TO CONFORM TO THE LATEST STANDARD SPECIFICATION FOR DEFORMED BILLET-STEEL BARS FOR CONCRETE REINFORCEMENT.							
SEE DETAIL #39 FOR CONCRETE SPECIFICATION.							
GENERAL NOTES SIMILAR TO TYPE "C" MANHOLE, SHEET #1							

"TYPE - 3-WAY"
10'-9" X 8'-9" X 7'-0"

TU ELECTRIC

CD

SCALE (H=)	LIST OF DRAWINGS	W.A.	ESTIMATE	UNIT ID	DATE	NO.	DATE	NO.	DATE	NO.	DATE
(V=1/2"=1')	NETWORK UNDERGROUND APPURTENANCE SHEETS MANHOLE DETAILS										

DATE: 05-12-92
DRAWN: MED
CH. JRC
ENG. JRC
APP. JES
APP. PRN

E NUA-1
SHEET NO.

©Copyright 2003 Brockett/Davis/Drake, Inc. All Rights Reserved. This drawing is the property of Brockett/Davis/Drake, Inc. Any modification or use of this drawing without the express written authorization of Brockett/Davis/Drake, Inc. is prohibited.