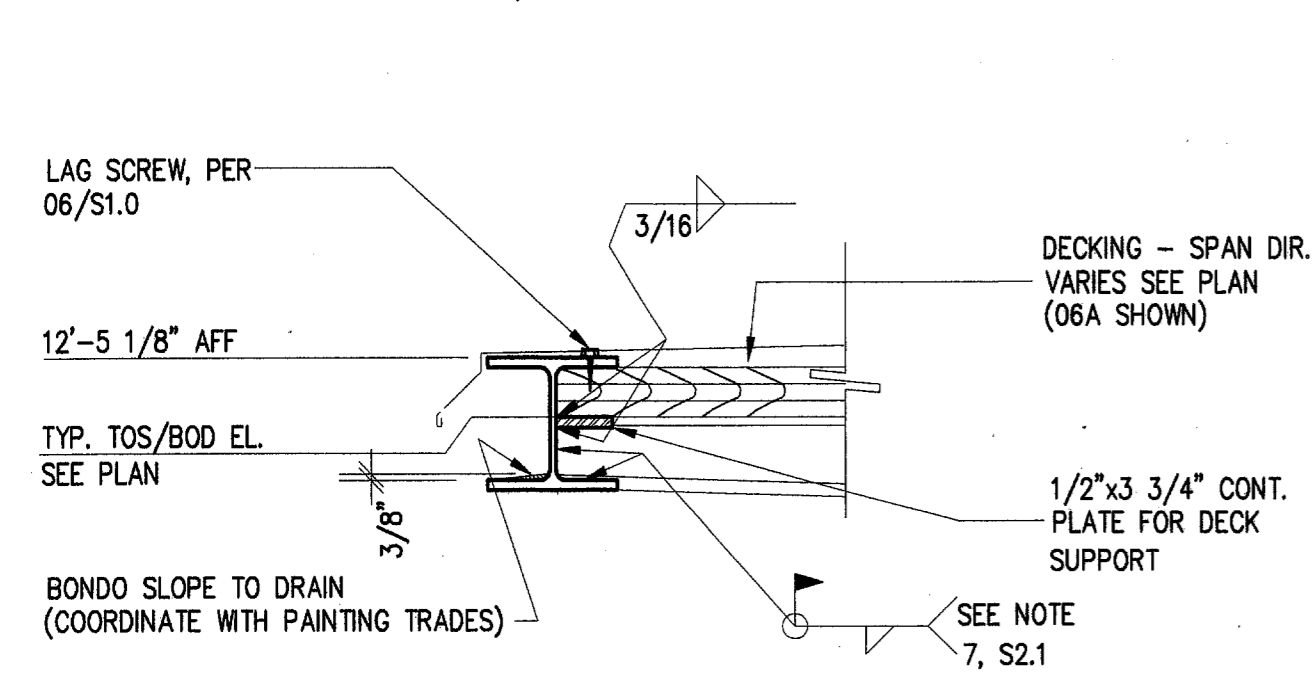
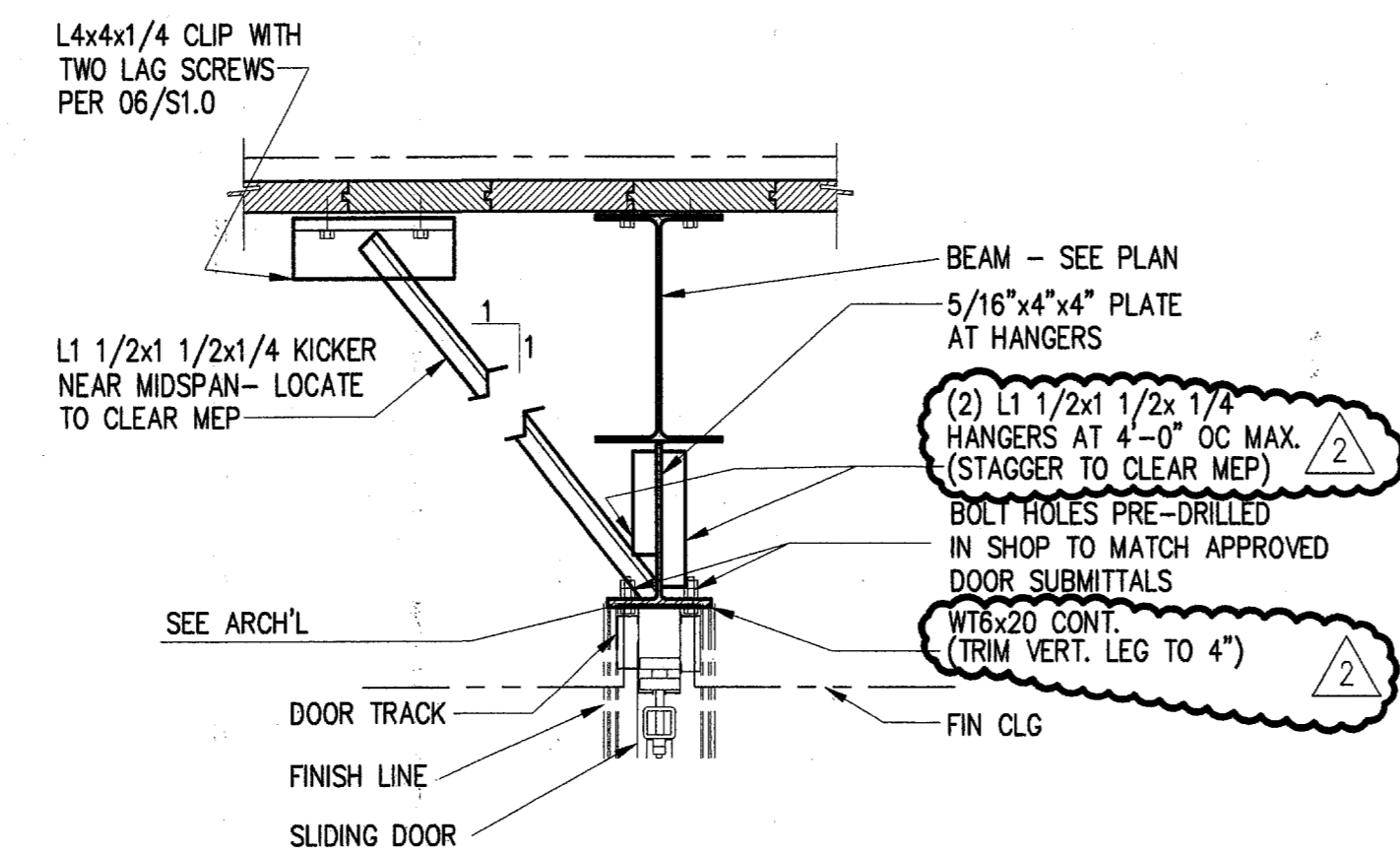


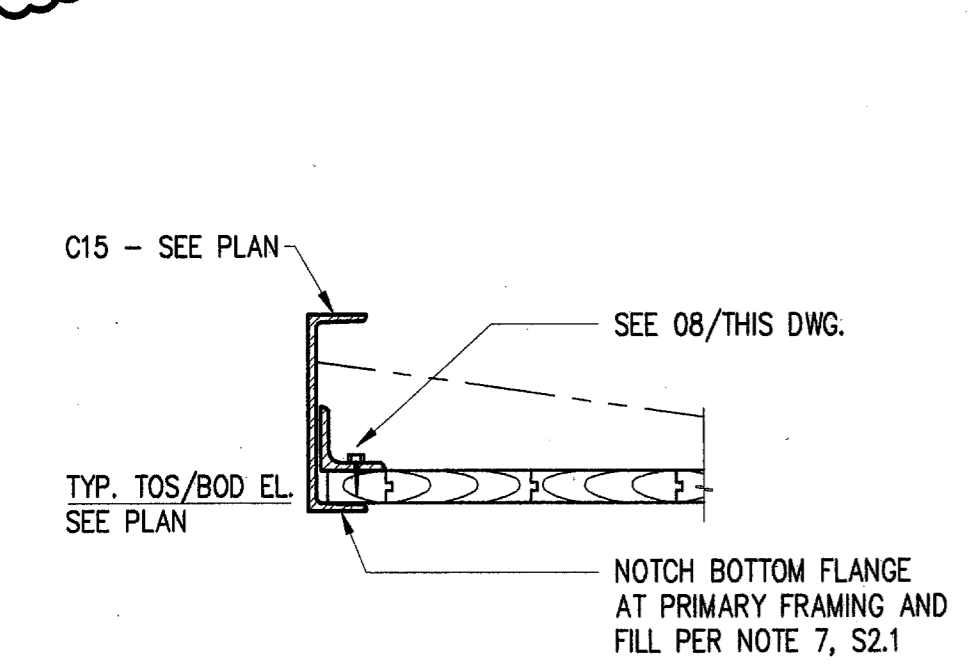
**01 CUSTOM TAPERED WIDE FLANGE ELEVATIONS**  
SCALE: 1/2" = 1'-0"



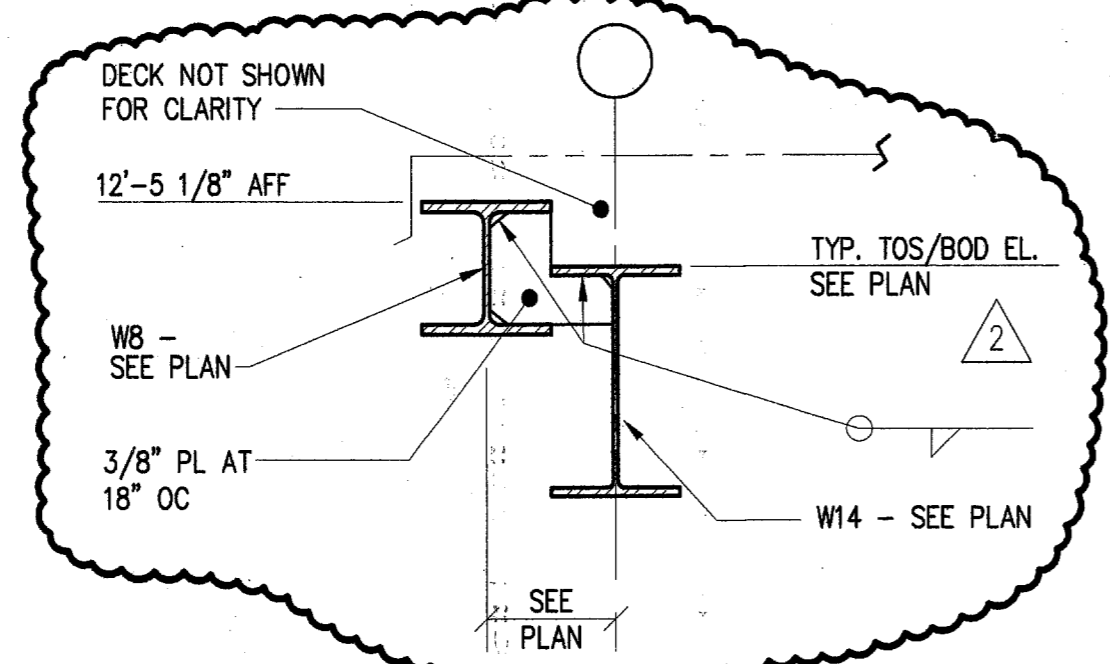
**06/06A TYPICAL SECTION AT EAVE**  
SCALE: 1" = 1'-0"



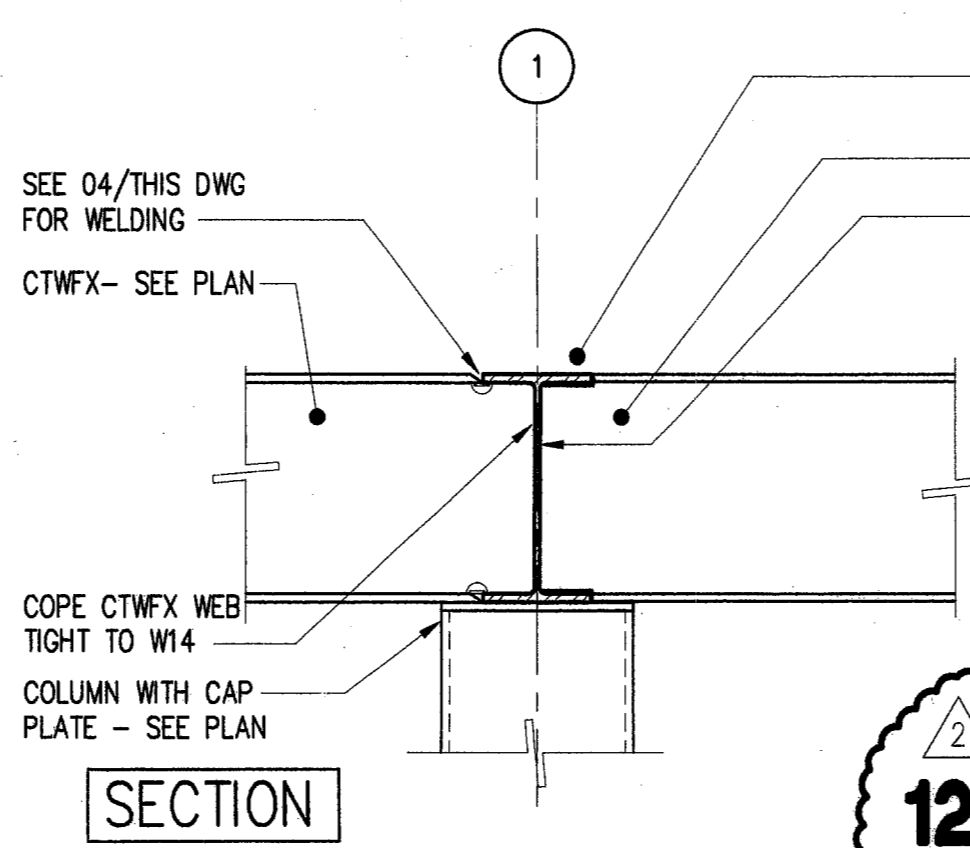
**07 TYPICAL SECTION AT SLIDING DOOR**  
SCALE: 1" = 1'-0"



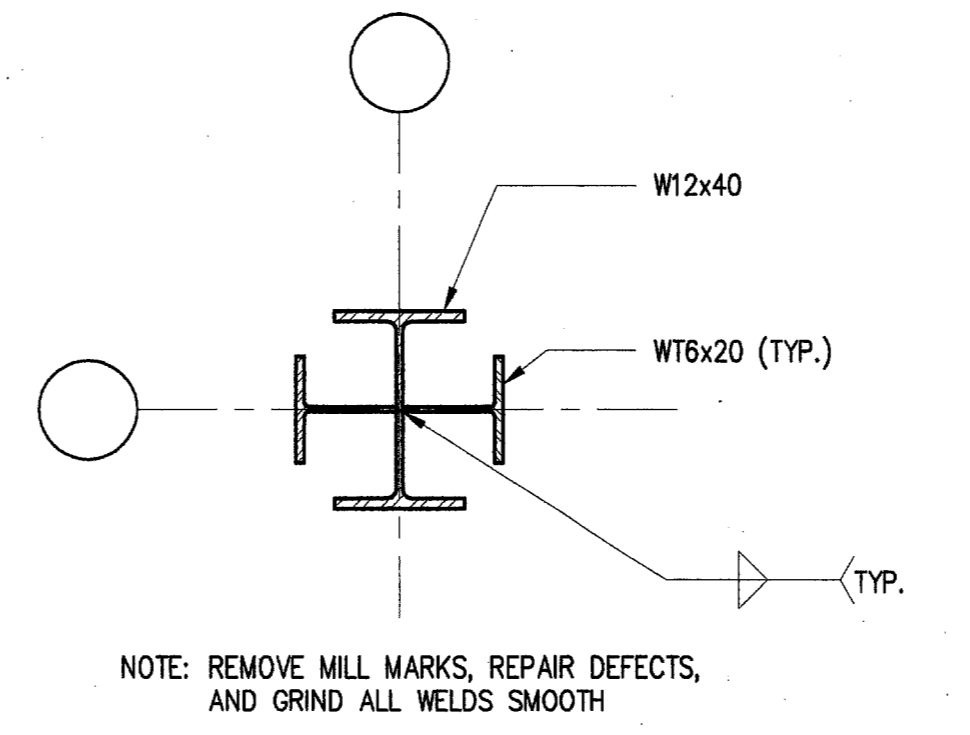
**10 SECTION**  
SCALE: 1" = 1'-0"



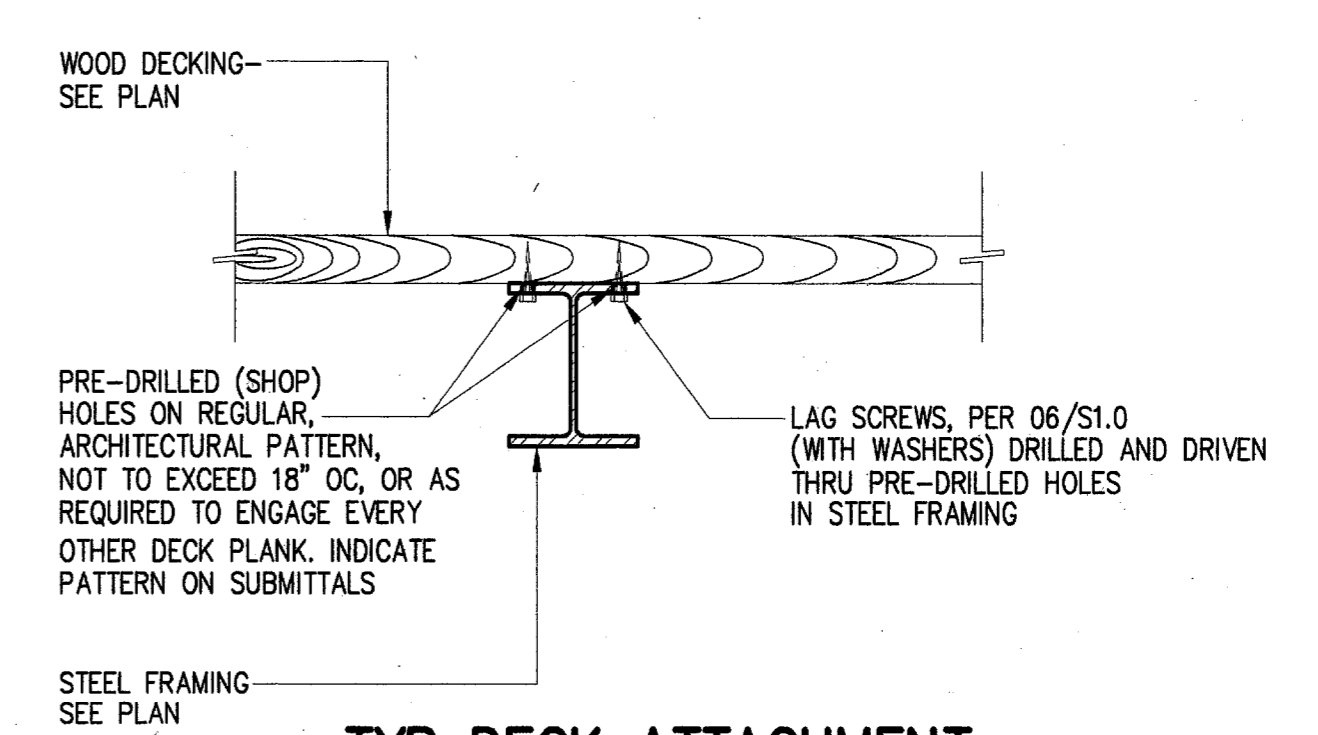
**11 SECTION**  
SCALE: 1" = 1'-0"



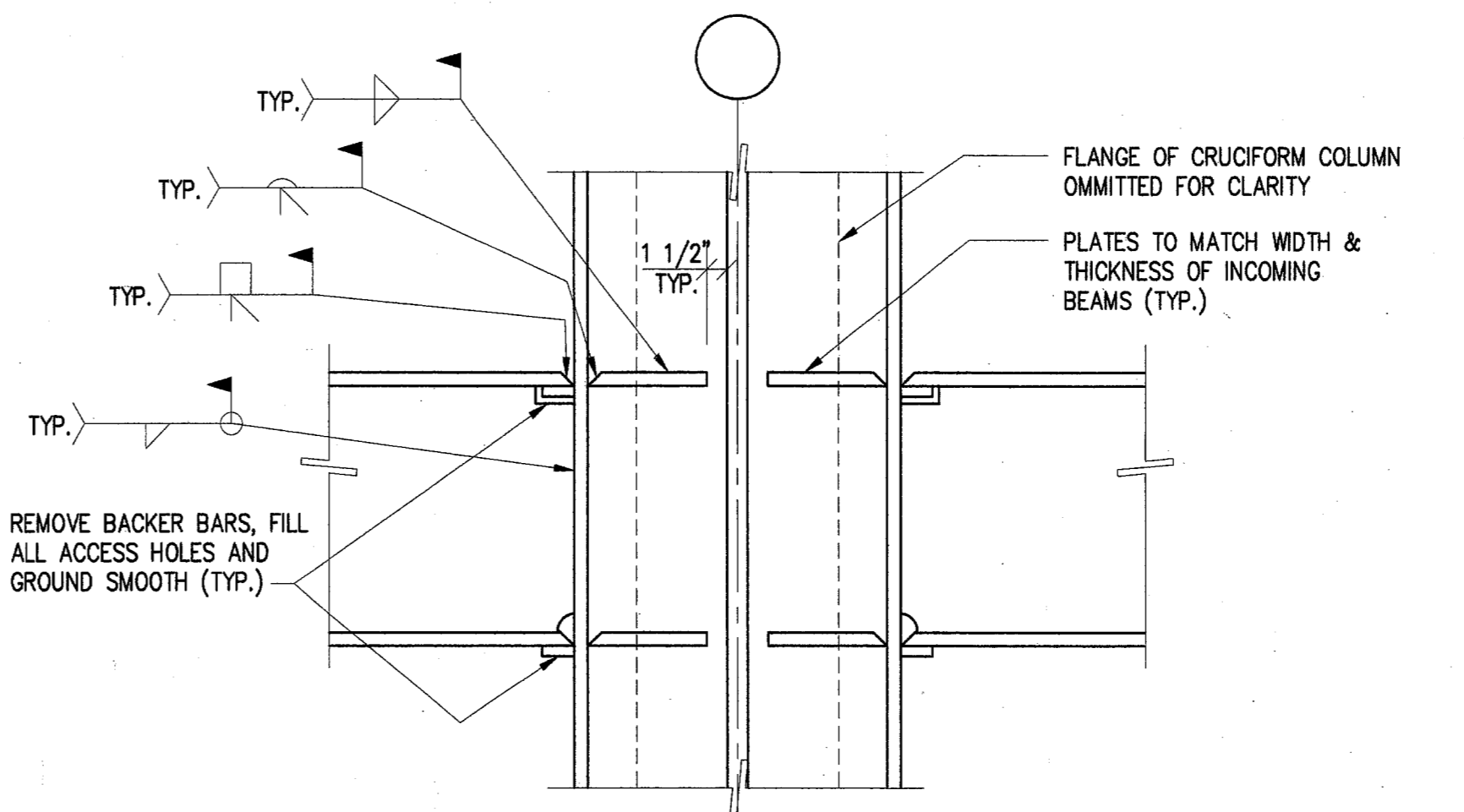
**12 DETAIL**  
SCALE: 1" = 1'-0"



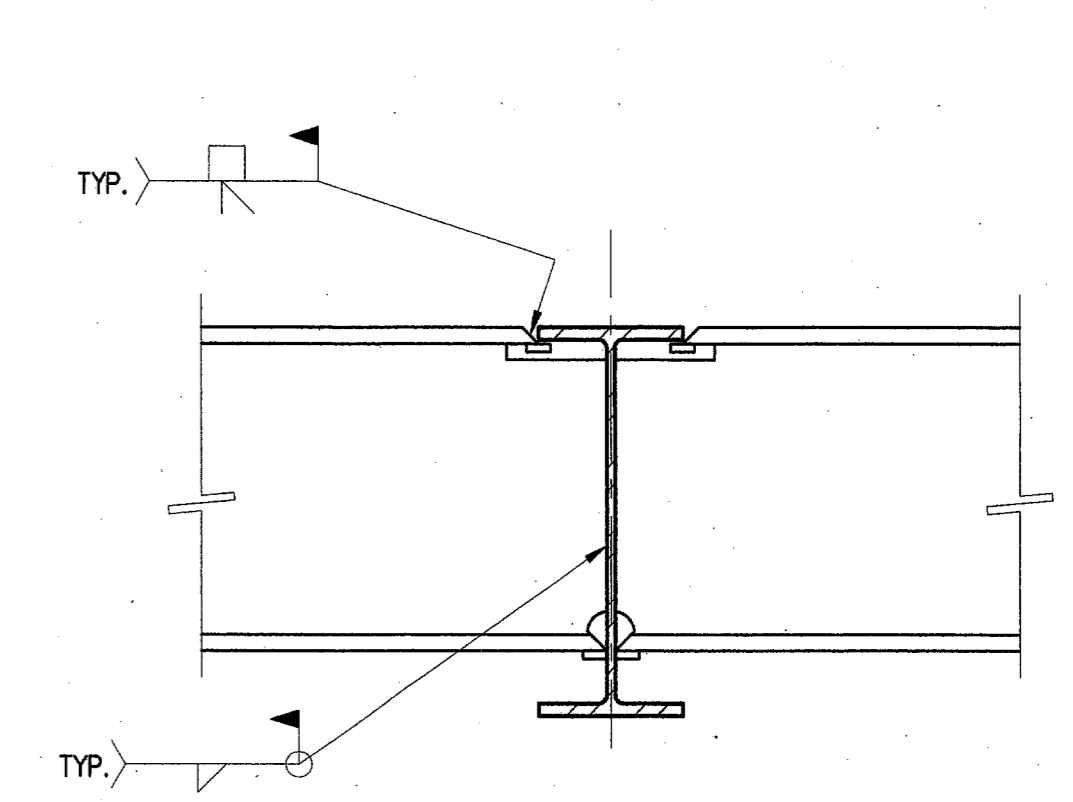
**02 TYPICAL CRUCIFORM COLUMN**  
SCALE: 1" = 1'-0"



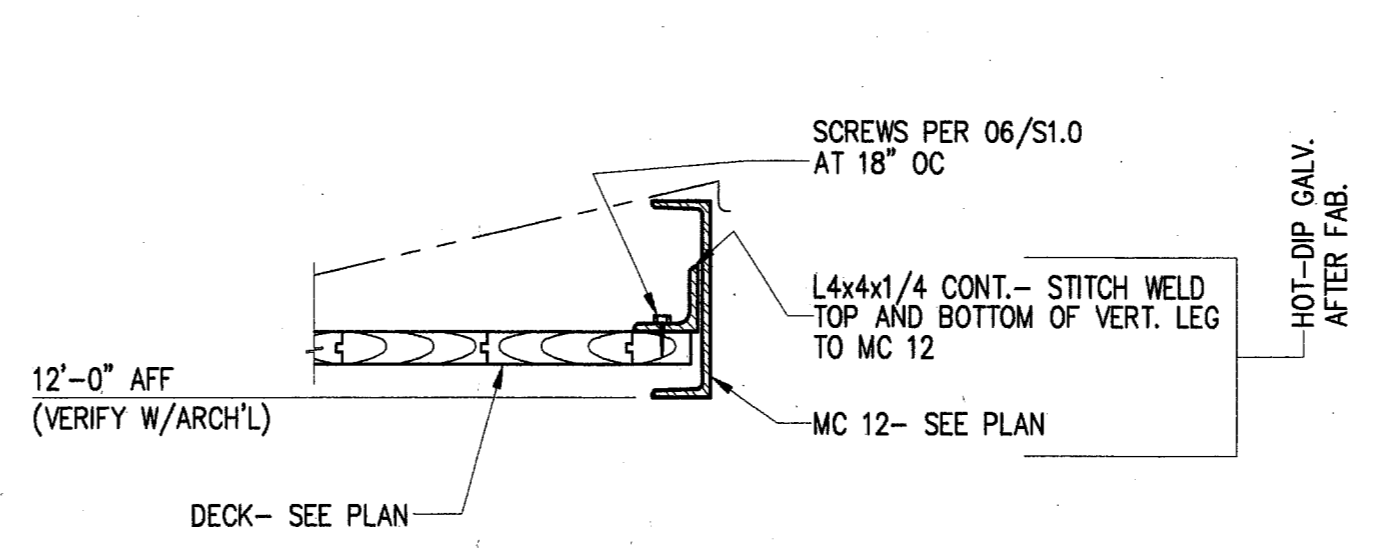
**03 TYP DECK ATTACHMENT**  
SCALE: 1" = 1'-0"



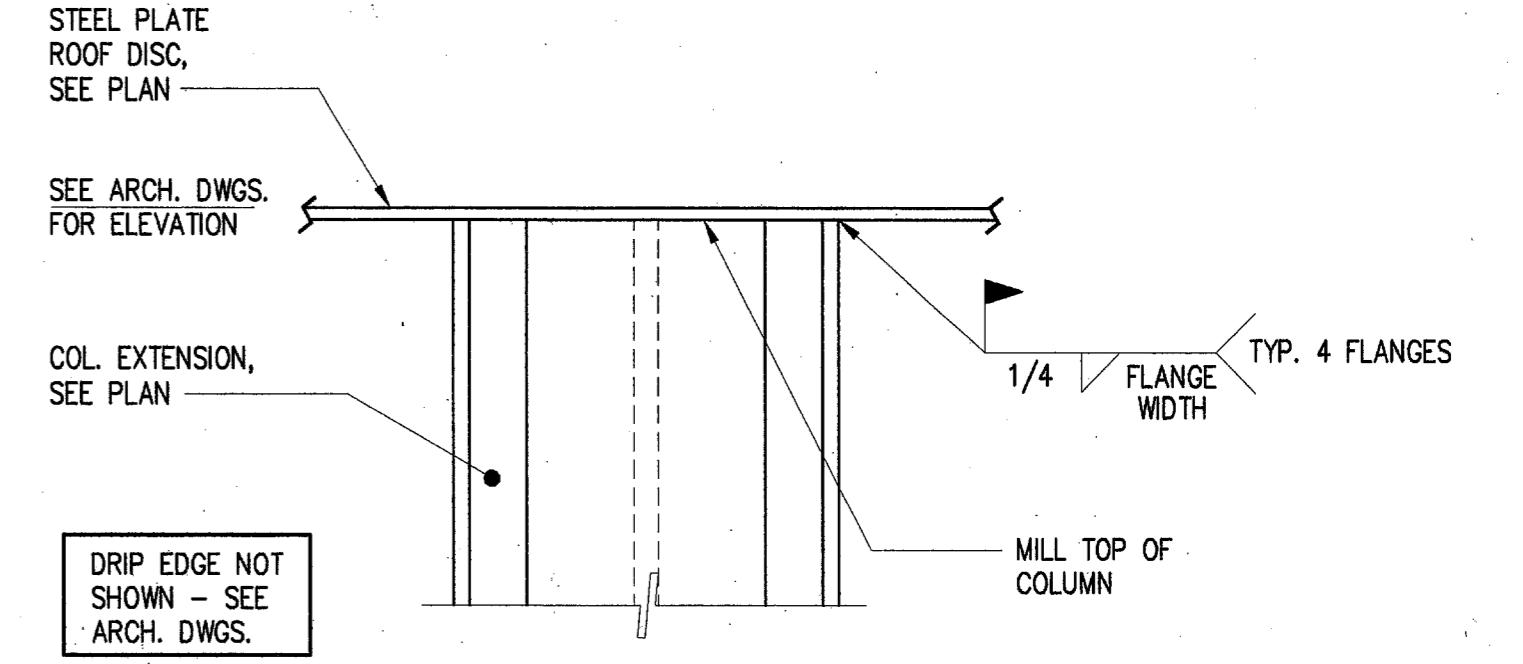
**04 TYPICAL MOMENT CONNX. AT CRUCIFORM COLUMN**  
SCALE: 1 1/2" = 1'-0"



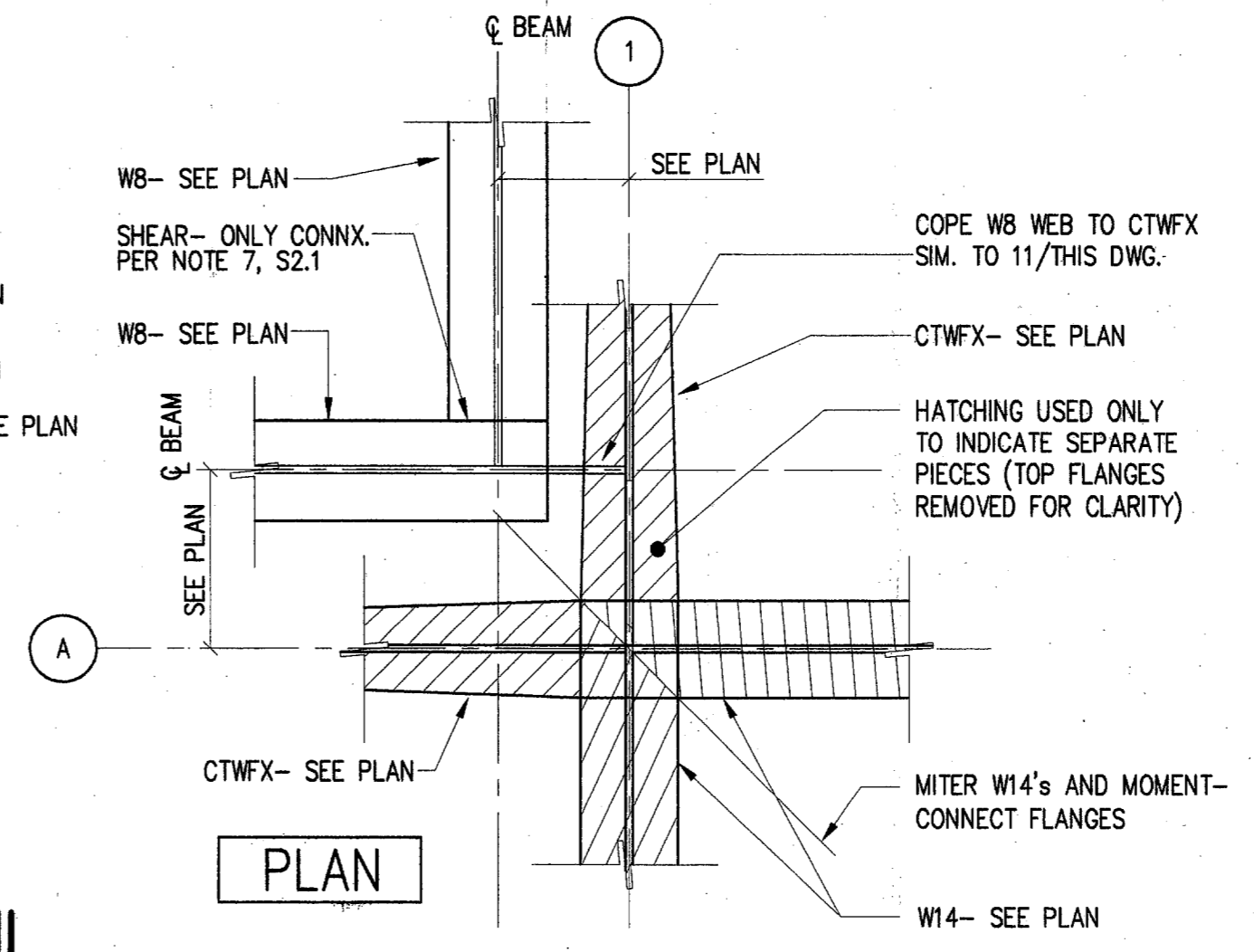
**05 TYPICAL BEAM TO BEAM MOMENT CONNX.**  
SCALE: 1" = 1'-0"



**08 SECTION**  
SCALE: 1" = 1'-0"



**09 SECTION**  
SCALE: 1 1/2" = 1'-0"



**13 DETAIL**  
SCALE: 1" = 1'-0"

