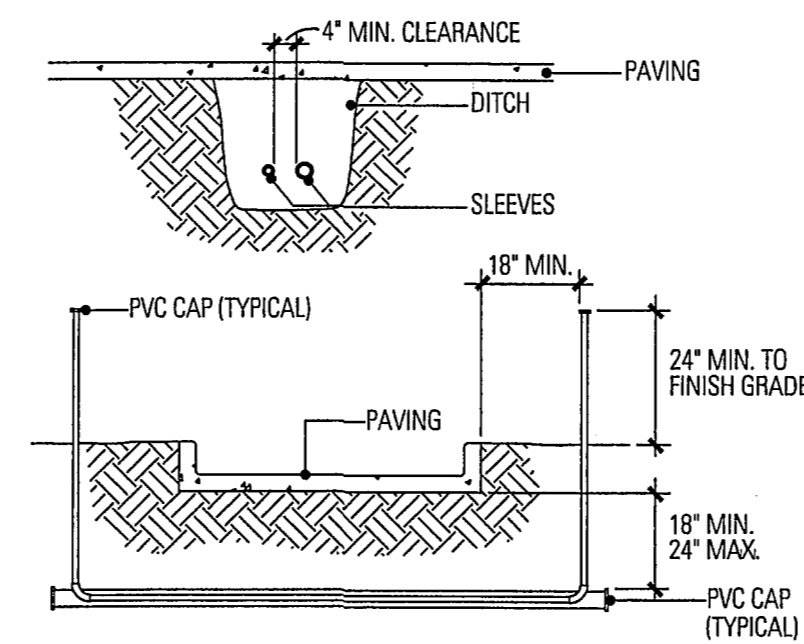
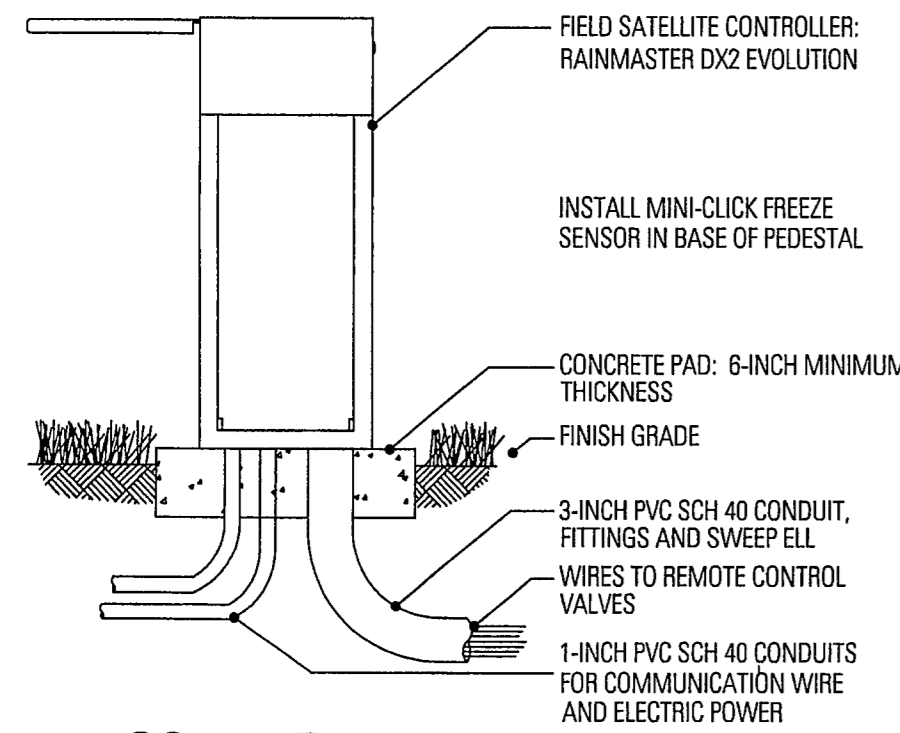


6 HIGH POP-UP SPRAY HEAD

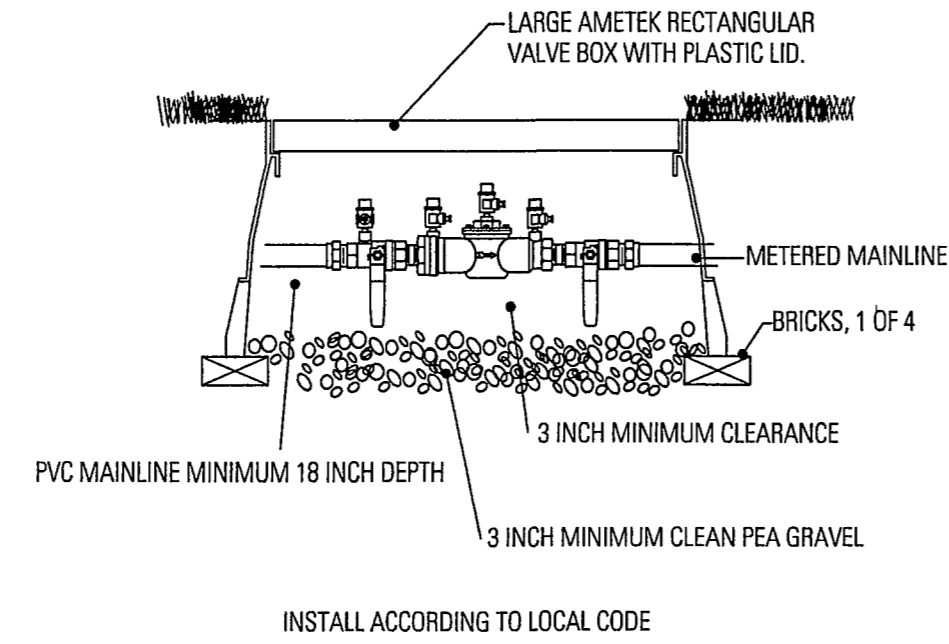


NOTES:
 1. ALL PVC IRRIGATION SLEEVES TO BE CLASS 200 PIPE.
 2. ALL JOINTS TO BE SOLVENT WELDED AND WATERTIGHT.
 3. WHERE THERE IS MORE THAN ONE SLEEVE, EXTEND THE SMALLER SLEEVE TO 24-INCHES MINIMUM ABOVE FINISH GRADE.
 4. MECHANICALLY TAMP TO 95% PROCTOR.

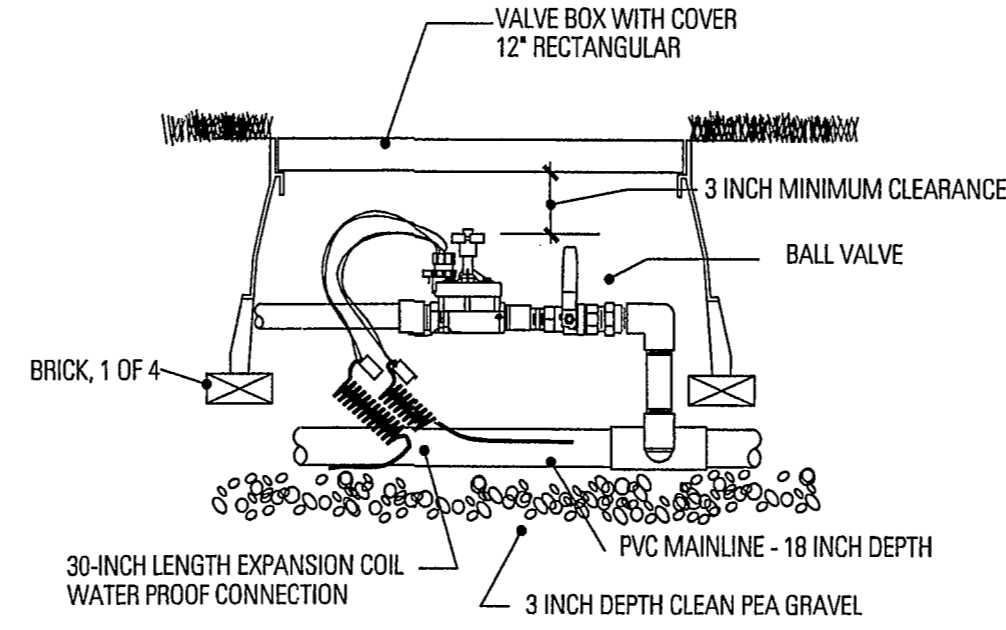
3 SLEEVING



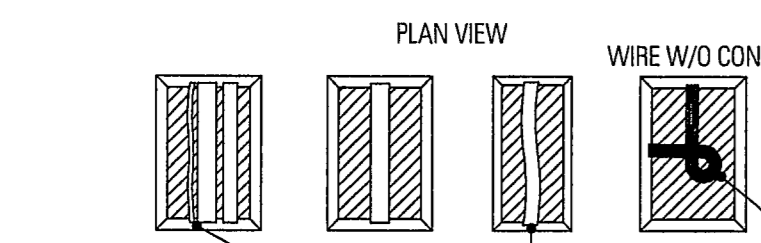
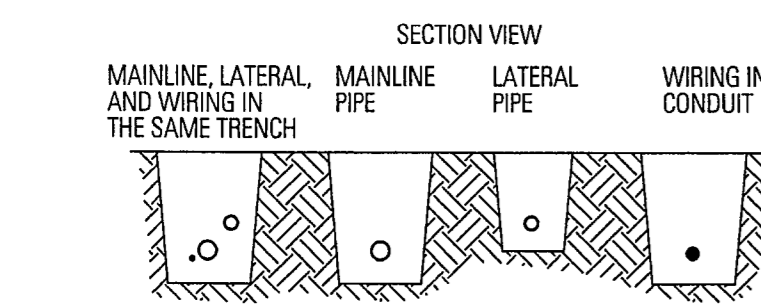
8 CONTROLLER



5 BACKFLOW PREVENTOR

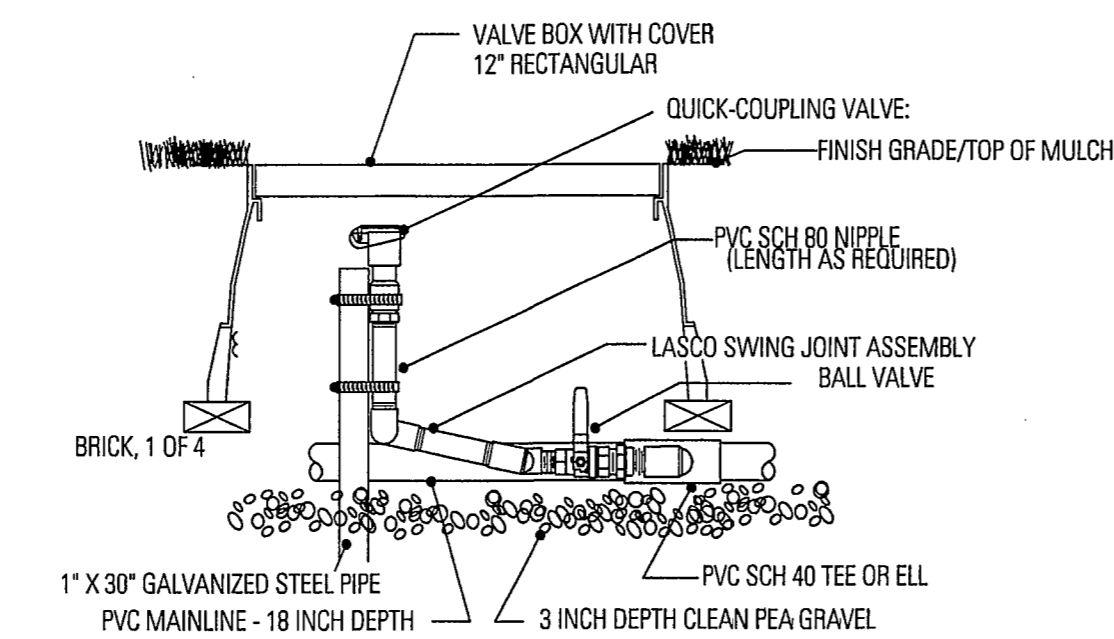


2 REMOTE CONTROL VALVE

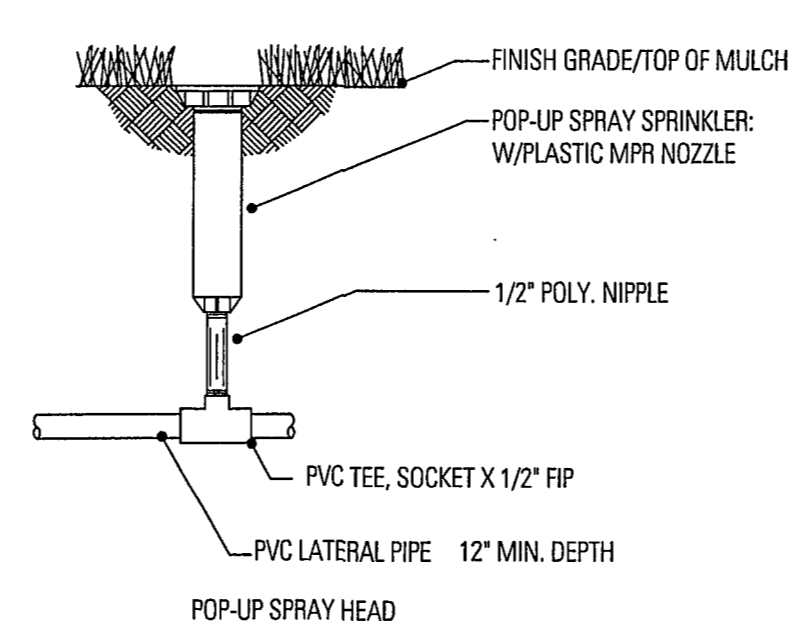


NOTES:
 1. SLEEVE BELOW ALL HARDSCAPE ELEMENTS WITH CLASS 200 PVC TWICE THE DIAMETER OF THE PIPE OR WIRE BUNDLE WITHIN.
 2. FOR PIPE AND WIRE BURIAL DEPTHS SEE SPECIFICATIONS.

7 TRENCH DETAIL



4 QUICK COUPLING VALVE



1 POP-UP SPRAY HEAD

INSTALLATION NOTES

- COORDINATE IRRIGATION INSTALLATION WITH PLANTING PLAN AND SITE CONDITIONS TO PROVIDE COMPLETE COVERAGE WITH MINIMUM OVERSPRAY. THE IRRIGATION CONTRACTOR SHALL MAKE MINOR ADJUSTMENTS TO ENSURE PROPER COVERAGE AT NO ADDITIONAL COST TO THE OWNER.
- CONFIRM STATIC WATER PRESSURE OF 60 PSI AT LEAST 7 DAYS BEFORE BEGINNING WORK. IF STATIC WATER PRESSURE IS LESS THAN STATED ABOVE, DO NOT PROCEED UNTIL DIRECTED SO BY THE LANDSCAPE ARCH.
- THE IRRIGATION CONTRACTOR WILL SECURE ALL REQUIRED PERMITS AND PAY ALL ASSOCIATED FEES UNLESS OTHERWISE NOTED. ALL LOCAL CODES SHALL PREVAIL OVER ANY DISCREPANCIES HEREIN. L.I.C. SHALL BE RESPONSIBLE FOR D.C.A. TESTING PER TOWN OF ADDISON WATER DEPT.
- LATERAL PIPE SHALL BE INSTALLED AT A MINIMUM DEPTH OF 12 INCHES. MAINLINE PIPE AND WIRES SHALL BE INSTALLED AT A MINIMUM DEPTH OF 18 INCHES.
- UNSLEEVED PIPES MAY BE SHOWN UNDER PAVEMENT FOR GRAPHIC CLARITY ONLY. INSTALL THESE PIPES IN ADJACENT LANDSCAPED AREAS.
- ELECTRIC POWER AND TELEPHONE LINE SOURCE ARE EXISTING WITHIN 20 FEET OF THE PROPOSED CONTROLLER LOCATION. L.I.C. SHALL PROVIDE FINAL HARDWIRE CONNECTIONS.
- 24 VOLT VALVE WIRE SHALL BE A MINIMUM OF #14 GAUGE, U.F. APPROVED FOR DIRECT BURIAL, SINGLE CONDUCTOR "IRRIGATION WIRE". WIRE SPLICES SHALL BE ENCASED IN A KING ONE STEP TAN WIRE CONNECTOR. ALL FIELD SPLICES SHALL BE LOCATED IN A 10" ROUND VALVE BOX.
- VALVE BOXES SHALL BE INSTALLED FLUSH WITH GRADE, SUPPORTED BY BRICKS IF NEEDED, WITH 6 INCHES OF LEAN PEA GRAVEL LOCATED BELOW THE VALVE. (3" CLEARANCE BETWEEN GRAVEL AND BOTTOM OF VALVE REQUIRED) USE 12" x 17" RECTANGULAR VALVE BOXES FOR ELECTRIC VALVES AND QUICK COUPLING VALVES UNLESS NOTED OTHERWISE. D.C.A. SHALL BE BOXED ACCORDING TO LOCAL CODE.
- USE LASCO O-RING SWING JOINT ASSEMBLIES TO CONNECT ALL QUICK COUPLERS.
- ALL SPRAY HEADS SHALL BE CONNECTED WITH A POLY. NIPPLES OR SIDE INLET SWING PIPE AS DETAILED.
- PROVIDE TWO QUICK COUPLER KEYS WITH SWIVEL HOSE ELLS.
- CONTRACTOR IS TO CONTACT APPROPRIATE AUTHORITIES AND LOCATE ALL UTILITIES INCLUDING TOWN OF ADDISON PRIOR TO CONSTRUCTION.
- ALL EXISTING IRRIGATION ADJACENT TO NEW WORK LIMITS SHALL REMAIN IN OPERATION. THE CONTRACTOR SHALL NOTIFY THE OWNER'S REPRESENTATIVE OF ANY ADJUSTMENTS REQUIRED TO MAINTAIN OPERATION OF THE EXISTING SYSTEM DUE TO CONSTRUCTION WITHIN THE NEW WORK LIMITS.

Stone Cottage Parking Lot Project

Town of Addison

Talley Associates

Landscape Architecture
 Planning
 Urban Design

1825 San Jacinto, Suite 400
 Dallas, Texas 75201
 Tel. 214-671-7500
 Fax. 214-671-7595

ZINSER / GROSSMAN STRUCTURAL LLC

Structural Engineering
 1701 N. Market St. Suite #310
 Dallas, Texas 75202
 Tel. 469-227-3383
 Fax. 646-227-3381

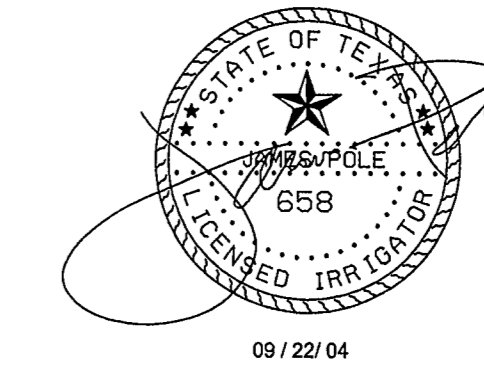
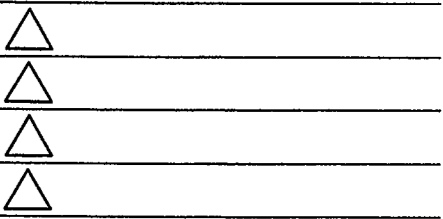
MEP SYSTEMS DESIGN AND ENGINEERING, INC.

918 Dragon Street
 Dallas, Texas 75209
 Tel. 214-915-6529
 Fax. 214-915-6918

JAMES POLE LANDSCAPE IRRIGATION SPECIALIST

Landscape Irrigation Consulting, Design, Specifications
 2615 Woodhaven
 Denton, Texas 76201
 Tel. 940-243-2554

Project No.	4030
Drawn By:	CJ/JP
Checked By:	KB/CT
Date:	SEPTEMBER 22, 2004
Revisions:	



James Pole
 LANDSCAPE IRRIGATION SPECIALIST
 CONSULTING, DESIGN, SPECIFICATIONS
 TEXAS LICENSED IRRIGATOR #658
 2615 WOODHAVEN
 DENTON, TEXAS 76201
 PHONE: 940.243.2364

Sheet Title:

L5.04

Sheet No.:
IRRIGATION DETAILS