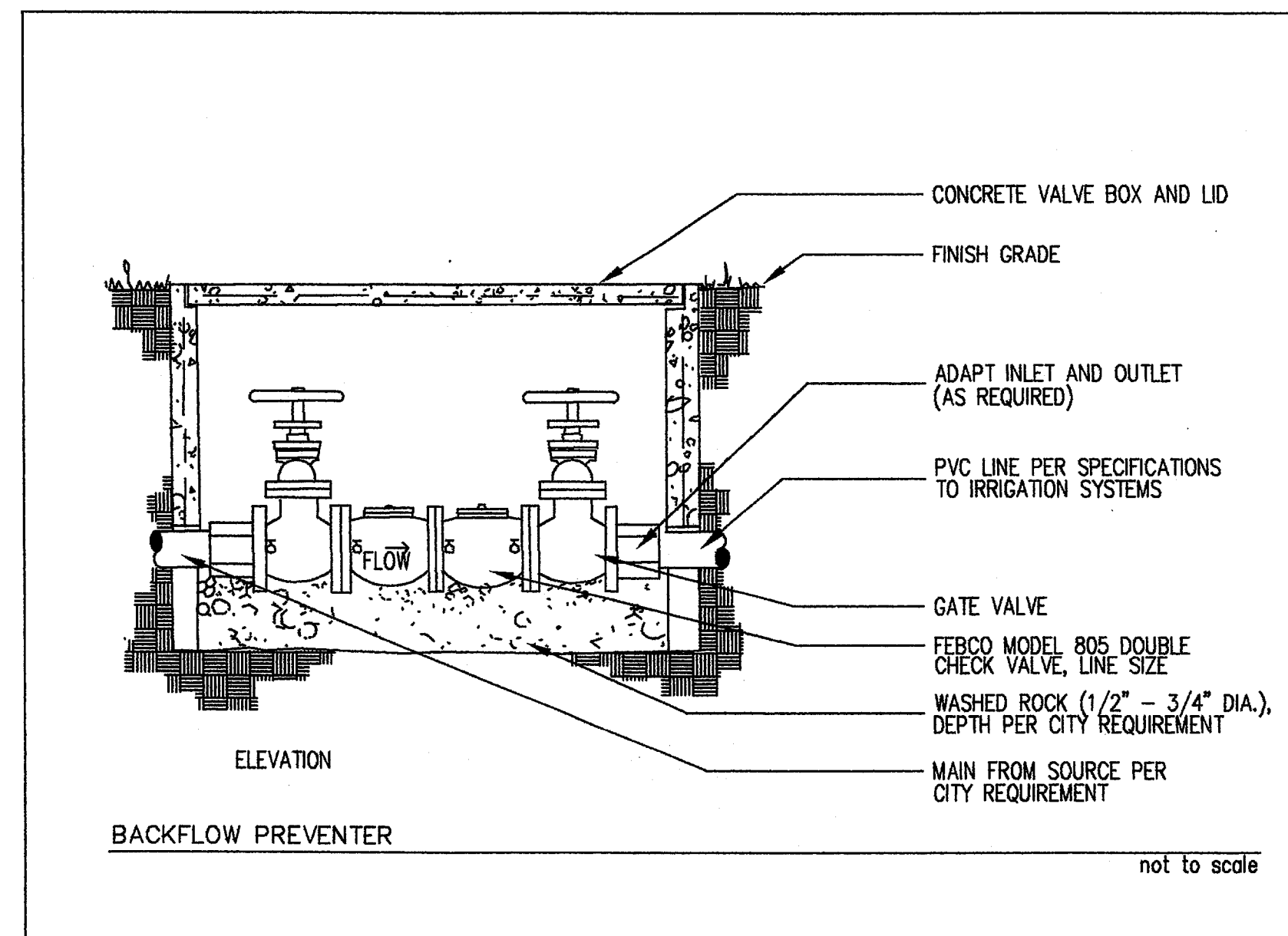
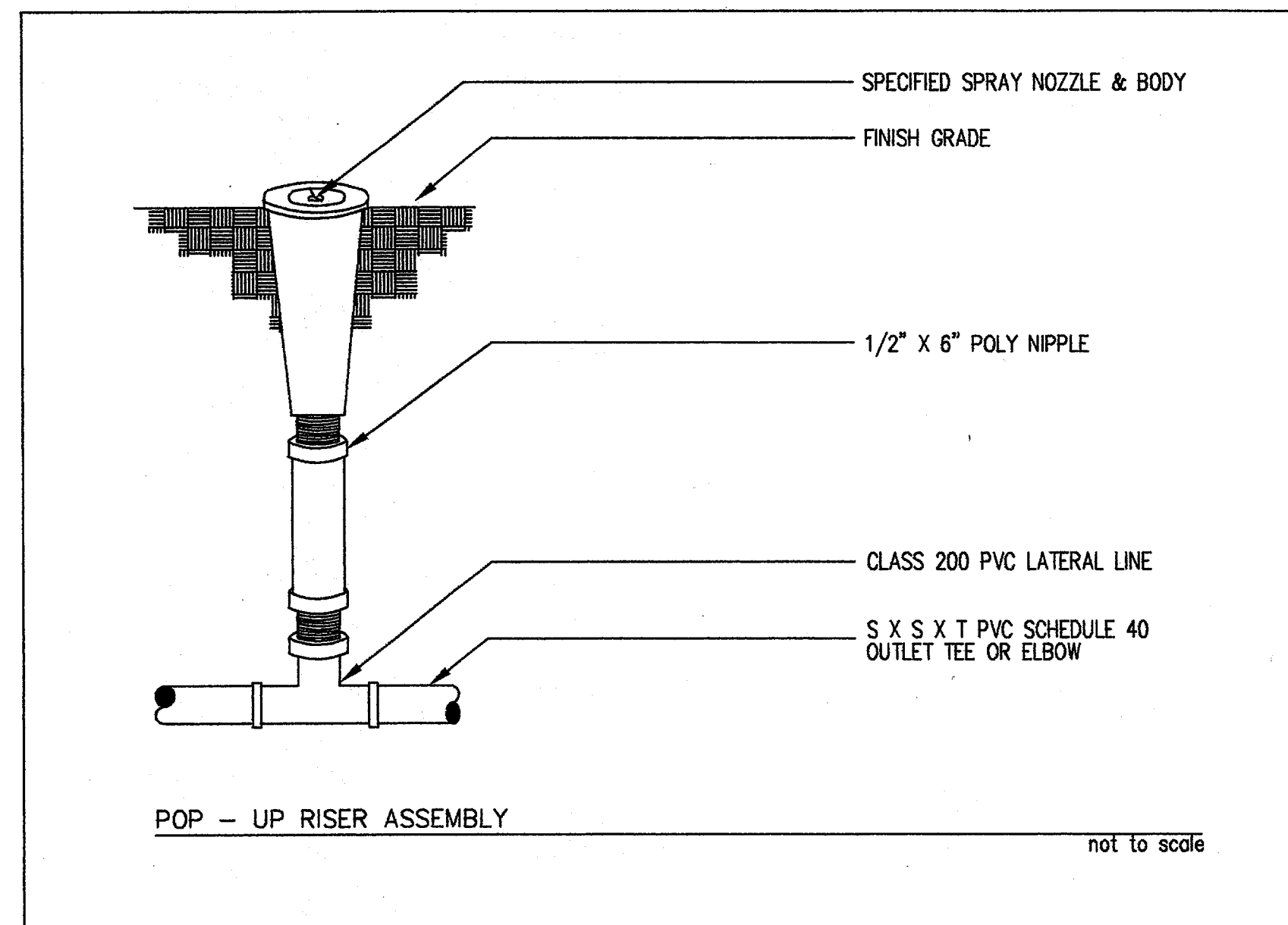


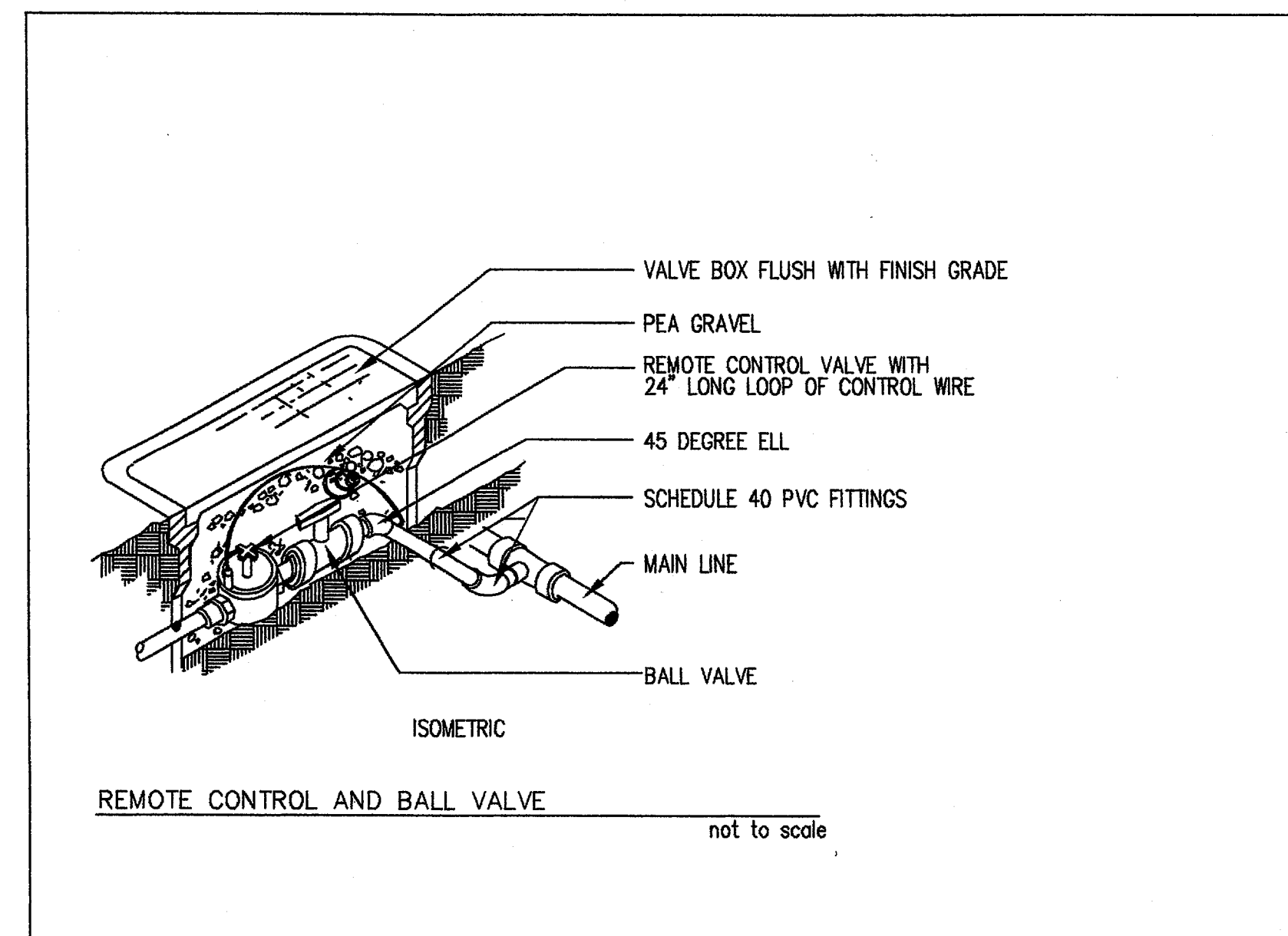
IRRIGATION LEGEND

- ▲ TORO POP-UP LOW ANGLE SHRUB SPRAY MPR SERIES NO. 12 FULL, HALF, & QUARTER ON A 12P BODY.
- TORO POP-UP LOW ANGLE SHRUB SPRAY MPR SERIES NO. 10 FULL, HALF, QUARTER ON A 12P BODY.
- ⊙ TORO POP-UP LOW ANGLE SHRUB SPRAY MPR SERIES NO. 8 FULL, HALF, QUARTER ON A 12P BODY.
- ⊕ WEATHERMATIC PRESSURE COMPENSATING BUBBLER HEAD NO. 100-100 ON A 1/2" PVC RISER.
- ⊖ TORO POP-UP SIDE STRIP SPRAY MPR SERIES NO. 4-SST ON A 12P BODY.
- ⊗ TORO POP-UP END STRIP SPRAY MPR SERIES NO. 4-EST ON A 12P BODY.
- ☒ RAINFOUR QUICK COUPLER VALVE (3/4" AND BALL VALVE INSIDE ROUND VALVE BOX).
- ⊕ HARDEE 700 SERIES WITH FLOW CONTROL, ELECTRIC REMOTE CONTROL VALVE AND BALL VALVE.
- SCHEDULE 40 PVC MAINLINE
- CLASS 200 PVC LATERAL LINE, EXCEPT 1/2 INCH DIAMETER SHALL BE CLASS 315. NOTE: ALL DIRECTLY BURIED LINE BENEATH PAVING SHALL BE SCHEDULE 40 PVC.
- ⊕ GPM THROUGH VALVE
- ⊕ VALVE SEQUENCING NUMBER
- ⊕ SIZE OF VALVE
- ⊕ MANUAL GATE VALVE—LINE SIZE
- ⊕ ELECTRIC CONTROLLER MANUFACTURE AND MODEL AS SHOWN ON PLAN
- ⊕ 6" SCHEDULE 40 PVC SLEEVE
- ⊕ FREEZE SENSOR—PENN
- ⊕ MOISTURE SENSOR—PENN
- ⊕ 1.5" IRRIGATION WATER METER & TAPING SLEEVE (BY GENERAL CONTRACTOR)
- ⊕ WAITS DOUBLE CHECK VALVE: 1.5" #007 IN FLUSH CONCRETE VALVE BOX(BELOW GRADE)



IRRIGATION NOTES

1. LINE LAYOUT IS DIAGRAMMATIC—ADJUST HEAD AND LINE LOCATIONS ON SITE TO ACCOMMODATE EXISTING JOB CONDITIONS AND TO ACHIEVE COMPLETE COVERAGE.
2. ALL MAIN LINE PIPING SHALL BE BURIED TO HAVE A MINIMUM COVER OF 18". ALL LATERAL PIPING DOWNSTREAM OF THE MAIN LINE SHALL BE BURIED TO HAVE A MINIMUM COVER OF 12".
3. ALL MAINS ARE TO DRAIN TO LOW POINTS AT A MINIMUM ONE HALF (1/2) PERCENT SLOPE. AT LOW POINTS, INSTALL GATE TO FACILITATE DRAINAGE OF SYSTEM DURING FREEZING TEMPERATURES.
4. CONTRACTOR SHALL INSTALL AUTOMATIC DRAIN VALVES AT LOW POINTS IN THE IRRIGATION LINES AS REQUIRED TO PREVENT FREEZE DAMAGE.
5. ALL VALVE BOXES SHALL BE BLACK IN COLOR(BODY AND LID). SIZES SHALL BE TEN(10") INCHES BY FOURTEEN(14") INCHES (RECTANGULAR) FOR REMOTE CONTROL VALVES AND NINE(9") INCHES(ROUND) FOR GATE AND QUICK COUPLER VALVES.
6. CONTRACTOR SHALL MAKE MINOR ADJUSTMENTS TO SYSTEM LAYOUT IN FIELD TO INSURE POSITIVE DRAINAGE OF LATERAL LINES AND MAIN LINES.
7. CONTRACTOR SHALL NOTIFY THE LANDSCAPE ARCHITECT, IF THE STATIC PRESSURE IS LESS THAN THE DESIGN STATIC PRESSURE OF 55 PSI.
8. ALL WIRING FROM THE IRRIGATION CONTROLLER TO THE REMOTE CONTROL VALVES SHALL BE UP-14/1 DIRECT BURIAL CABLE. ALL WIRE SPLICES SHALL BE MADE IN VALVE BOXES ONLY USING RAINFOUR SHAW-TITE CONNECTORS AND SEALANT. PROVIDE SLEEVES FOR WIRE UNDER PAVED AREAS AS REQUIRED.
9. ALL IRRIGATION INSTALLATION SHALL CONFORM TO THE LOCAL CODES AND REGULATIONS.
10. IRRIGATION SYSTEM SHALL BE INSTALLED AND FULLY OPERATIONAL BEFORE LANDSCAPING INSTALLATION.
11. IRRIGATION CONTRACTOR AND LANDSCAPE CONTRACTOR SHALL BE ONE IN THE SAME.
12. IRRIGATION HEADS SHALL BE PLACED AND ADJUSTED SO AS NOT TO SPRAY ON THE BUILDING.
13. IRRIGATION HEADS SHALL BE PLACED AND SIZED SO AS NOT TO BE SUSCEPTIBLE TO DAMAGE BY AUTOMOBILE OVERHANGES.



THE ASHTON  
ADDISON ■ TEXAS

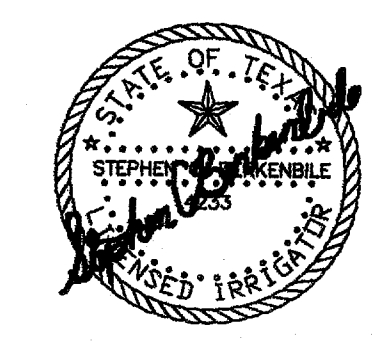
Owner/Developer:  
AMICUS PARTNERS, LIMITED  
15601 DALLAS PARKWAY, SUITE 525  
ADDISON, TEXAS 75001  
PHONE (972) 361-5476  
FAX (972) 361-5914

HUITT  
ZOLLARS  
3131 McKinney Avenue, Suite 600  
Dallas, Texas 75204  
Phone (214) 871-3311  
Fax (214) 871-0757

Revisions

No.	Date	Items
△		
△		
△		
△		
△		

Drawn: SH  
Appr.: MS  
Scale: AS NOTED  
Date: 1/24/2000  
Project No.: 01-2617-01



STEPHEN C BERKENBILE & ASSOCIATES  
IRRIGATION DESIGN CONSULTANTS

411 HYDE PARK PLACE DUNCANVILLE, TX 75137 (972) 286-2734 FAX (972) 780-0048

Sheet Title  
**IRRIGATION DETAILS**

Sheet No. IR.2