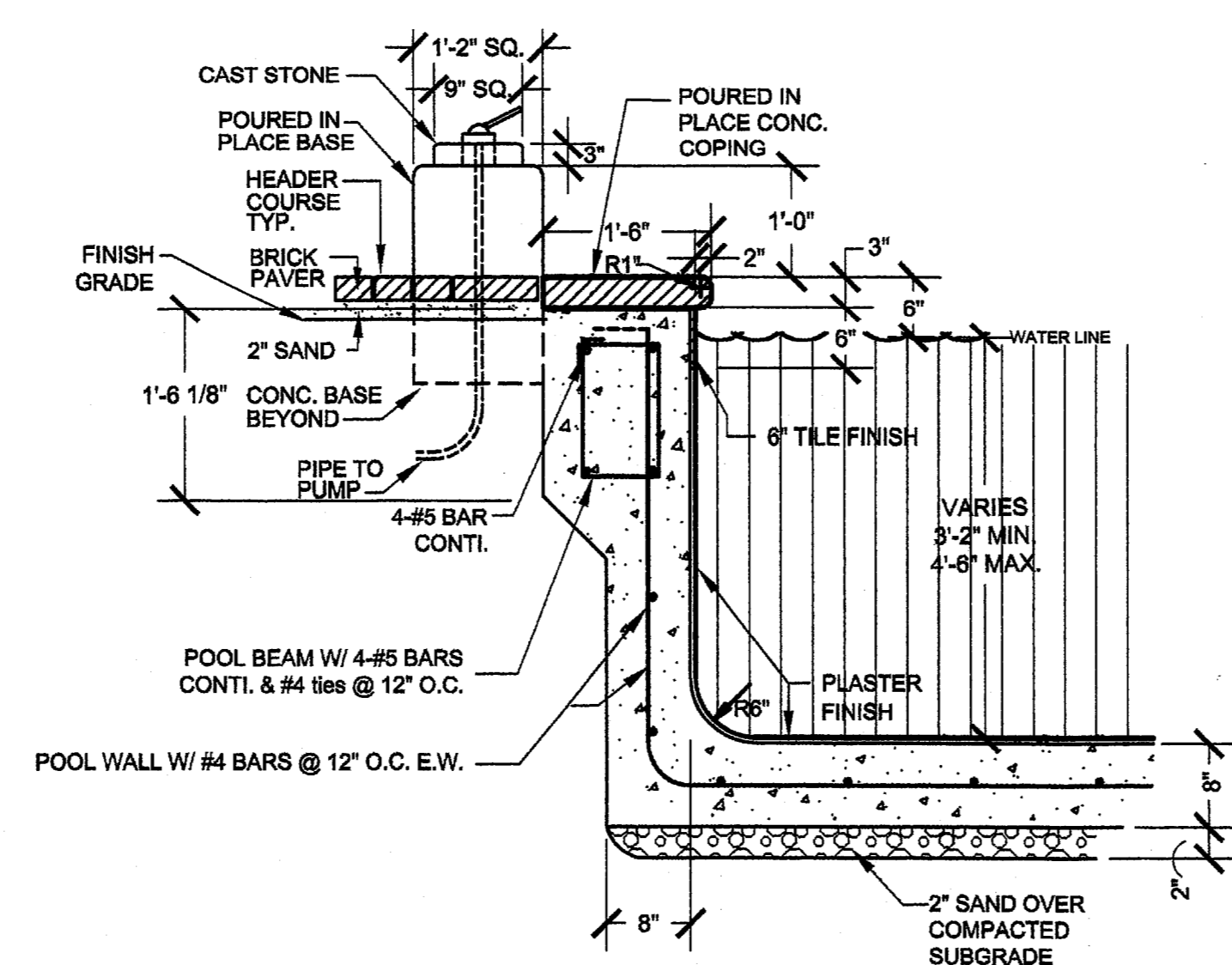
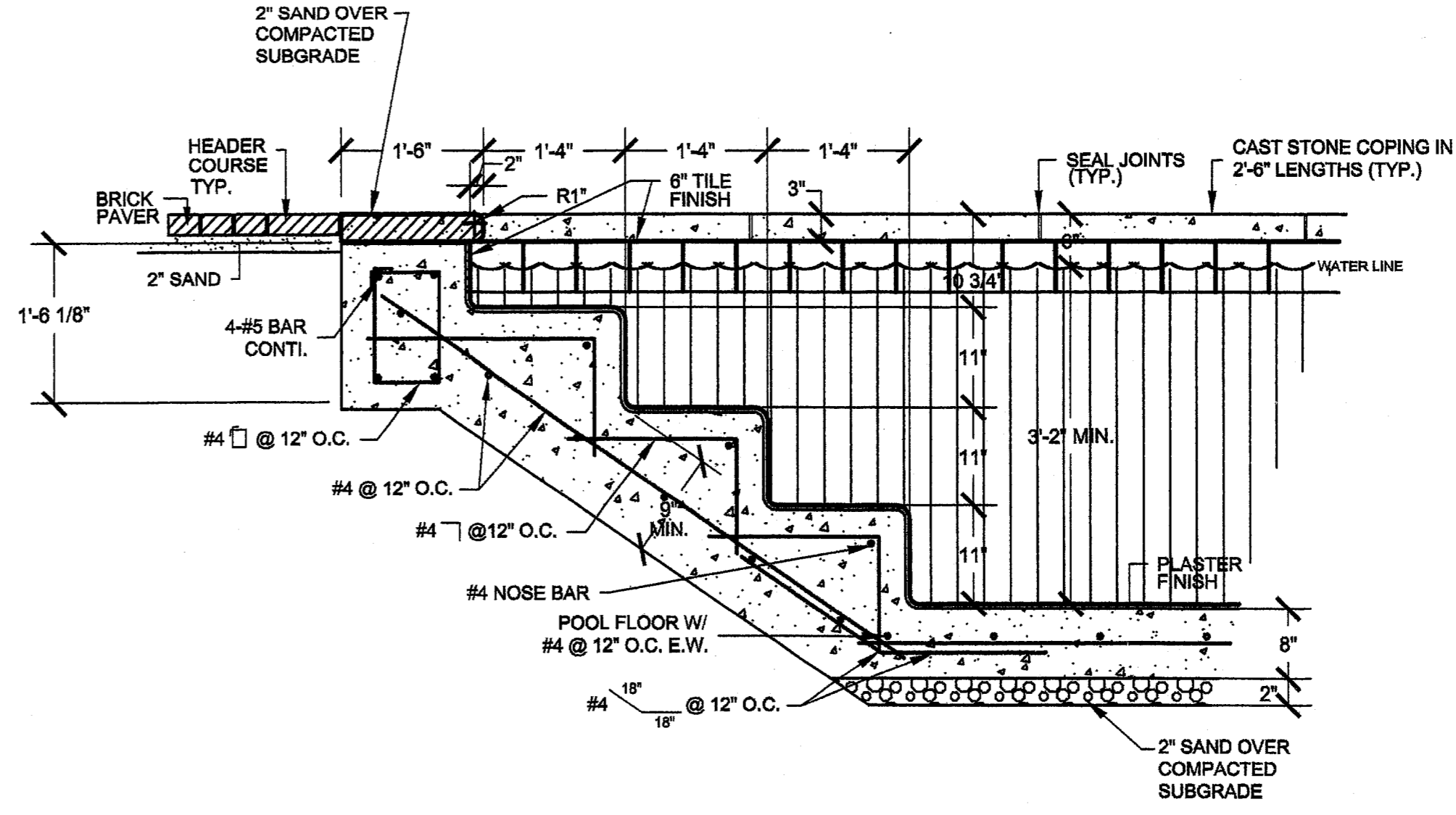


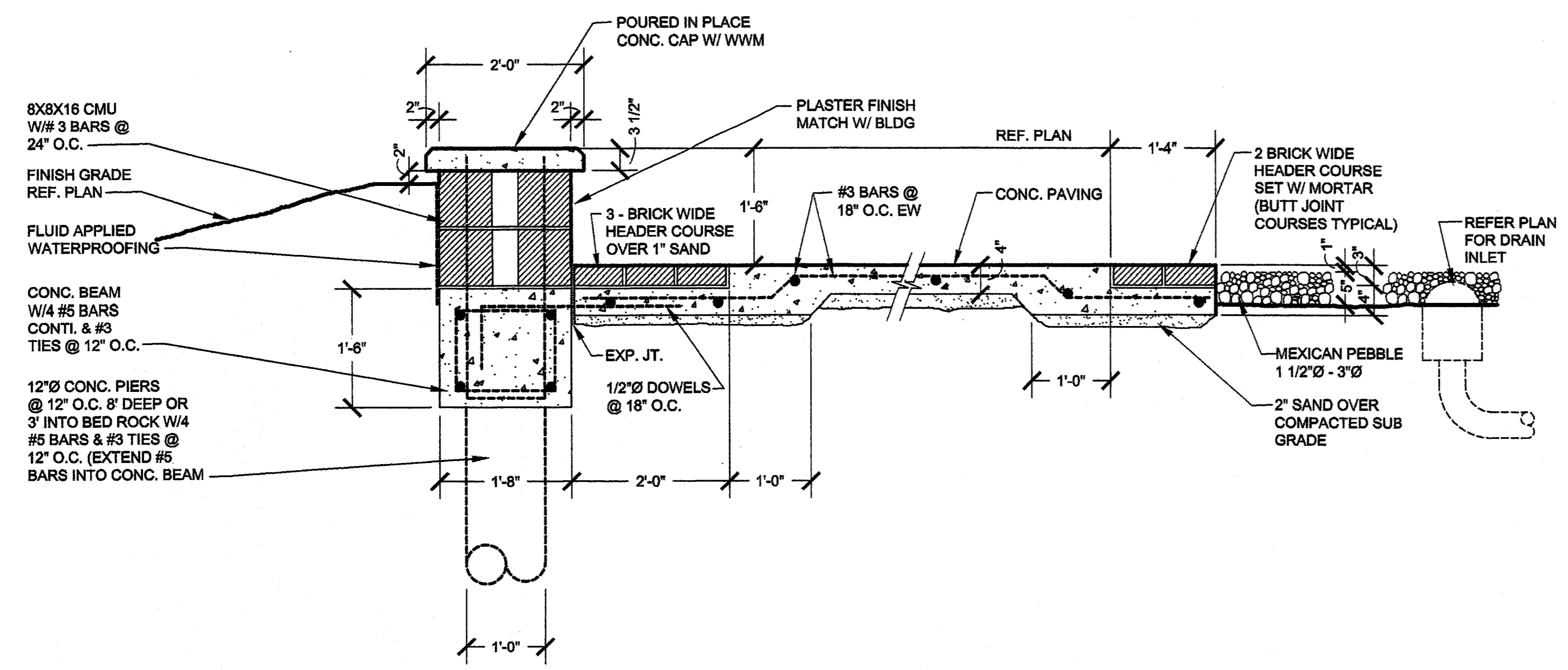
POOL EQUIPMENT LIST	
Pool Area	576 s.f.
Volume	17,280 c.ft.
System Design	85 gpm
Turnover Rate	3.38 hours
Auxiliary Flow	
Circulation Pump	MODEL P4EA6FL STA-RITE MAXE-GLAS II, 1 1/2 H.P. 230 VAC 8.0 AMP 90 GPM @ 50TDH
Filter	MODEL TR-140 TRITON 7.1 S.F. SAND FILTER AREA WITH HI-FLO MULTIPORT VALVE
Auxiliary Pump	MODEL MPEA89L STA-RITE DYNA-GLAS 2 H.P. 230 VAC 12.0 AMP, 120 GPM @ 40 TDH
Chlorinator	MODEL 3008 PPG, DRY TABLET CALCIUM HYPOCHLORITE FEEDER
Acid Pump	MODEL 45M STENNER MANUFACTURING PERISTALTIC 108 PD
Skimmer	MODEL 08650-1404 US WITH WHITE LID AND EQUALIZER VALVE
Equalizer Fitting	
Drain Sump	MODEL 07017-0093/07017-0103 8" CYCOLAC SUMP WITH A/V COVER 07017-0751 STA-RITE
Lights	MODEL MPL 05802-0505 STA-RITE 100W HALOGEN
Notes	1. Vac-Alert Safety Vacuum Release System required on auxiliary pump piping.
Note: Pool contractor is responsible for piping design.	



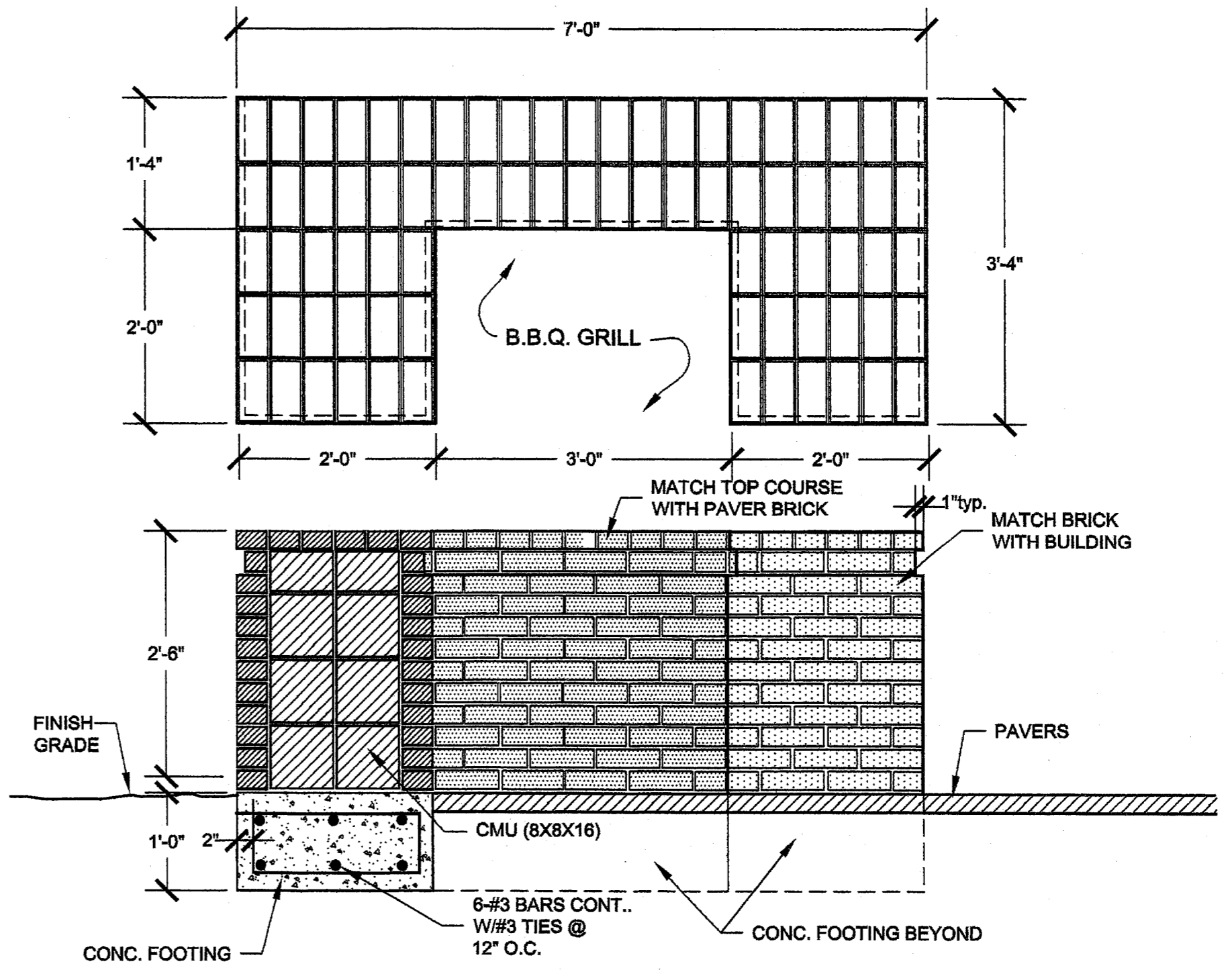
A SECTION - POOL WALL AND POOL FLOOR
LC.2 SCALE: 3/4"=1'-0"



B SECTION - POOL STEPS AND COPING
LC.2 SCALE: 3/4"=1'-0"



C SECTION - SEAT WALL & CONC. PAVING W/ BRICK BAND
LC.2 SCALE: 3/4"=1'-0"



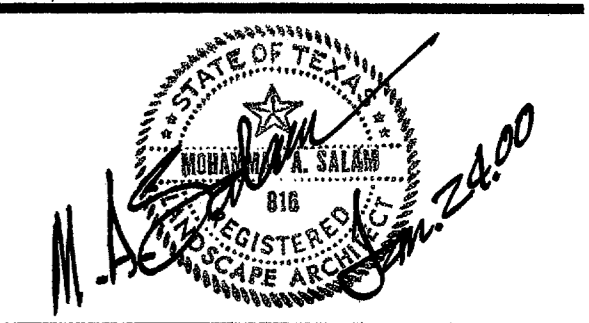
D SECTION/ELEVATION - OUTDOOR GRILLE
LC.2 SCALE: 3/4"=1'-0"

THE ASHTON
ADDISON - TEXAS

Owner/Developer:
AMICUS PARTNERS, LIMITED
15601 DALLAS PARKWAY, SUITE 525
ADDISON, TEXAS 75001
PHONE (972) 361-5476
FAX (972) 361-5914

HUITT
ZOLLARS

3131 McKinney Avenue, Suite 600
Dallas, Texas 75204
Phone (214) 871-3311
Fax (214) 871-0757



Revisions	No.	Date	Items
△			
△			
△			
△			
△			

Drawn: SH
Appr.: MS
Scale: AS NOTED
Date: 1/24/2000
Project No.: 01-2617-01

Sheet Title
DETAILS

Sheet No.
LC.2