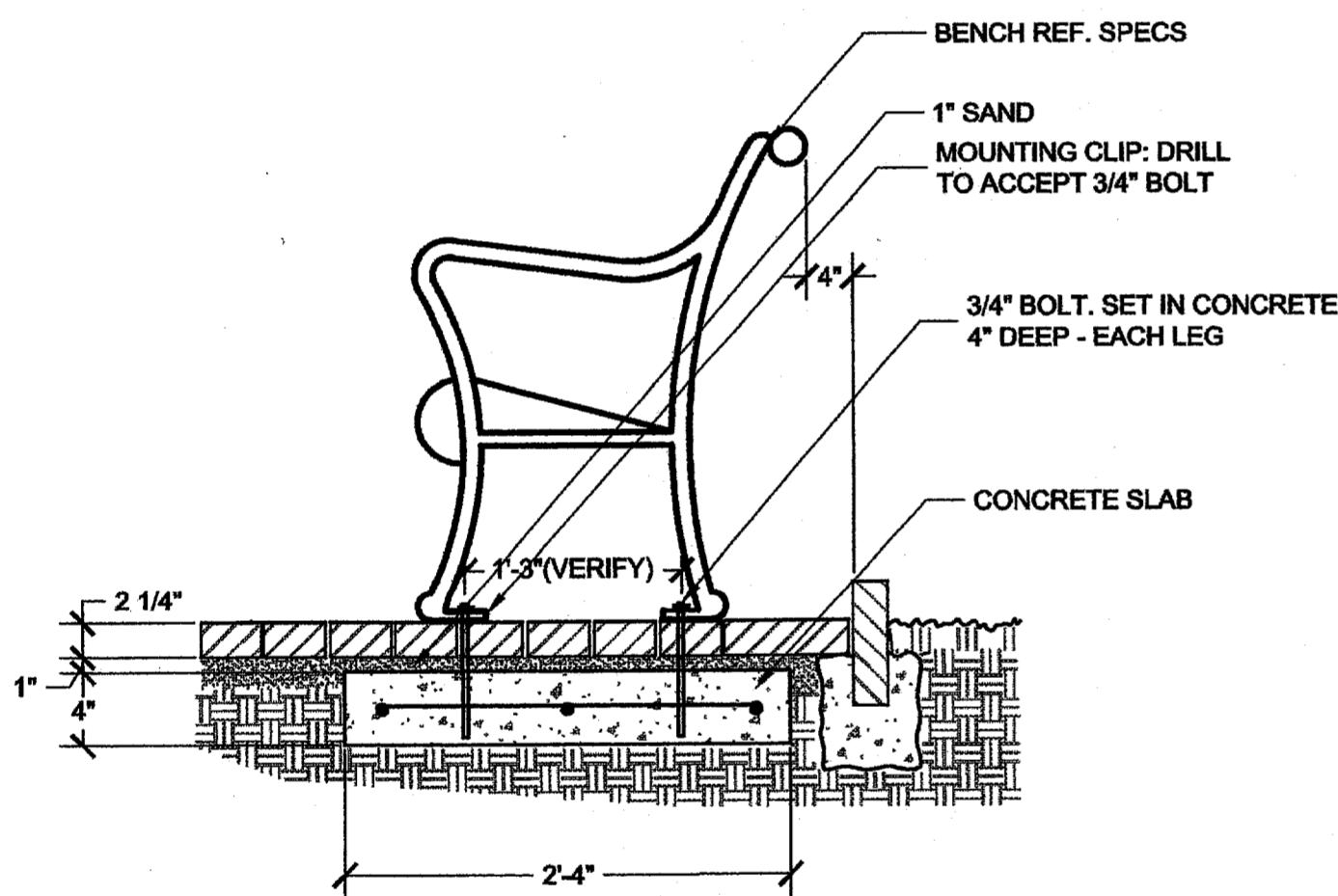
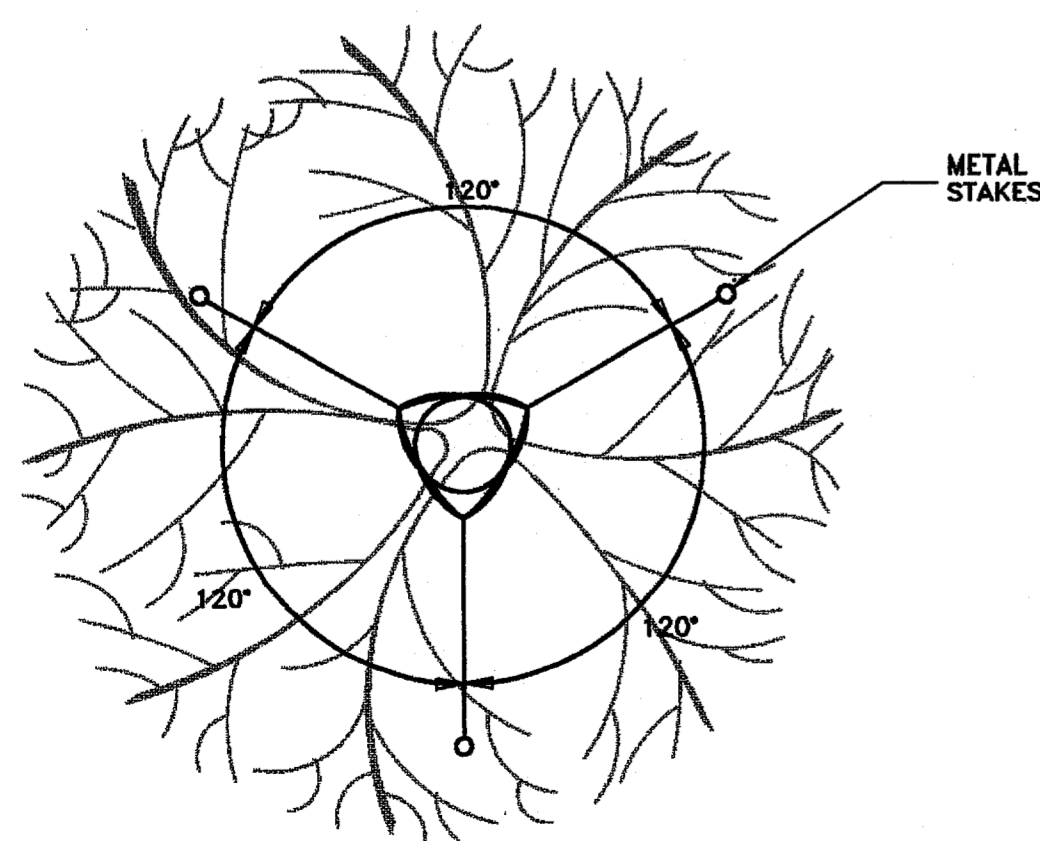


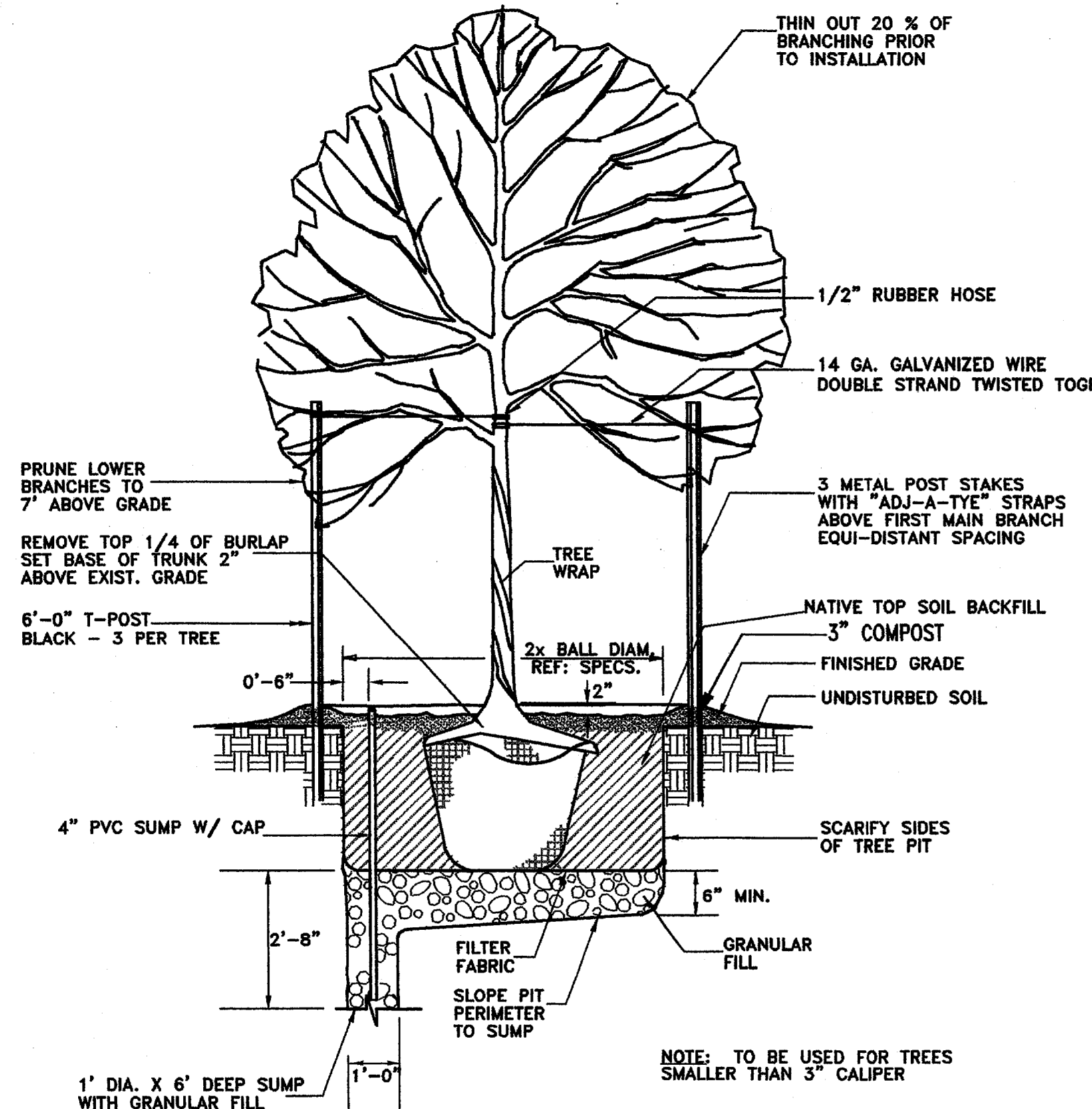
**A ELEVATION - TRASH RECEPTACLE**  
LP.3 NTS



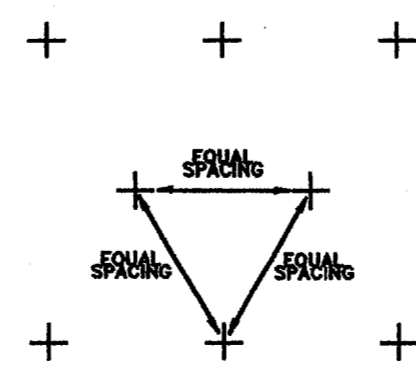
**B ELEVATION - BENCH MOUNTING**  
LP.3 NTS



**D PLAN - TREE STAKING**  
LP.3 NTS



**C SECTION - TREE PLANTING & STAKING**  
LP.3 NTS



**E PLAN - TRIANGULAR SHRUB SPACING**  
LP.3 NTS

Quantity	Plant Name	Latin Name	Size/Specs
12	Red Oak	<i>Quercus shumardii</i>	200 gal., 5-5 1/2" cal, 18'ht., 12-14" sp., matched
6	Tree Form Yaupon Holly (Female)	<i>Ilex vomitoria</i>	30 gal., 6-8'ht., 4-5" sp., multi-trunk
13	Crape Myrtle 'Red'	<i>Lagerstroemia indica</i>	30 gal., 6-7' ht., 4-5' sp., multi-trunk, 3 cane min., 1 1/2" cal. min.
10	Magnolia 'Little Gem'	<i>Magnolia grandiflora 'Little Gem'</i>	15 gal., 5-6' ht., 3-4' sp., matched
3	Mgig Magnolia	<i>Magnolia grandiflora 'St. Mary's'</i>	65 gal., 2 1/2-3' cal., 10-12'ht., 4-5' sp., 5' clear-trunk, matched
10	Tree Form Wax Myrtle	<i>Myrica cerifera</i>	8&B, 8'-10' ht., 5-7" sp., multi-trunk, 3 cane min., 1 1/2" cal. min.
7	Chanticleer Pear	<i>Pyrus calleryana 'Chanticleer'</i>	15 gal., 1 1/2-2' cal., 10-12' ht., 4-5' sp., matched
15	Windmill Palm	<i>Trachycarpus fortunei</i>	5 gal., 7 fan min., 36" over all ht.
3	Japanese Cleyera	<i>Cleyera japonica</i>	5-gal full
143	Dwf. Burford Holly	<i>Ilex Cornuta 'Dwarf Burford'</i>	5 gal. 30"-36" ht., 20"-24" sp., full
51	Nellie R. Stevens	<i>Ilex Nellie R. Stevens</i>	7 gal., 60" ht. 36" sp., matched, symmetrical
10	Foster Holly	<i>Ilex x attenuata 'Foster's'</i>	8'-10' ht., 3 1/2-4' sp., full, matched
237	Dwarf Yaupon Holly	<i>Ilex vomitoria nana</i>	1 gal., 8"-10" ht., 8"-10" sp., full
36	Miniature Crape Myrtle	<i>Lagerstroemia x fauriei 'Chickasaw'</i>	3 gal., full
15	Chinese Fringeflower	<i>Loropetalum chinense 'Plum Delight'</i>	3 gal., full
38	Wax Myrtle	<i>Myrica cerifera</i>	5 gal., 20" ht., 14ps., full
108	Dwarf Wax Myrtle	<i>Myrica pusilla</i>	3 gal. 24"-30" ht., 16"-20" sp., full
19	Compact Nandina	<i>Nandina domestica 'Compacta'</i>	5-gal 24-30" ht. full 5 canes min.
63	Harbor Dwarf Nandina	<i>Nandina domestica 'Harbor Dwarf'</i>	3gal 14-16"ht., 16-18"sp., full
26	Springtime Indian Hawthorne	<i>Rhaphiolepis indica 'Springtime'</i>	5 gal., 28"ht., 24-28"sp., full, bushy to ground
35	Rose 'Sam Houston'	<i>Rosa sp.</i>	2-gal.-full
10	Akebia	<i>Akebia quinata 'Shirobana Alba'</i>	1-gal 30" staked
6	Cross-vine 'Tangerine Beauty'	<i>Bignonia capreolata 'Tangerine Beauty'</i>	1-gal 30" staked
4	Madame Galen Trumpet Vine	<i>Campsis radicans 'Madame Galen'</i>	1-gal 30" staked
4820 S.F.	Common Bermuda	<i>Cynodon dactylon</i>	Hydroseed
10	Needlepoint Ivy	<i>Hedera helix 'Needlepoint'</i>	4" pot, full
6	Italian Jasmine	<i>Jasminum humile</i>	3 gal., full
36	Trailing Lantana	<i>Lantana montevidensis</i>	4" pot, full
920	Liriope 'Big Blue'	<i>Liriope muscari 'Big Blue'</i>	4" POT, FULL
810	Liriope 'Silver Dragon'	<i>Liriope muscari 'Silver Dragon'</i>	4" POT, FULL
6	Coral Honeysuckle	<i>Lonicera sempervirens</i>	1-gal 30" staked
18	Lowi Boston Ivy	<i>Parthenocissus tricuspidata 'Lowi'</i>	1-gal 30" staked
5	Passion Vine	<i>Passiflora x 'Incense'</i>	1-gal 30" staked
2085	Asian Jasmine	<i>Trachelospermum asiaticum</i>	4" pot-full
3	Virginia Creeper	<i>Parthenocissus quinquefolia</i>	1 gal., full

**FURNITURE SCHEDULE**

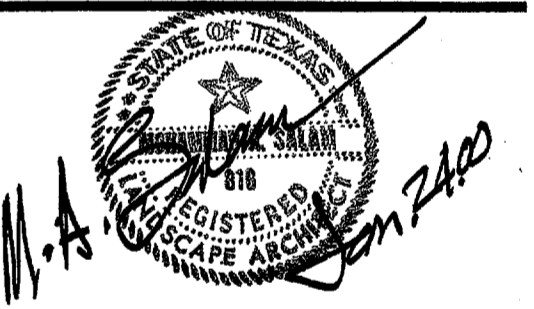
Qty.	Item	Type	Source	Qty.	Item	Type	Source
5	Bench 'A'	5' Bowery Bench with Back CDBB-605-60-F (Black)	Canterbury International 1-800-835-7111	14	Cushion 'A'	Amberst Chaise Lounge Cushion Stone Green (SD0270)	Woodard Contact: Coalter & Assoc. (972) 867-1649
6	Bench 'B'	Manitoulin Bench 60" (B04-5)	Rockwood Contact: Coalter & Assoc. (972) 867-1649	2	Market Umbrella	Small Octagon #F621508 Color: Forest Green 20" Disk Base (F624460)	Smith & Hawkin (415) 369-8300
20	Chair 'A'	Carolina Side Chair (C08)	Rockwood Contact: Coalter & Assoc. (972) 867-1649	6	Trash	Trash Receptacle Custom Metal Pole Mount Trash Receptacle 20" ht., 12" diam. (Black Powdercoat)	Fair Weather (Resource Consulting Service) (972) 294-2428
20	Chair 'B'	Carolina Arm Chair (C08-A)	Rockwood Contact: Coalter & Assoc. (972) 867-1649	2	Bike Rack	BR-3 SCH 40 Std. Pipe 2 3/8" OD	Fair Weather (Resource Consulting Service) (972) 294-2428
8	Table 'A'	Fontana Falls Square Dining Table (TD028-3)	Rockwood Contact: Coalter & Assoc. (972) 867-1649	14	Pol 'A'	Garden Planter Sandstone (30 1/2" diam., 18" ht.) Finish: Textured	Brookfield Co. (706) 375-8530
2	Table 'B'	Fontana Falls Rectangular Dining Table (TD028-5)	Rockwood Contact: Coalter & Assoc. (972) 867-1649				
14	Lounger 'A'	Amberst Adjustable Chaise Lounge (SD0070) Finish: Hammered Pewter (52)	Woodard Contact: Coalter & Assoc. (972) 867-1649				

**THE ASHTON**  
**ADDISON ■ TEXAS**

Owner/Developer:  
**AMICUS PARTNERS, LIMITED**  
 15601 DALLAS PARKWAY, SUITE 525  
 ADDISON, TEXAS 75001  
 PHONE (972) 361-5476  
 FAX (972) 361-5914

**HUITT ZOLLARS**

3131 McKinney Avenue, Suite 600  
 Dallas, Texas 75204  
 Phone (214) 871-3311  
 Fax (214) 871-0757



Revisions  
 No. Date Items

- △ \_\_\_\_\_
- △ \_\_\_\_\_
- △ \_\_\_\_\_
- △ \_\_\_\_\_
- △ \_\_\_\_\_

Drawn: SH  
 Appr.: MS  
 Scale: AS NOTED  
 Date: 1/24/2000  
 Project No.: 01-2617-01

Sheet Title

**PLANTING PLAN**

Sheet No. LP.3