

**ADDISON CIRCLE
ROND POINT**

Addison, Texas

Bid No. 98-10

Client:
Town of Addison
P.O. Box 144
5300 Belt Line Road
Addison, Texas 75001-0144
Tel: 972.450.7000
Fax: 972.450.7043

Landscape Architect:
Michael Van Valkenburgh Associates, Inc.
231 Concord Avenue
Cambridge, Massachusetts 02138
Tel: 617.864.2076
Fax: 617.492.3128

Artist:
Mel Chin
P.O. Box 566
Burnsville, North Carolina 28714
Tel: 704.682.7199
Fax: 212.388.9330

Architect / Design Consultant:
Thompson and Rose Architects
1430 Massachusetts Ave.
Cambridge, MA 02138
Tel: 617.876.9966
Fax: 617.876.9922

Structural Engineer:
LeMessurier Consultants
675 Massachusetts Avenue
Cambridge, MA 02138
Tel: 617.868.1200
Fax: 617.661.7520

Lighting Designer:
Cline Bettridge Bernstein Lighting Design
30 West 22nd Street
New York, NY 10010
Tel: 212.741.3280
Fax: 212.741.3112

Metal Fabricator Cost Consultant:
Metalmorphosis
3101 S. La Cienega Boulevard
Los Angeles, CA 90016
Tel: 310.287.0393
Fax: 310.287.0396

Geotechnical Engineer:
HBC Engineering, Inc.
4747 Irving Boulevard, Suite 206
Dallas, TX 75247
Tel: 214.630.1010
Fax: 214.630.7070

Electric Engineer:
R.G. Vanderweil Engineers, Inc.
266 Summer St.
Boston, MA 02210-1112
Tel: 617.423.7423
Fax: 617.423.7401

Irrigation Consultant:
Terry J. Little, Irrigation Consultant
16835 Addison Road
Suite 103
Dallas, TX 75248
Tel: 972.380.4566
Fax: 972.380.4566

100% Construction Documents

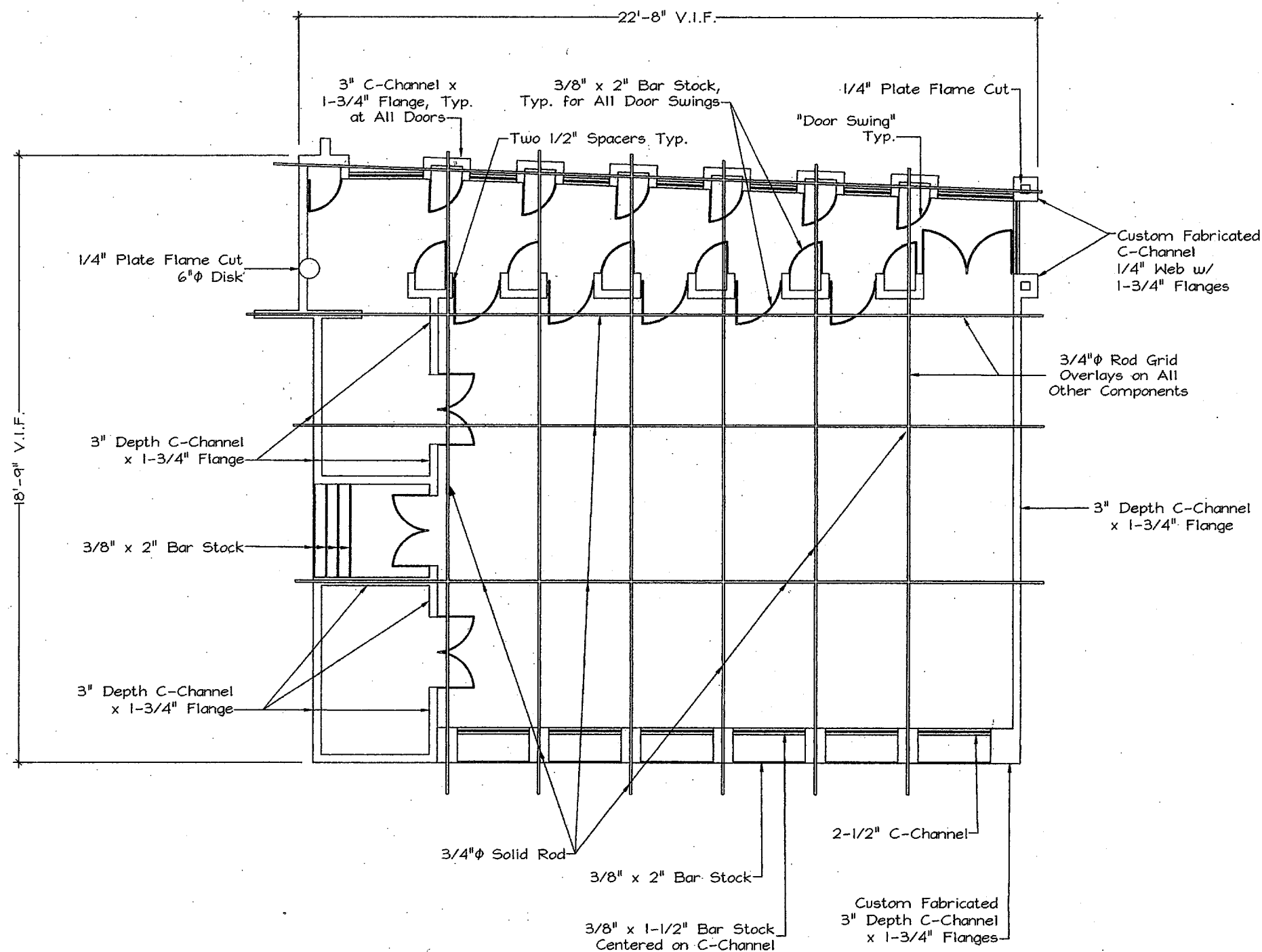
MICHAEL VAN VALKENBURGH ASSOCIATES, INC.
LANDSCAPE ARCHITECTS

231 CONCORD AVENUE, CAMBRIDGE, MA 02138 USA
TEL: (617) 864-2076 FAX: (617) 492-3128

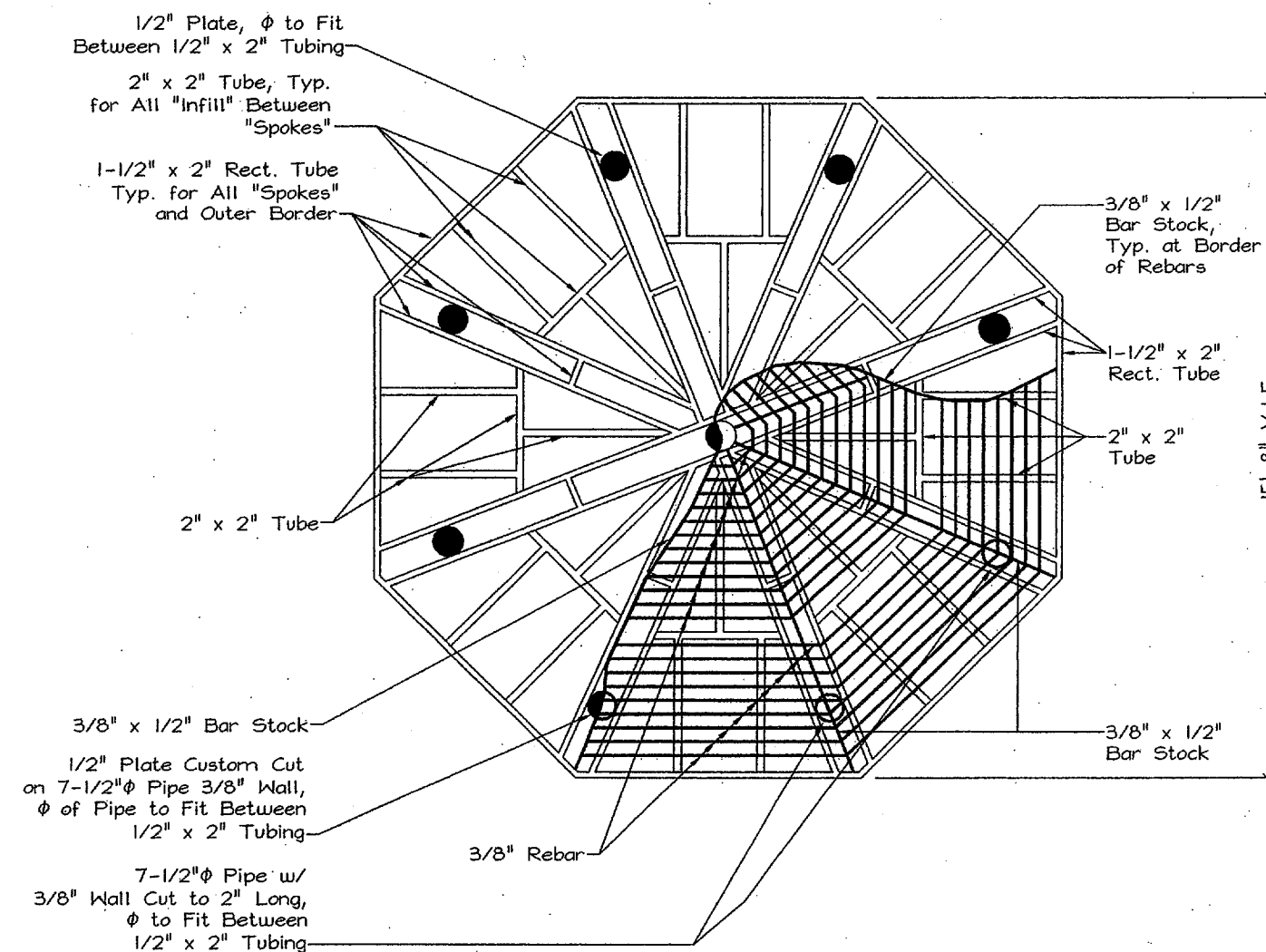
DRAWING TITLE

**Petal C Images
C3 through C4**

JOB NUMBER 9830 DRAWING NUMBER
DATE 12 August 1998
SCALE 1/2" = 1'-0"
DRAWN BY EP, MR, SRC
CHECKED BY LS, MVV **A2.04**

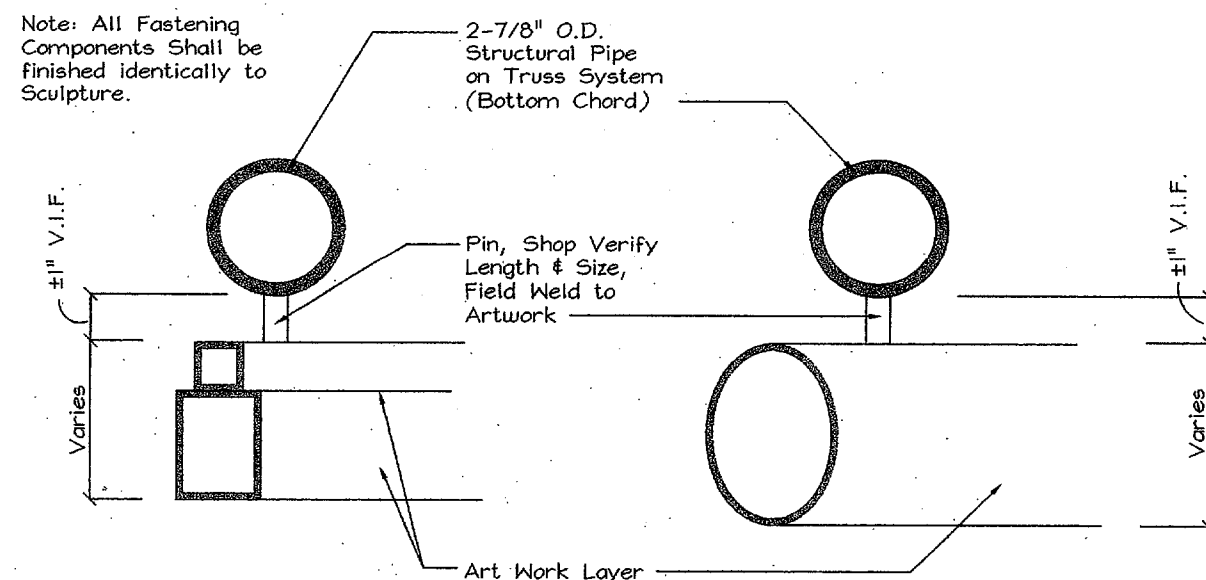


1 Image C3
Scale: 1/2" = 1'-0"



2 Image C4
Scale: 1/2" = 1'-0"

For General Artwork
Notes See A1.02



3 Conceptual Fastening Detail for Artwork Layer
Scale: 1/2" = 1"