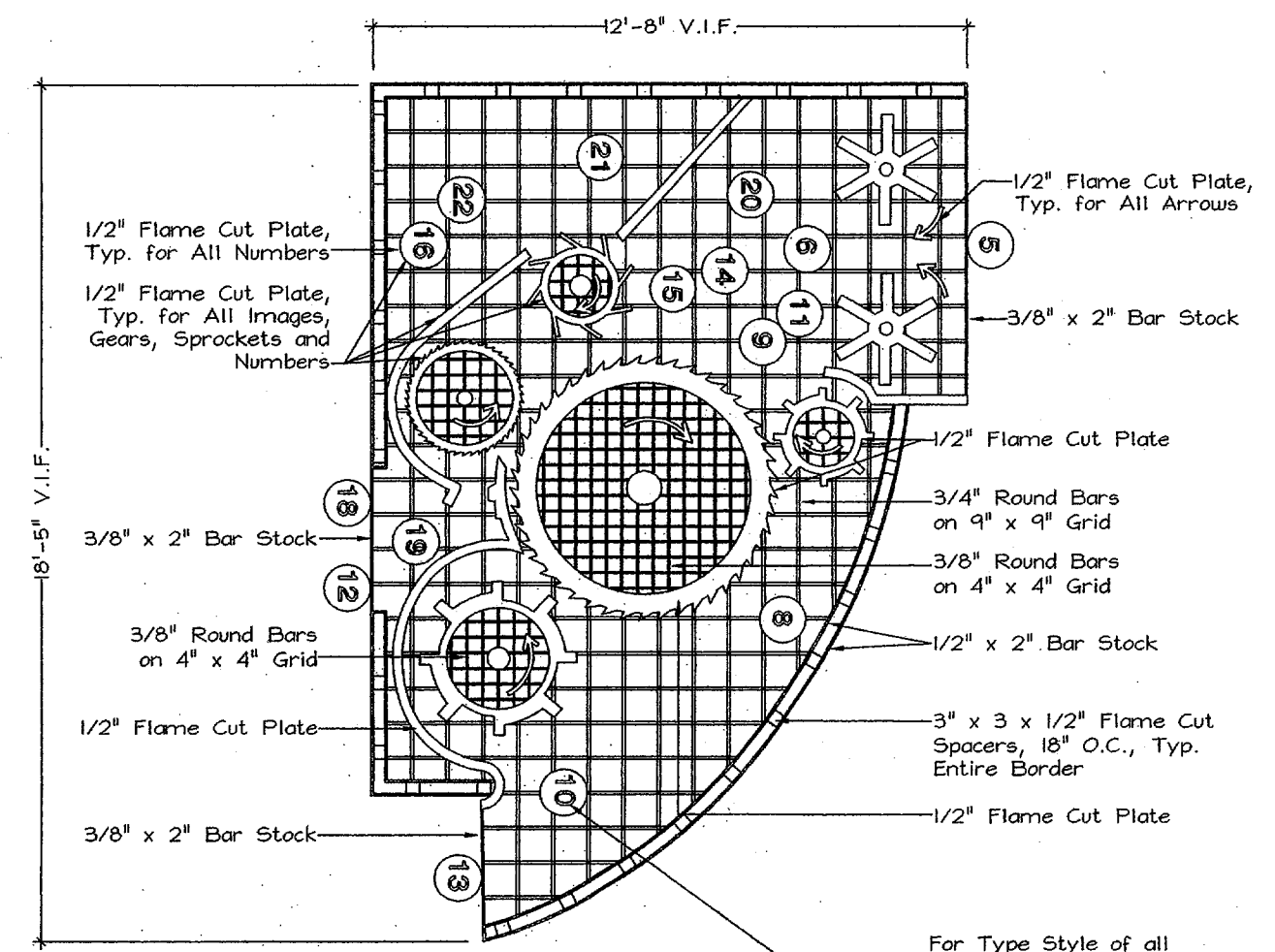
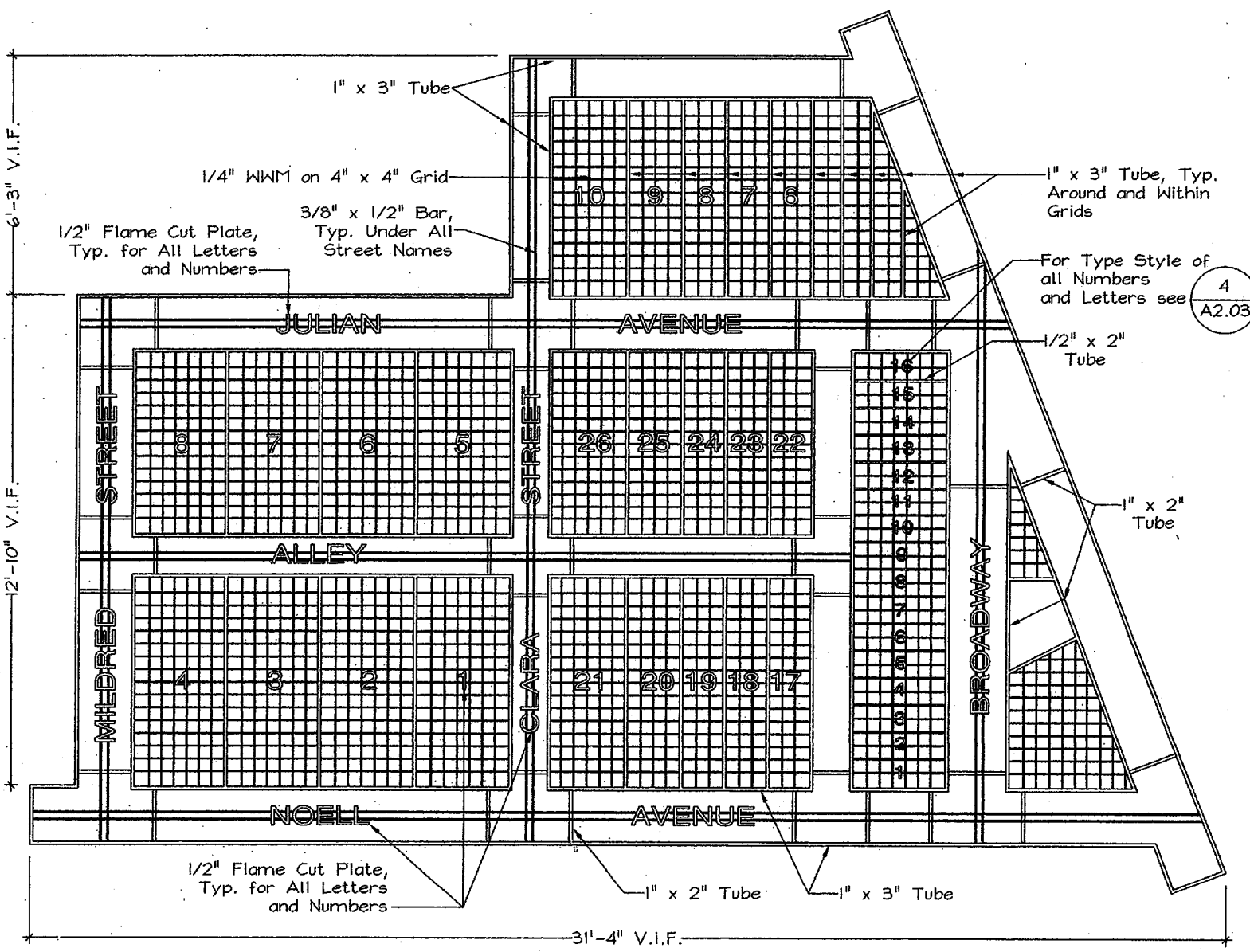


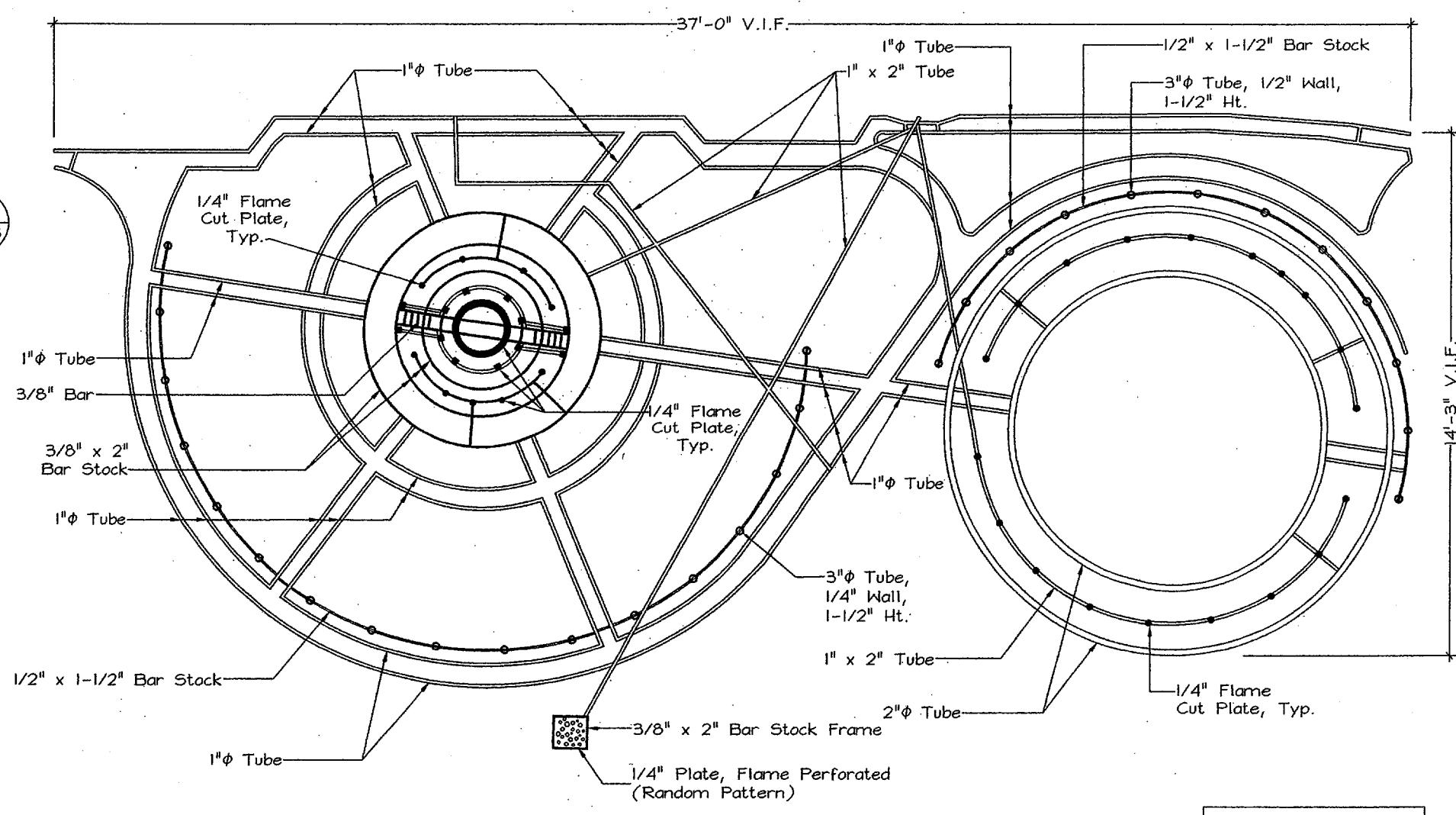
**1** Image D1  
Scale: 1/2" = 1'-0"



**2** Image D2  
Scale: 1/2" = 1'-0"



**3** Image D3  
Scale: 1/2" = 1'-0"



**4** Image D4  
Scale: 1/2" = 1'-0"

For General Artwork  
Notes See A1.02

**ADDISON CIRCLE  
ROND POINT**

Addison, Texas

**Bid No. 98-10**

**Client:**  
Town of Addison  
P.O. Box 144  
5300 Belt Line Road  
Addison, Texas 75001-0144  
Tel: 972.450.7000  
Fax: 972.450.7043

**Landscape Architect:**  
Michael Van Valkenburgh Associates, Inc.  
231 Concord Avenue  
Cambridge, Massachusetts 02138  
Tel: 617.864.2076  
Fax: 617.492.3128

**Artist:**  
Mel Chin  
P.O. Box 566  
Bunsville, North Carolina 28714  
Tel: 704.682.7199  
Fax: 212.388.9330

**Architect / Design Consultant:**  
Thompson and Rose Architects  
1430 Massachusetts Ave.  
Cambridge, MA 02138  
Tel: 617.876.9966  
Fax: 617.876.9922

**Structural Engineer:**  
LeMessurier Consultants  
675 Massachusetts Avenue  
Cambridge, MA 02138  
Tel: 617.868.1200  
Fax: 617.661.7520

**Lighting Designer:**  
Cline Bettridge Bernstein Lighting Design  
30 West 22nd Street  
New York, NY 10010  
Tel: 212.741.3280  
Fax: 212.741.3112

**Metal Fabricator Cost Consultant:**  
Metalmorphosis  
3101 S. La Cienega Boulevard  
Los Angeles, CA 90016  
Tel: 310.287.0593  
Fax: 310.287.0596

**Geotechnical Engineer:**  
HBC Engineering, Inc.  
4747 Irving Boulevard, Suite 206  
Dallas, TX 75247  
Tel: 214.630.1010  
Fax: 214.630.7070

**Electric Engineer:**  
R.G. Vanderweil Engineers, Inc.  
266 Sumner St.  
Boston, MA 02210-1112  
Tel: 617.423.7423  
Fax: 617.423.7401

**Irrigation Consultant:**  
Terry J. Little, Irrigation Consultant  
16835 Addison Road  
Suite 103  
Dallas, TX 75248  
Tel: 972.380.4566  
Fax: 972.380.4566

**100% Construction  
Documents**

MICHAEL VAN VALKENBURGH ASSOCIATES, INC.  
LANDSCAPE ARCHITECTS

231 CONCORD AVENUE, CAMBRIDGE, MA 02138 USA  
TEL (617) 864-2076 FAX (617) 492-3128

DRAWING TITLE

**Petal D Images  
D1 through D4**

JOB NUMBER 9830 DRAWING NUMBER  
DATE 12 August 1998  
SCALE 1/2" = 1'-0"  
DRAWN BY EP, MR, SRC  
CHECKED BY LS, MVV **A2.05**