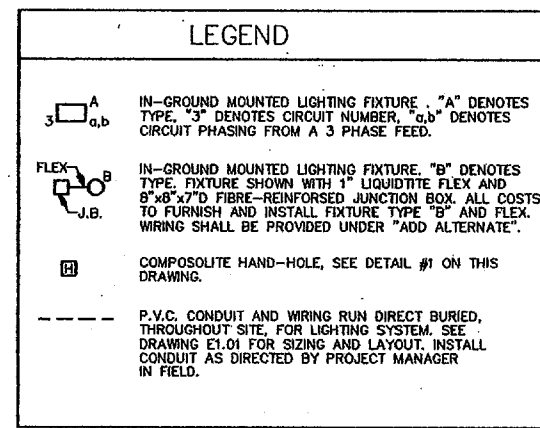


GENERAL ABBREVIATIONS		
A	AMPERES	KVA KILOVOLT AMPERES
ADA	AMERICANS WITH DISABILITIES ACT	KW KILOWATTS
AFF	ABOVE FINISH FLOOR	LTG LIGHTING
AFG	ABOVE FINISH GRADE	LJFM LIQUIDTIGHT FLEXIBLE METAL
AHJ	AUTHORITY HAVING JURISDICTION	MC METAL CLAD CABLE
AHU	AIR HANDLING UNIT	MCB MAIN CIRCUIT BREAKER
AIC	AMPERE INTERRUPTING CAPACITY	MCC MOTOR CONTROL CENTER
AL	ALUMINUM	MCP MOTOR CIRCUIT PROTECTOR
ANSI	AMERICAN NATIONAL STANDARDS INSTITUTE	MISC MISCELLANEOUS
ARCH	ARCHITECT	MLO MAIN LUGS ONLY
ATS	AUTOMATIC TRANSFER SWITCH	NC NORMALLY CLOSED
ATC	AUTOMATIC TEMPERATURE CONTROL	NEC NATIONAL ELECTRIC CODE
AWG	AMERICAN WIRE GAUGE	NEMA NATIONAL ELECTRICAL MANUFACTURES ASSOCIATION
BFG	BELOW FINISH GRADE	NFPA NATIONAL FIRE PROTECTION ASSOCIATION
BLDG	BUILDING	NFPA NATIONAL FIRE PROTECTION ASSOCIATION
C	CONDUIT	NO NORMALLY OPEN OR NUMBER
CAT	CATALOG	NTS NOT TO SCALE
CB	CIRCUIT BREAKER	P POLE
CBM	CERTIFIED BALLASTS MANUFACTURERS	PB PUSHBUTTON
CKT	CIRCUIT	PNL PANEL
CL	CENTERLINE	POS PROVIDED UNDER OTHER SECTIONS
CLF	CURRENT LIMITING FUSE	PVC POLYVINYL CHLORIDE
COL	COLUMN	PWR POWER
CPT	CONTROL POWER TRANSFORMER	QTY QUANTITY
CT	CURRENT TRANSFORMER	REQ'D REQUIRED
CU	COPPER	RMC RIGID METAL CONDUIT
DWG	DRAWING	RMS ROOT MEAN SQUARED
EC	ELECTRICAL CONTRACTOR	RNMC RIGID NON-METALLIC CONDUIT
EF	EXHAUST FAN	RTU ROOF TOP UNIT
EM	EMERGENCY	SP SPARE
EMT	ELECTRICAL METALLIC TUBING	SW SWITCH
EPO	EMERGENCY POWER OFF	SYM SYMMETRICAL
EWC	ELECTRIC WATER COOLER	TEL TELEPHONE
F	FUSE	TMCB THERMAL MAGNETIC CIRCUIT BREAKER
FA	FIRE ALARM	UG UNDERGROUND OR UNDERGRADE CONDUIT
FLA	FULL LOAD AMPERES	UL UNDERWRITERS LABORATORIES
FMC	FLEXIBLE METAL CONDUIT	V VOLT
FT	FEET	VT VOLTAGE TRANSFORMER
GND,G	GROUND OR GROUNDING	W WIRE
GRMC	GALVANIZED RIGID METALLIC CONDUIT	WH WATER HEATER
HOA	HAND, OFF, AUTOMATIC SWITCH	WP WEATHER PROOF
IEEE	INSTITUTE OF ELECTRICAL AND ELECTRONIC ENGINEERS	XFMR TRANSFORMER
IMC	INTERMEDIATE METAL CONDUIT	Δ DELTA
INT	INTERLOCK	∇ WYE
KOMIL	THOUSAND CIRCULAR MILS	∅ PHASE

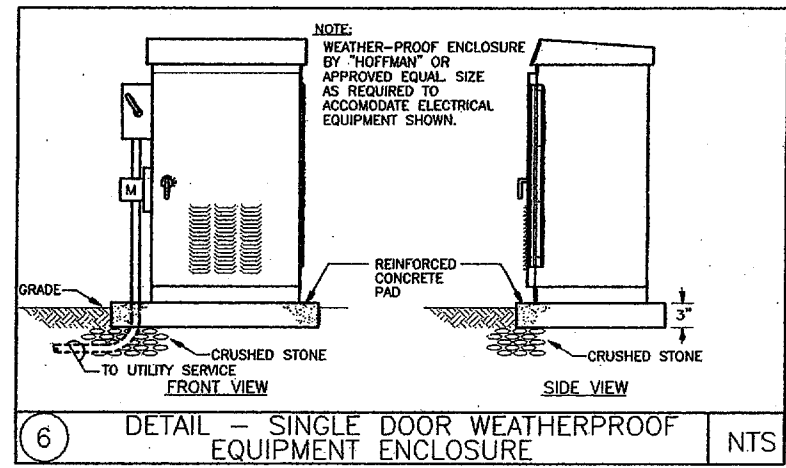
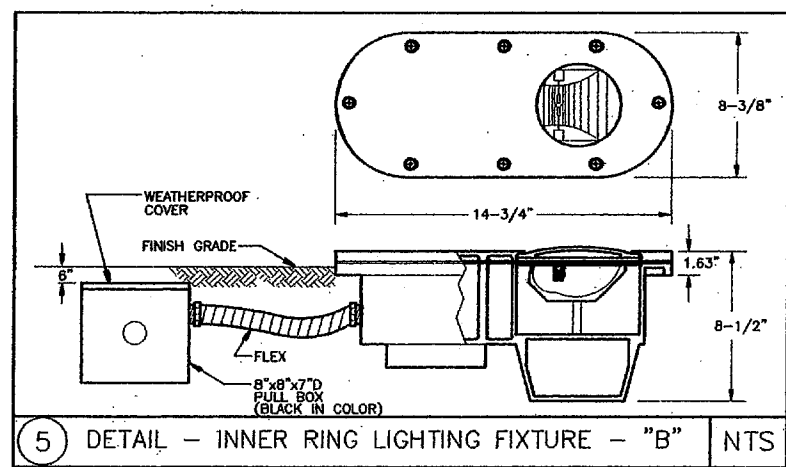
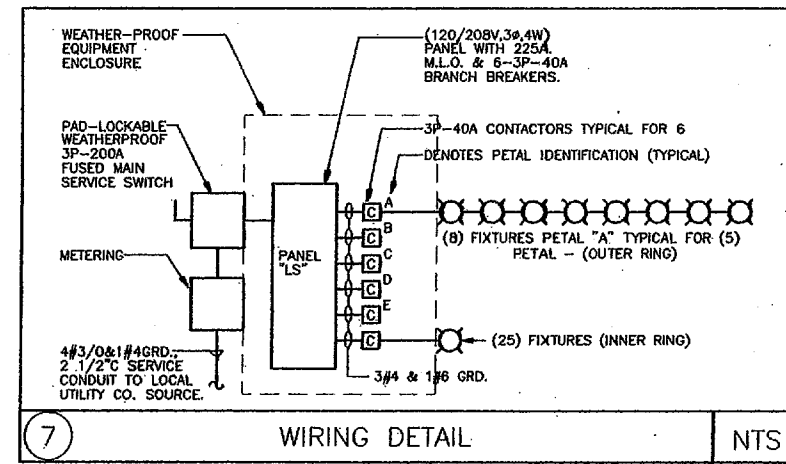
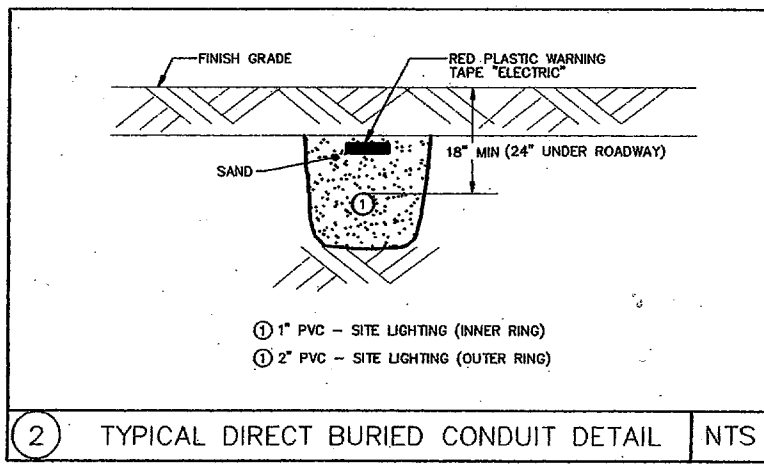
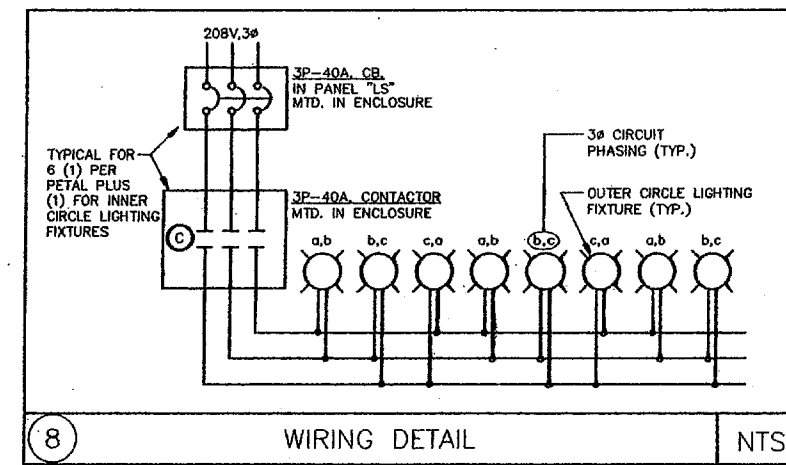
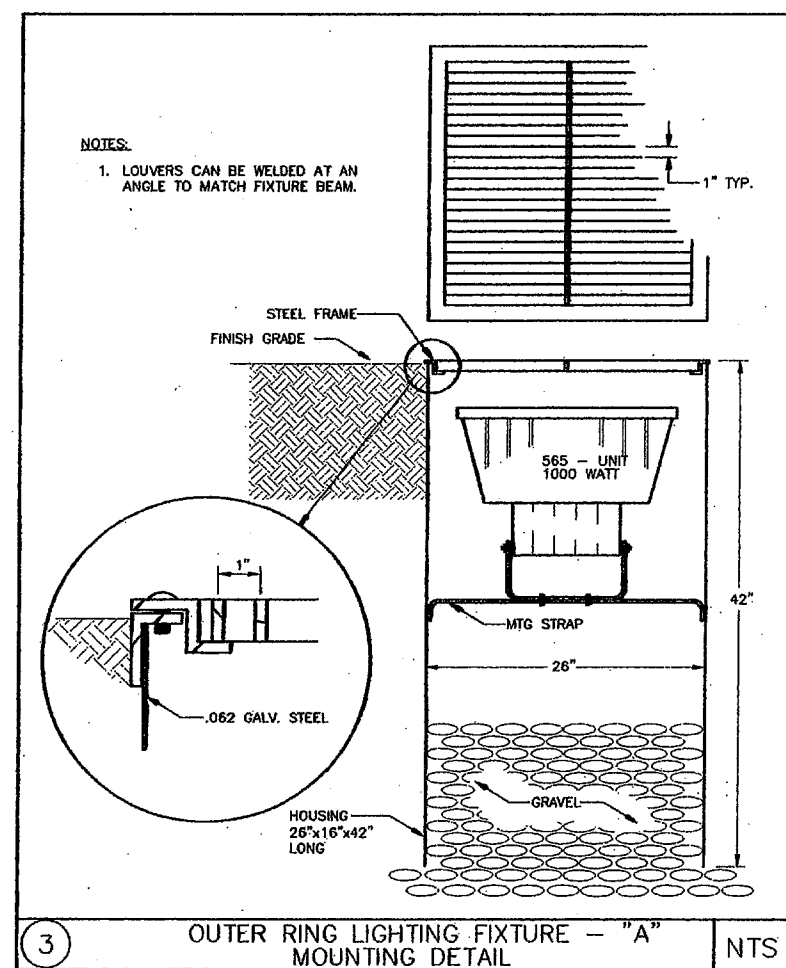
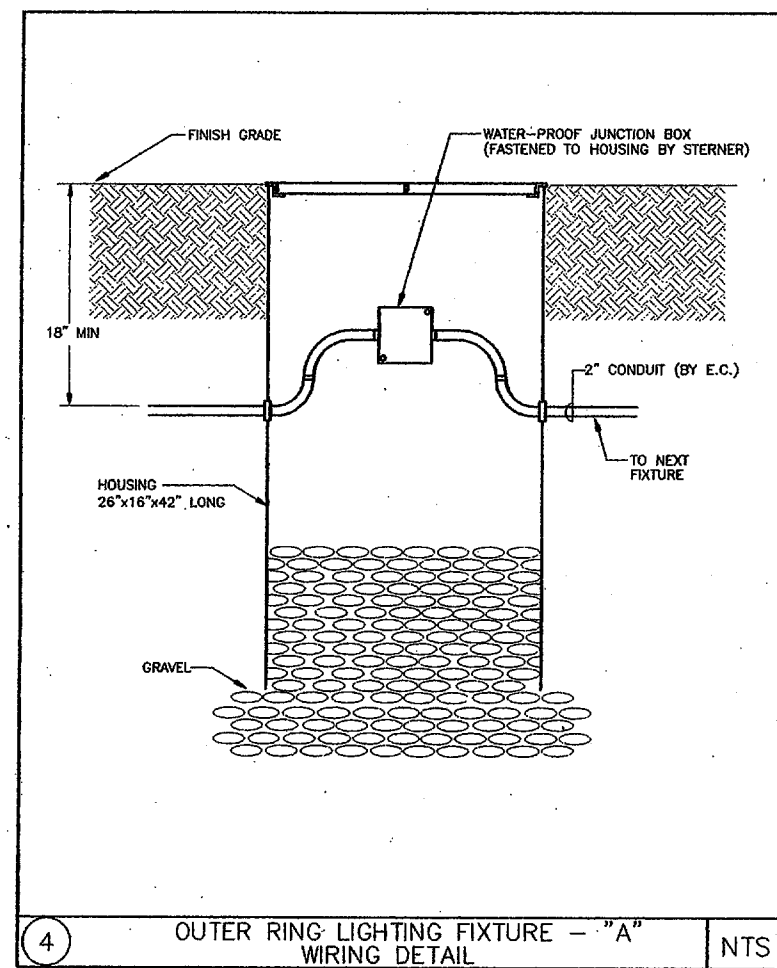
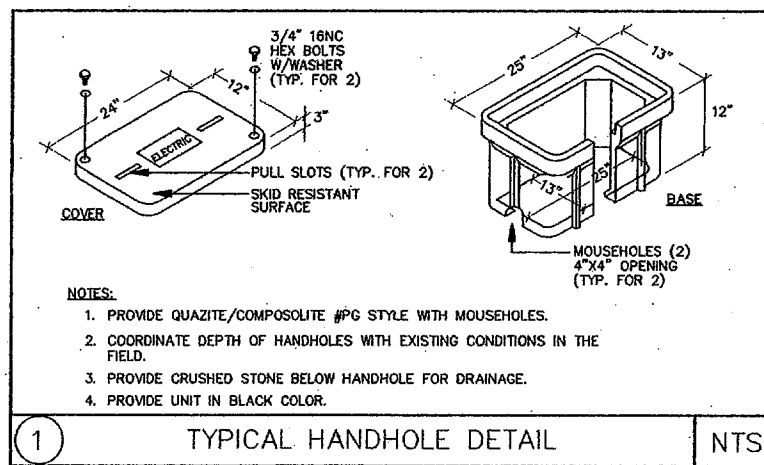
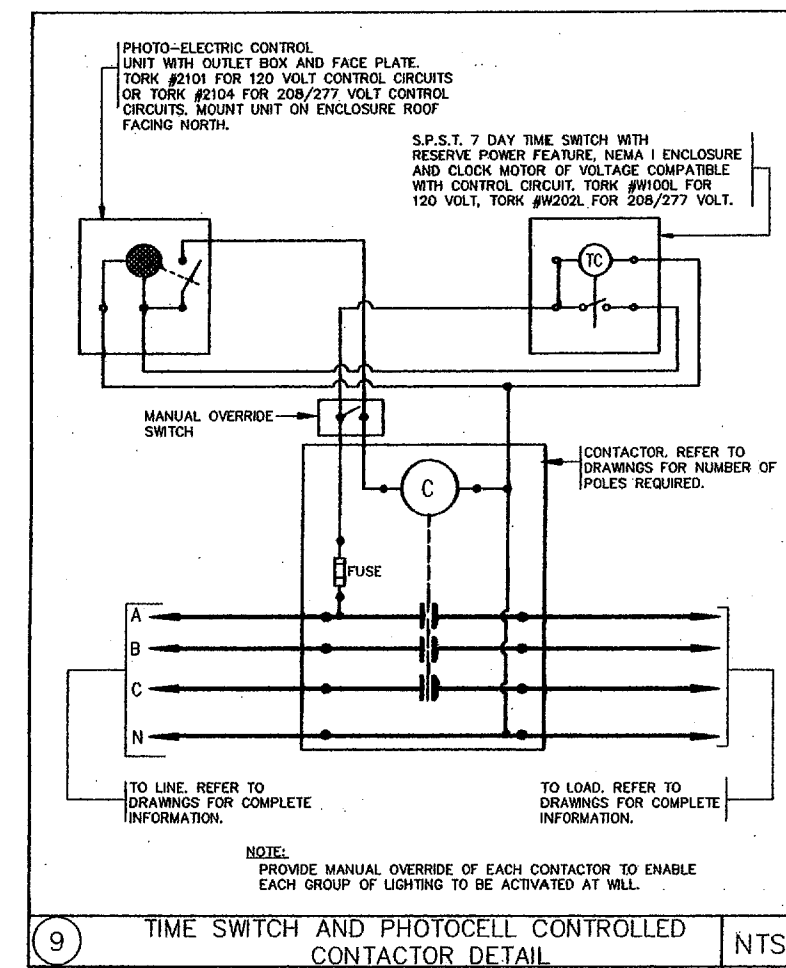


**LIGHTING FIXTURE SCHEDULE**

FIXTURE TYPE	DESCRIPTION	MANUFACTURER AND CATALOG NUMBER	LAMPS		VOLTAGE
			NUMBER	TYPE	
A	METAL HALIDE CANOPY UPLIGHT  NOTE: BASE FIXTURE WITH INTEGRAL BALLAST MOUNTED ON CROSS BRACE WITHIN CUSTOM 16"Wx28"Lx42"D GALVANIZED STEEL HOUSING WITH 1" DEEP x 1 1/2" GRATE ENCLOSURE. BEAM DISTRIBUTION TO MEET MANUFACTURER PHOTOMETRIC FILE #B72559.ies.	STERNER "INFRANOR" 565-MOD/WELL LIGHT-N-N-N-48x79-1000H-208V-E	1	MS 1000/HOR/8T37 (CLEAR, 3400K, 05 CR) VENTURE OR EQUAL	208
B	METAL HALIDE PAR-30 DIRECT BURIAL COLUMN ACCENT LIGHT  NOTE: 1. MODIFIED FOR METAL HALIDE PAR 30 LONG NECK LAMP. 2. INCLUDE (ADD-ALTERNATE) TO PROVIDE AND INSTALL TYPE "B" FIXTURE ONLY. BOXES, CONDUIT AND WIRING SHALL BE PART OF BASE BID.	GREENLEE LIGHTING INC. M-MHB-35-MH-208V-MOD/WH/FA-30L-BLK-TR-HL	1	CDM 35/PAR 30L/SP (SPOT 10" DISTRIBUTION, 3000K, 81CR) PHILIPS OR EQUAL	208

**CONTACTOR SCHEDULE**

UNIT NO.	FUNCTION	VOLTAGE	AMPERAGE	POLES	ENCLOSURE	REMARKS
1	CONTROL OF LIGHTING - PETAL "A"	208,3ø	40	3	OPEN	
2	CONTROL OF LIGHTING - PETAL "B"	208,3ø	40	3	OPEN	
3	CONTROL OF LIGHTING - PETAL "C"	208,3ø	40	3	OPEN	
4	CONTROL OF LIGHTING - PETAL "D"	208,3ø	40	3	OPEN	
5	CONTROL OF LIGHTING - PETAL "E"	208,3ø	40	3	OPEN	
6	CONTROL OF LIGHTING - INNER CIRCLE	208,1ø	40	2	OPEN	
7	SPARE ( PROVIDE LOOSE )	208,3ø	40	3	OPEN	



**ADDISON CIRCLE ROND POINT**

Addison, Texas

BID NO. 98-10

Client:  
Town of Addison  
P.O. Box 144  
5300 Belt Line Road  
Addison, Texas  
75001-0144  
Tel: 972.450.7000  
Fax: 972.450.7043

Landscape Architect:  
Michael Van Valkenburgh  
Associates, Inc.  
231 Concord Avenue  
Cambridge, Massachusetts  
02138  
Tel: 617.864.2076  
Fax: 617.492.3128

Artist:  
Mel Chin  
P.O. Box 566  
Burnsville, North Carolina 28714  
Tel: 704.882.7199  
Fax: 212.388.9330

Architect / Design Consultant:  
Thompson and Rose Architects  
1430 Massachusetts Ave.  
Cambridge, MA 02138  
Tel: 617.878.9966  
Fax: 617.878.9922

Structural Engineer:  
LeMessurier Consultants  
675 Massachusetts Avenue  
Cambridge, MA 02138  
Tel: 617.868.1200  
Fax: 617.661.7520

Lighting Designer:  
Cline Bettridge Bernstein Lighting Design  
30 West 22nd Street  
New York, NY 10010  
Tel: 212.741.3280  
Fax: 212.741.3112

Metal Fabricator Cost Consultant:  
Metalmorphosis  
3101 S. La Cienega Boulevard  
Los Angeles, CA 90016  
Tel: 310.287.0593  
Fax: 310.287.0596

Geotechnical Engineer:  
HBC Engineering, Inc.  
4747 Irving Boulevard, Suite 206  
Dallas, TX 75247  
Tel: 214.630.1010  
Fax: 214.630.7070

Electric Engineer:  
R.C. Vanderweil Engineers, Inc.  
266 Summer St.  
Boston, MA 02210-1112  
Tel: 617.423.7423  
Fax: 617.423.7401

Irrigation Consultant:  
Terry J. Little, Irrigation Consultant  
16835 Addison Road  
Suite 103  
Dallas, TX 75248  
Tel: 972.380.4566  
Fax: 972.380.4566

100% CONSTRUCTION DOCUMENTS

MICHAEL VAN VALKENBURGH ASSOCIATES, INC.  
LANDSCAPE ARCHITECTS

231 CONCORD AVENUE, CAMBRIDGE, MA 02138 USA  
TEL: (617) 864-2076 FAX (617) 492-3128

DRAWING TITLE  
**ELECTRICAL LEGEND, DETAILS, SCHEDULES, AND GENERAL NOTES**

JOB NUMBER: 098600 DRAWING NUMBER:  
DATE: 12 August 98  
SCALE: N.T.S.  
DRAWN BY: PJM  
CHECKED BY: J.K.  
**E-201**