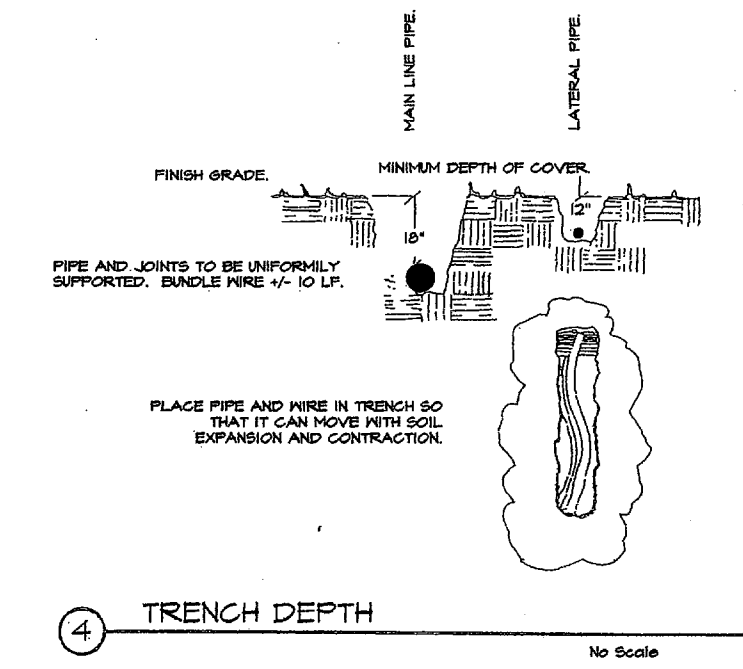
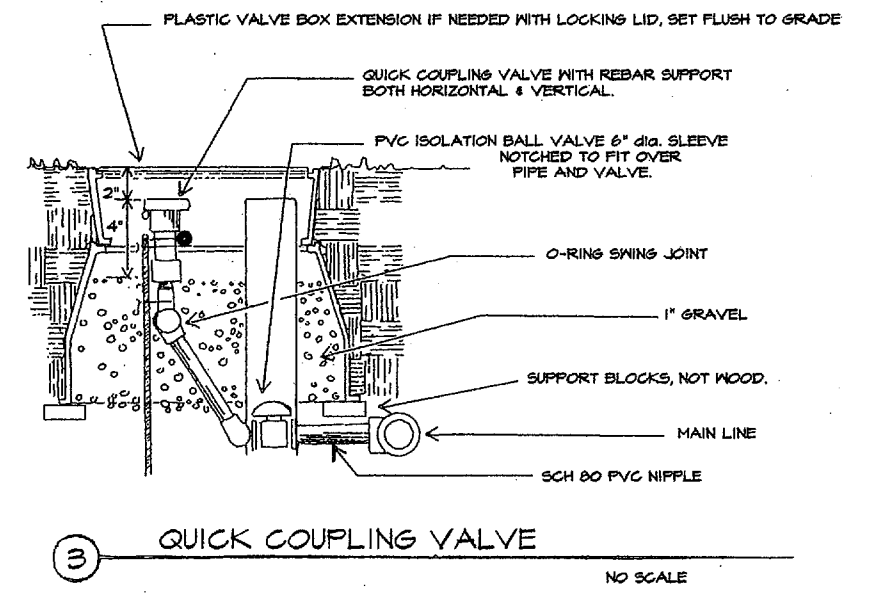
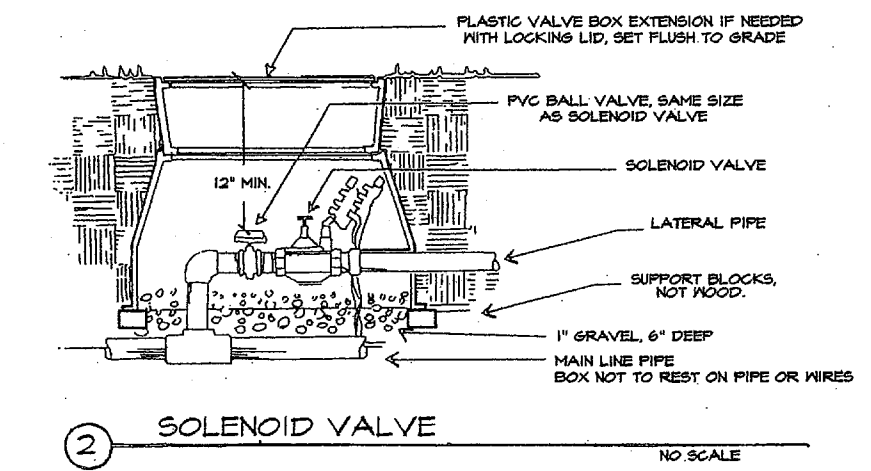
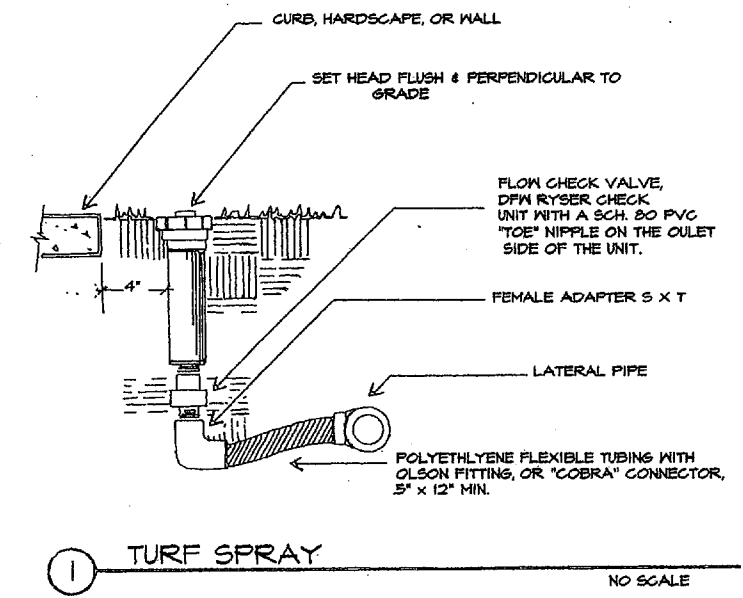


EQUIPMENT LEGEND

- Not shown on this Plan Item is located off site. Existing water meter and double check valve assembly serving the main line pipe stubbed into the project area. Locate the double check valve and test for proper operation, repair if needed.
- Not shown on this Plan Item is located off site. Existing Rain Master controller in Bldg. A electrical room with 3 stubbed valve wires. Unit not shown on this plan, refer to Bosque Park plans, sheet E-5 prepared by Hult-Zollars, Inc., David Meyers, (214) 871-3311.
- Weathermatic 11000 series solenoid valve, size noted on plans. Install per detail.
- Buckner #30A, .75" diameter quick coupling valve.
- Toro 570Z-4F-COM turf spray head on riser with 15' radius nozzle.
- Main line Sch. 40 PVC pipe, w/solvent welded joints.
- Irrigation lateral pipe, Class 200 PVC with solvent weld jointed pipe.
- Controller station assignment.
- Valve size, diameter in inches.
- Flow through the valve in gallons per minute.

SYSTEM NOTES

1. The Irrigation contractor is responsible for making himself familiar with all underground utilities, pipes and structures either shown or not shown on the plans. Contractor to field verify all dimensions before starting installation.
2. Verify a static water pressure of 60 psi stubbed water service pipe. Notify the designer if the reading is different before beginning any installation. Failure to not do so will result in the contractor assuming full liability for any system modifications necessary.
3. All valves, wire splices, quick couplers, etc. are to be positioned within valve boxes having black lids and that have latching/locking lids.
4. Wires for actuation of solenoid valves shall be UL-UF solid copper wire and splices shall be made only within a valve box.
5. Valve boxes are to be aligned in a straight row with black lids, flush to grade and generally located away from walking surfaces. Compact soil firmly around each box.
6. Do not operate irrigation schedules that overload the system hydraulically by causing water to travel faster than 5.0 fps or demand more than 60 gpm.



ADDISON CIRCLE ROND POINT

Addison, Texas

Bid No. 98-10

Client:
Town of Addison
P.O. Box 144
5300 Belt Line Road
Addison, Texas 75001-0144
Tel: 972.450.7000
Fax: 972.450.7043

Landscape Architect:
Michael Van Valkenburgh Associates, Inc.
231 Concord Avenue
Cambridge, Massachusetts 02138
Tel: 617.864.2076
Fax: 617.492.3128

Artist:
Mel Chin
P.O. Box 566
Burnsville, North Carolina 28714
Tel: 704.682.7199
Fax: 212.388.9330

Architect / Design Consultant:
Thompson and Rose Architects
1430 Massachusetts Ave.
Cambridge, MA 02138
Tel: 617.876.9966
Fax: 617.876.9922

Structural Engineer:
LeMessurier Consultants
675 Massachusetts Avenue
Cambridge, MA 02138
Tel: 617.868.1200
Fax: 617.661.7520

Lighting Designer:
Cline Bettridge Bernstein Lighting Design
30 West 22nd Street
New York, NY 10010
Tel: 212.741.3280
Fax: 212.741.3112

Metal Fabricator Cost Consultant:
Metalmorphosis
3101 S. La Cienega Boulevard
Los Angeles, CA 90016
Tel: 310.287.0593
Fax: 310.287.0596

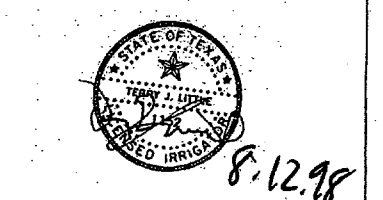
Geotechnical Engineer:
HBC Engineering, Inc.
4747 Irving Boulevard, Suite 206
Dallas, TX 75247
Tel: 214.630.1010
Fax: 214.630.7070

Electric Engineer:
R.G. Vanderweil Engineers, Inc.
266 Summer St.
Boston, MA 02210-1112
Tel: 617.423.7423
Fax: 617.423.7401

Irrigation Consultant:
Terry J. Little, Irrigation Consultant
16835 Addison Road
Suite 103
Dallas, TX 75248
Tel: 972.380.4566
Fax: 972.380.4566

100% Construction Documents

MICHAEL VAN VALKENBURGH ASSOCIATES, INC.
LANDSCAPE ARCHITECTS



231 CONCORD AVENUE, CAMBRIDGE, MA 02138 USA
TEL (617) 864-2076 FAX (617) 492-3128

Irrigation Plan, Notes and Details

JOB NUMBER 9830 DRAWING NUMBER
DATE 12 August 1998
SCALE 1" = 20'-0"
DRAWN BY TL
CHECKED BY
11.01