

Client:  
Town of Addison  
P.O. Box 144  
5300 Belt Line Road  
Addison, Texas 76001-0144  
Tel: 972.450.7000  
Fax: 972.450.7043

Landscape Architect:  
Michael Van Valkenburgh Associates, Inc.  
281 Concord Avenue  
Cambridge, Massachusetts 02138  
Tel: 617.864.2078  
Fax: 617.492.3128

Artist:  
Mel Chin  
P.O. Box 566  
Burnsville, North Carolina 28714  
Tel: 704.682.7199  
Fax: 212.388.9380

Architect/Design Consultant:  
Thompson and Rose Architects  
1430 Massachusetts Ave.  
Cambridge, MA 02138  
Tel: 617.878.9966  
Fax: 617.878.9922

Structural Engineer:  
LeMessurier Consultants  
675 Massachusetts Avenue  
Cambridge, MA 02139  
Tel: 617.868.1200  
Fax: 617.861.7520

Lighting Designer:  
Cline Bettridge Bernstein Lighting Design  
30 West 22nd Street  
New York, NY 10010  
Tel: 212.741.3280  
Fax: 212.741.3113

Metal Fabricator Cost Consultant:  
Metalmorphosis  
3101 S. La Granga Boulevard  
Los Angeles, CA 90018  
Tel: 310.287.0693  
Fax: 310.287.0696

Geotechnical Engineer:  
HBO Engineering, Inc.  
4747 Irving Boulevard, Suite 206  
Dallas, TX 75247  
Tel: 214.680.1010  
Fax: 214.680.7070

Electric Engineer:  
R.G. Vanderweil Engineers, Inc.  
266 Summer St.  
Boston, MA 02210-1112  
Tel: 617.423.7423  
Fax: 617.423.7401

Irrigation Consultant:  
Terry J. Little, Irrigation Consultant  
16895 Addison Road  
Suite 103  
Dallas, TX 75248  
Tel: 972.380.4566  
Fax: 972.380.4568

100% CONSTRUCTION DOCUMENTS

MICHAEL VAN VALKENBURGH & ASSOCIATES, INC.  
LANDSCAPE ARCHITECTS

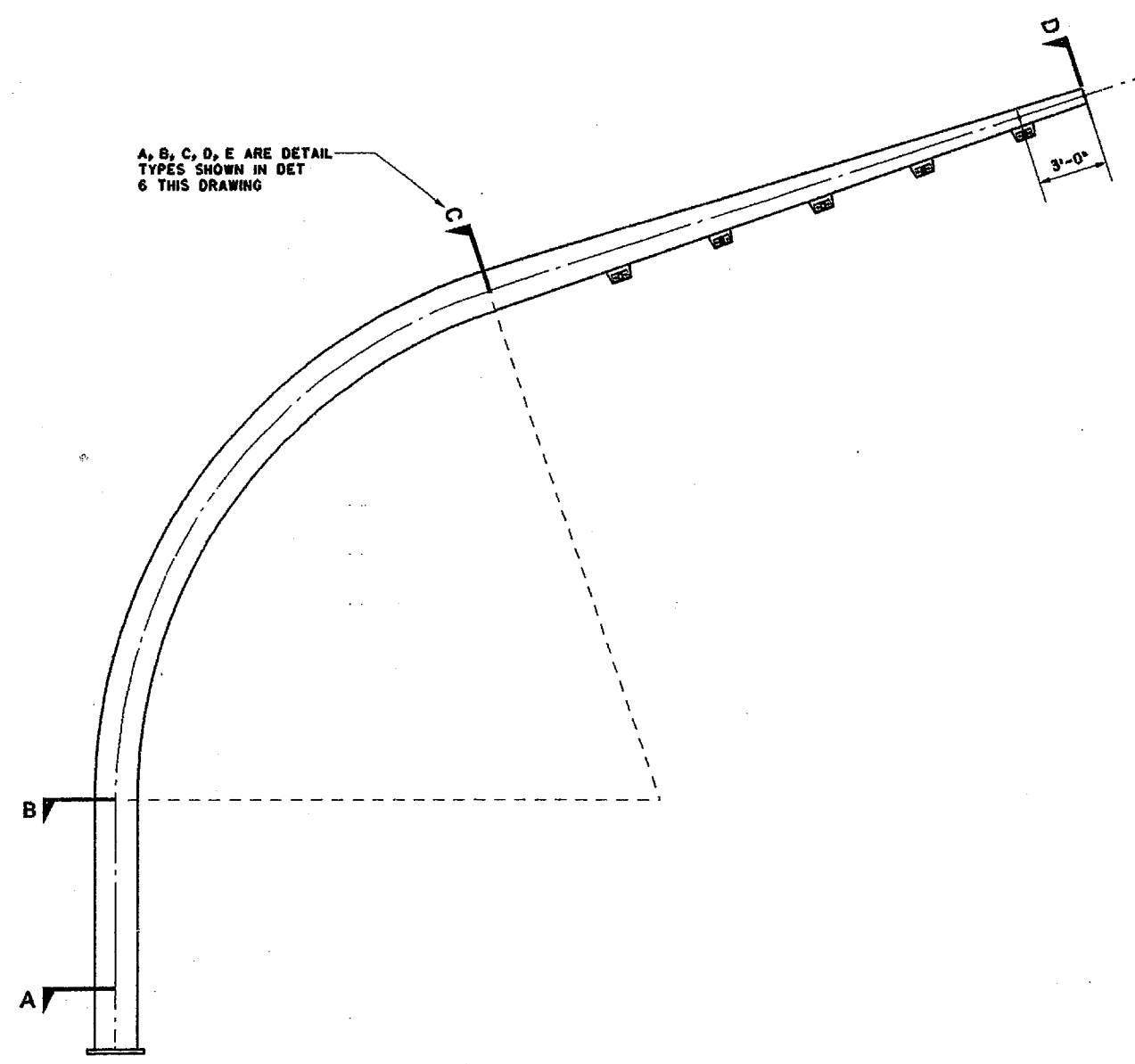
281 CONCORD AVENUE, CAMBRIDGE, MA 02138 USA  
TEL: (617) 864-2078 FAX: (617) 492-3128

DRAWING TITLE

Metal Sculpture  
Pole Layout  
and Details

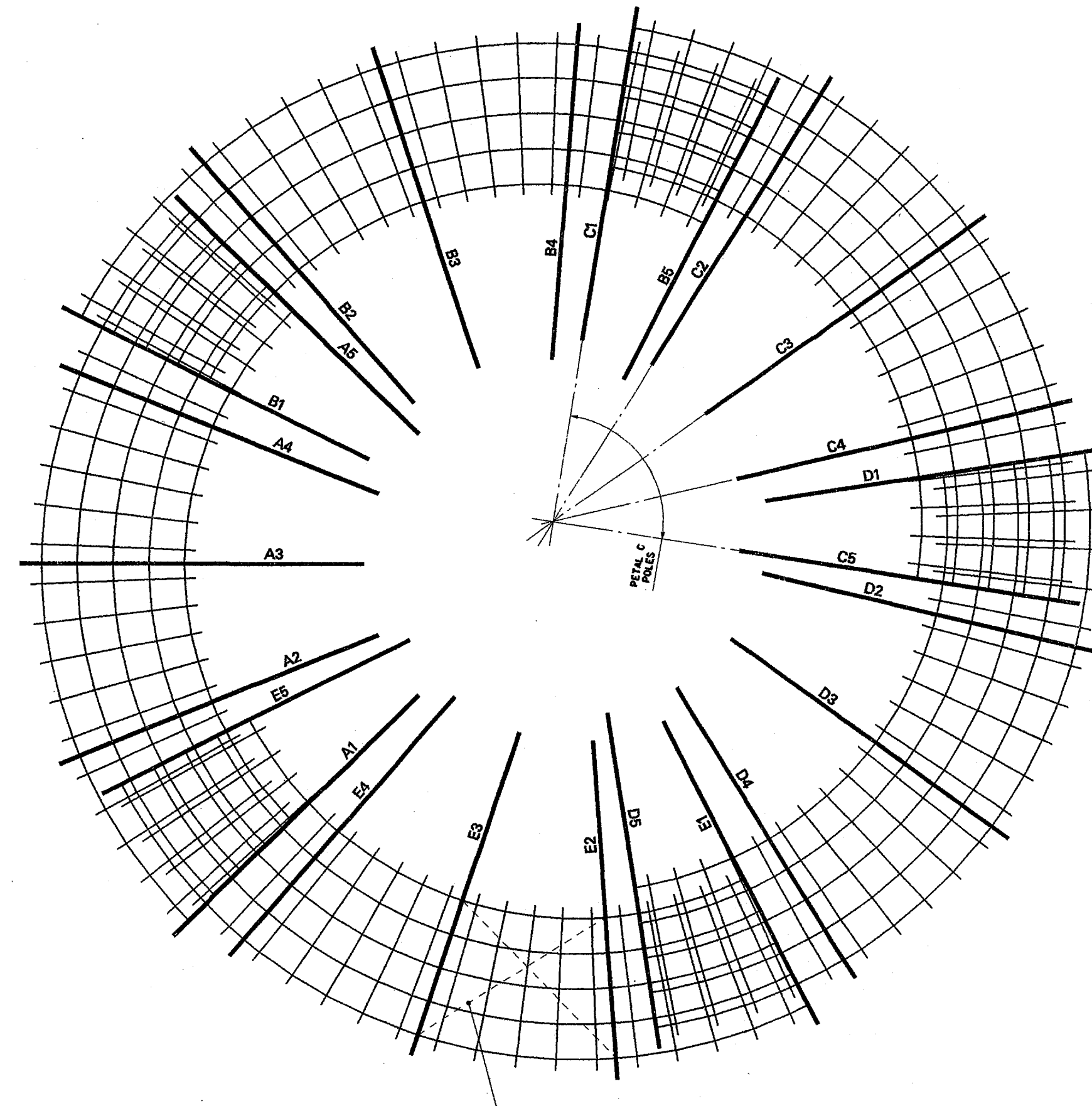
JOB NUMBER: 98275 DRAWING NUMBER:  
DATE: 12 AUG 1998  
SCALE: AS NOTED  
DRAWN BY: WCY  
CHECKED BY: DFS

S1.02



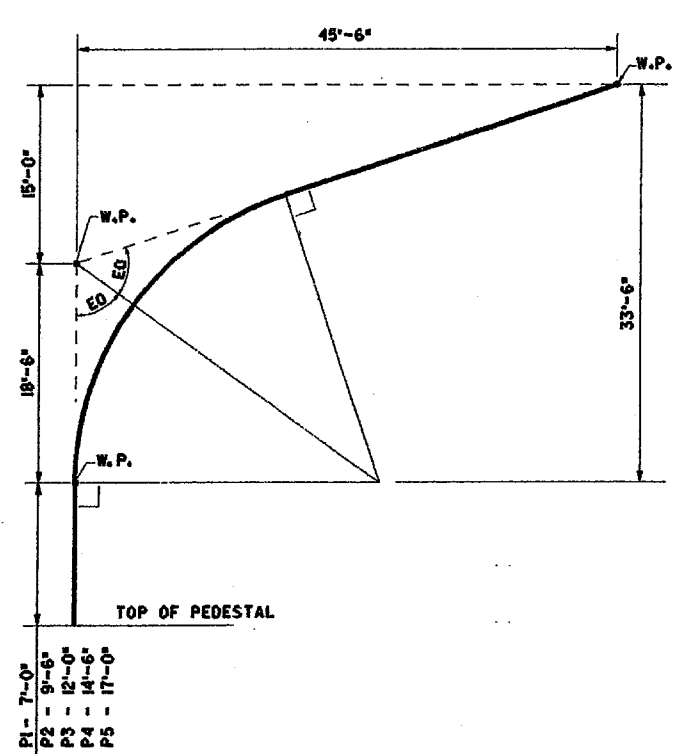
1 POLE ELEVATION

SCALE: 1/4"=1'-0"



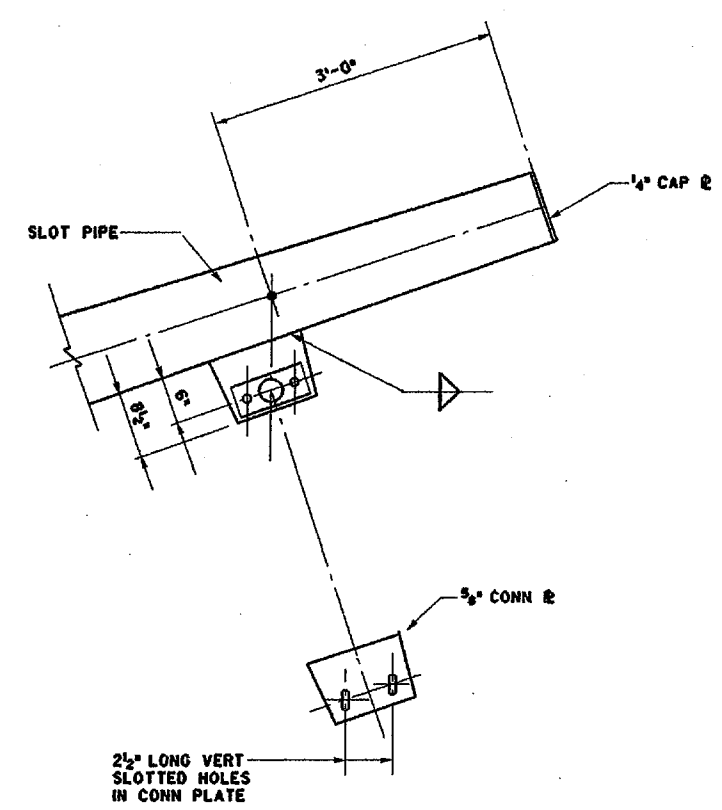
2 SUPERSTRUCTURE PLAN

SCALE: 1/8"=1'-0"



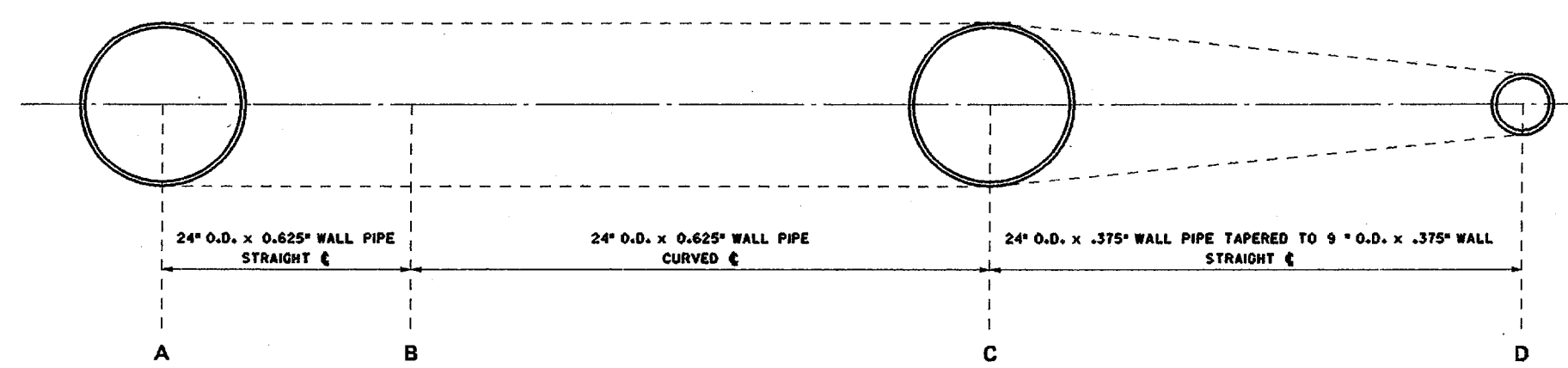
3 POLE GEOMETRY AT CENTERLINE OF PIPE

SCALE: 1/8"=1'-0"



4 DETAIL AT TRUSS SUPPORT

SCALE: 1"=1'-0"



6 DIAGRAM OF POLE CROSS SECTIONS

SCALE: 1"=1'-0"

ADDISON CIRCLE ROND POINT  
SINGLE  
DATE: 12 AUG 1998  
DRAWN BY: WCY  
CHECKED BY: DFS