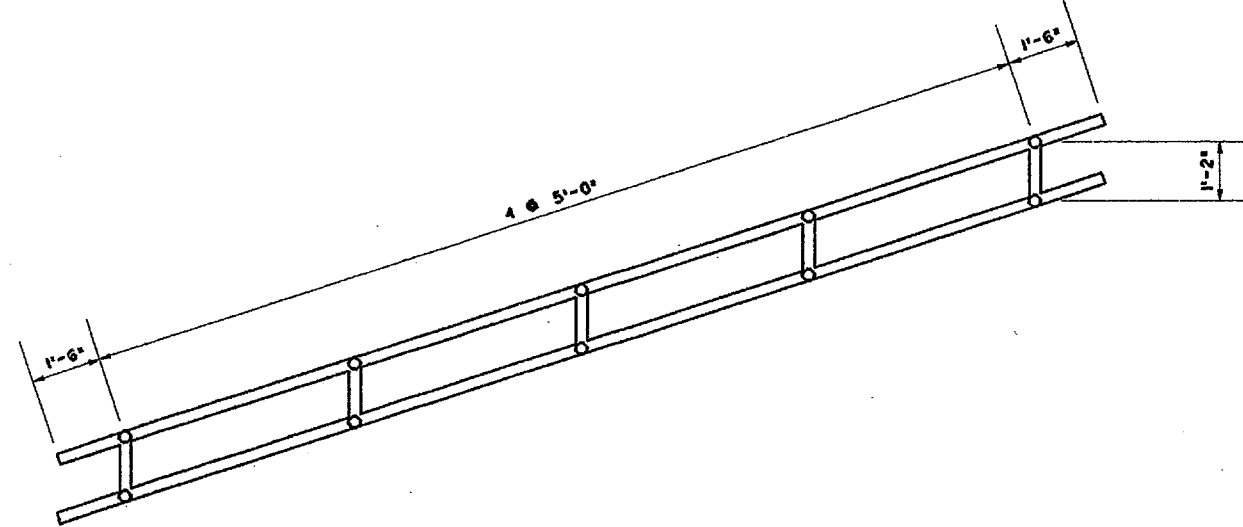
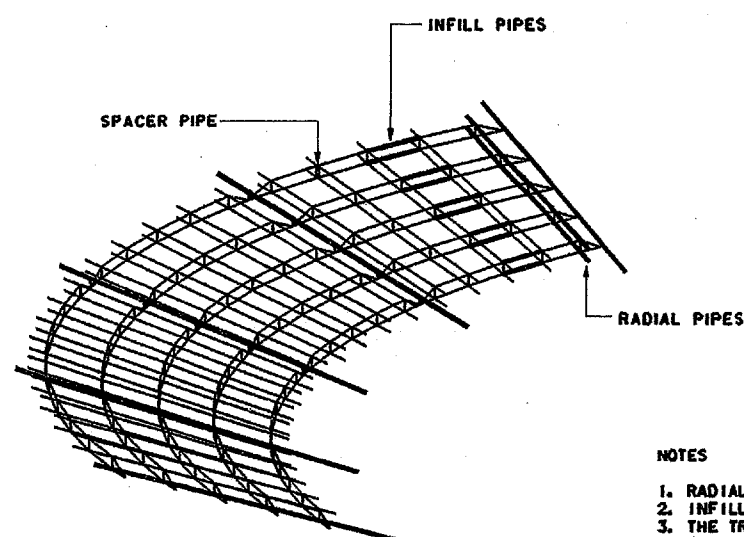


1 INFILL PIPE ELEVATIONS (RADIAL PROJ.)



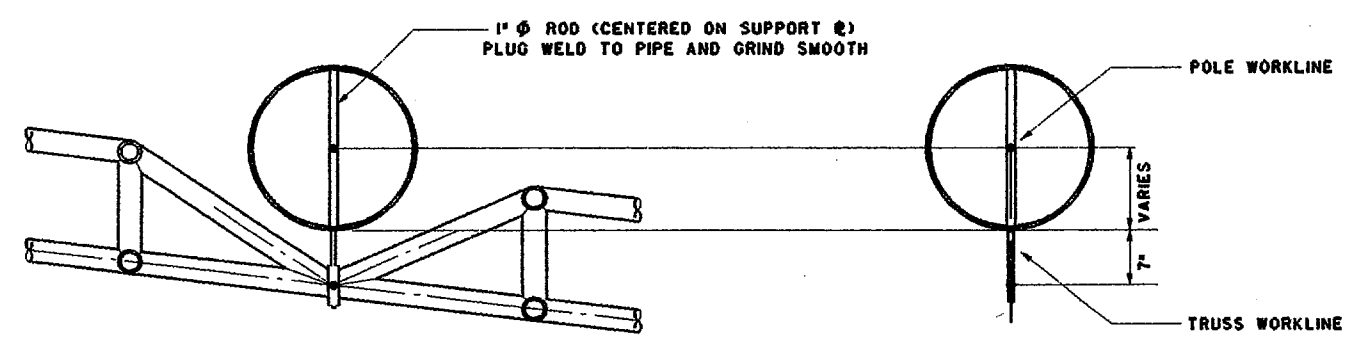
3 SIDE ELEVATION OF TYPICAL RADIAL PIPES



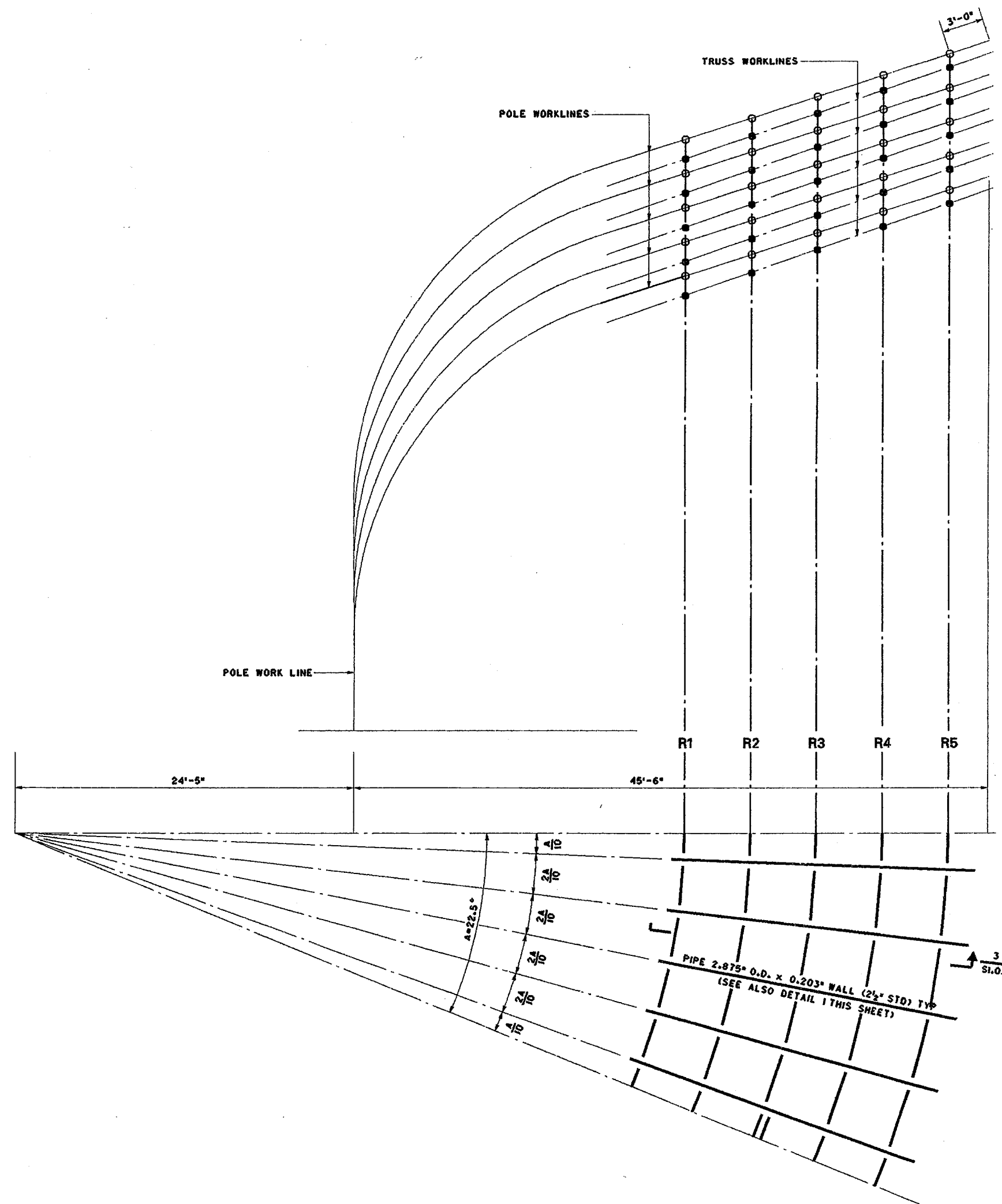
NOTES

1. RADIAL PIPES ARE ALL 23 FEET LONG.
2. INFILL PIPES AND SPACER PIPES ARE WELDED TO RADIAL PIPES.
3. THE TRUSS PANELS ARE ALL IDENTICAL.
4. THE TOP AND BOTTOM GRILLAGES ARE INTERCHANGABLE EXCEPT AT SUPPORT EDGES.
5. PIPES TO BE CAPPED FOR WATERTIGHTNESS.

4 PERSPECTIVE



2 SECTION AT TRUSS SUPPORT



5 TRUSS LAYOUT PLAN AND ELEVATION

**ADDISON CIRCLE
ROND POINT**

Addison, Texas

BID No. 98-10

Client:
Town of Addison
P.O. Box 344
5300 Bell Line Road
Addison, Texas 75001-0144
Tel: 972.450.7000
Fax: 972.450.7048

Landscape Architect:
Michael Van Valkenburgh Associates, Inc.
231 Concord Avenue
Cambridge, Massachusetts 02138
Tel: 617.864.2076
Fax: 617.462.8128

Artist:
Mal Chin
P.O. Box 568
Burnsville, North Carolina 28714
Tel: 704.682.7199
Fax: 212.368.8930

Architect/Design Consultant:
Thompson and Rose Architects
1450 Massachusetts Ave.
Cambridge, MA 02138
Tel: 617.878.9986
Fax: 617.878.9922

Structural Engineer:
LeMessurier Consultants
675 Massachusetts Avenue
Cambridge, MA 02139
Tel: 617.868.1200
Fax: 617.861.7620

Lighting Designer:
Cline Bettridge Bernstein Lighting Design
30 West 22nd Street
New York, NY 10010
Tel: 212.741.8280
Fax: 212.741.8112

Metal Fabricator Cost Consultant:
Metalmorphosis
8101 S. La Cienega Boulevard
Los Angeles, CA 90016
Tel: 310.287.0698
Fax: 310.287.0698

Geotechnical Engineer:
HBO Engineering, Inc.
4747 Irving Boulevard, Suite 206
Dallas, TX 75247
Tel: 214.630.1010
Fax: 214.630.7070

Electric Engineer:
R.G. Vanderweil Engineers, Inc.
288 Summer St.
Boston, MA 02210-1112
Tel: 617.428.7488
Fax: 617.428.7401

Irrigation Consultant:
Terry J. Little, Irrigation Consultant
18335 Addison Road
Suite 103
Dallas, TX 75248
Tel: 972.350.4566
Fax: 972.350.4566

**100% CONSTRUCTION
DOCUMENTS**

MICHAEL VAN VALKENBURGH ASSOCIATES, INC.
LANDSCAPE ARCHITECTS

231 CONCORD AVENUE, CAMBRIDGE, MA 02138 USA
TEL: 617.864.2076 FAX: 617.462.8128

ISSUED TITLE:

**Metal Sculpture
Truss Details**

JOB NUMBER: 98275 DRAWN NUMBER:
DATE: 12 AUG 1998
SCALE: AS NOTED
DESIGNED BY: WCY
CHECKED BY: DFS

S1.03