

NOTE: Removal and replacement of existing drives or alley pavement due to construction of Sanitary Sewer line is not a separate pay item. Include in applicable linear foot cost of pipe.

CAUTION! (Typical) Exist. Sanitary Sewer Laterals In This Area. Verify Location and Size Prior To Beginning Construction.

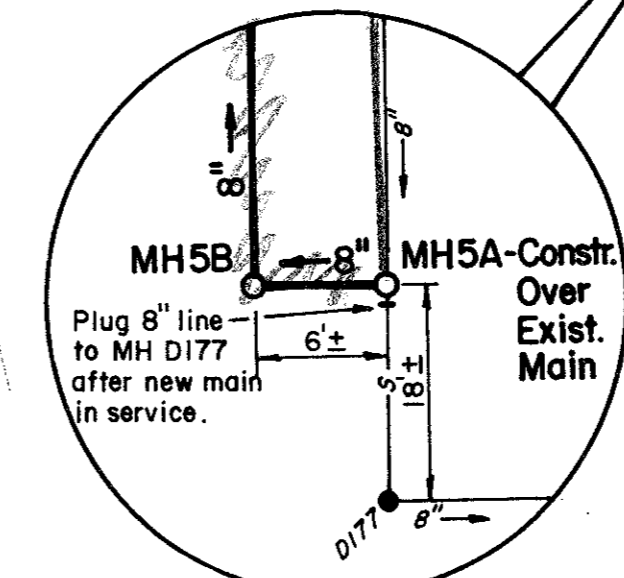
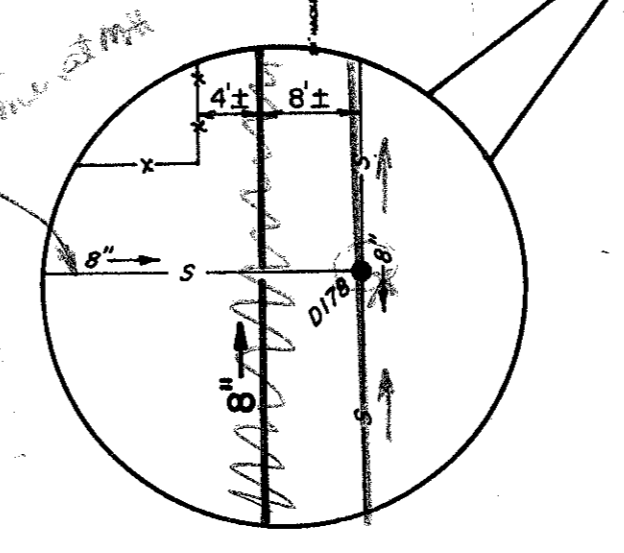
As built Moved MH #7 OVER EXISTING LINE

As built MOVE MH #5 OVER EXISTING LINE

As built MOVE MH #5B TO ADJACENT LINE AS SHOWN IN EXISTING PLAN AND AS BUILT

LEGEND

— 6" —	Exist. San. Sewer
— W —	Exist. Water
— G —	Exist. Gas
●	Exist. Manhole
+	Exist. Valve
— 8" —	PROPOSED SEWER
○	PROPOSED M.H.



TOWN OF ADDISON
DALLAS COUNTY, TEXAS

As Built's
SANITARY SEWER IMPROVEMENTS

#

PLAN

GINN, INC.
Consulting Engineers Dallas, Texas

31142
REGISTERED PROFESSIONAL ENGINEER

7/24/90

Designed - GF	Drawn - TEC	Date - June, 1990	Job No. - 90443
Approved - HWG	Checked - GF	Scale - 1"=40'	Sheet S2 of 10