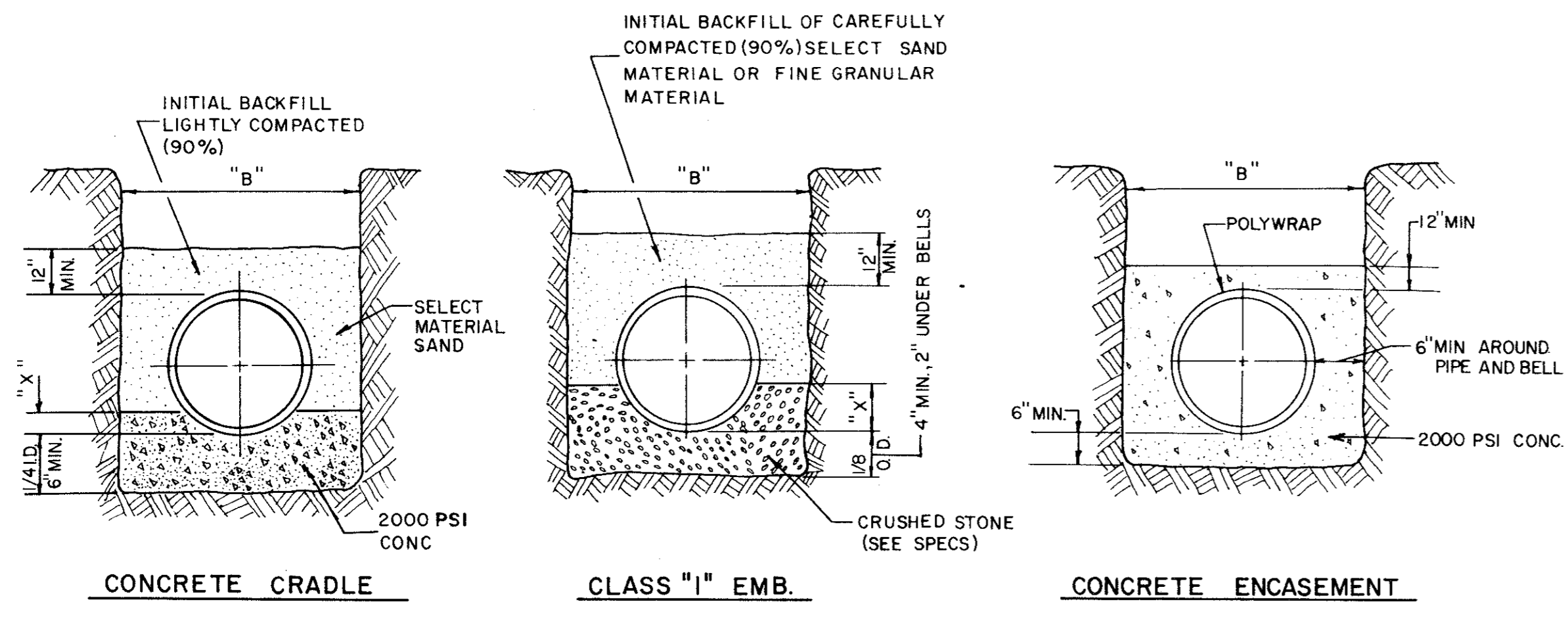


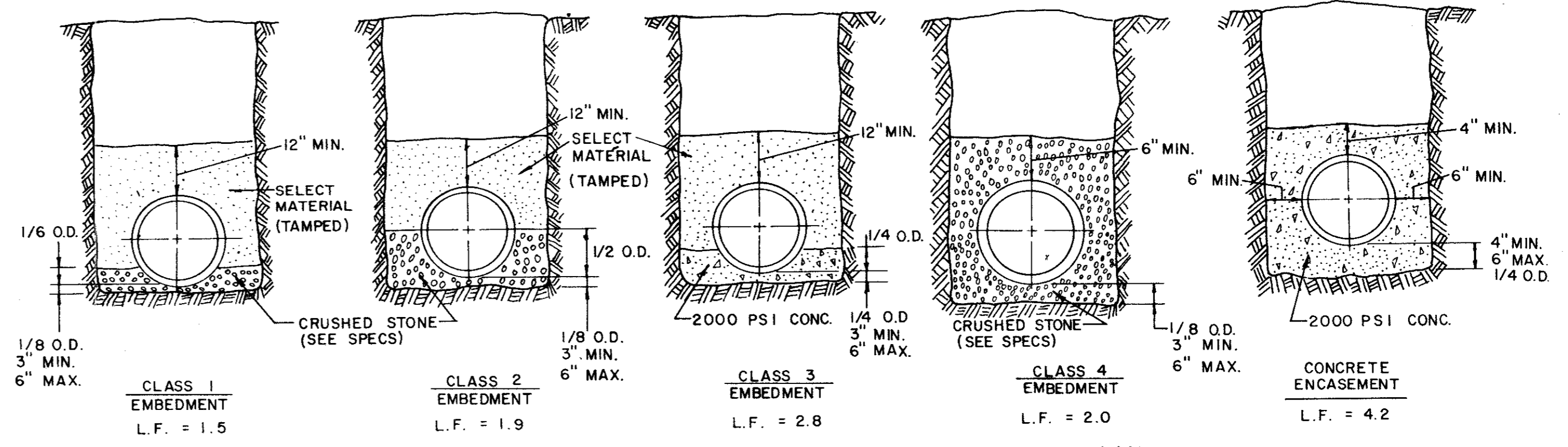
TYPICAL NATIVE MATERIAL COMPACTED TO:
 95% OPTIMUM MOISTURE ± 3% UNDER PAVEMENT
 90% OPTIMUM MOISTURE ± 3% OUTSIDE CURB LINES
 JETTING IS NOT ALLOWED
 BACKFILL TO BE COMPACTED IN 6"± LIFTS



EMBEDMENT DETAILS FOR RCP WATERLINE

TABLE OF QUANTITIES OF MATERIALS IN CUBIC YARDS PER 100 LINEAR FEET

INSIDE DIAMETER OF PIPE	APPROX. OUTSIDE DIAMETER OF PIPE	"X" IS A MINIMUM DEPTH	"B" TRENCH WIDTH FOR COMPUTATION OF QUANTITIES	CONCRETE		CRUSHED STONE FOR CL "1" EMBEDMENT
				FOR EMBEDMENT	FOR ENCASEMENT	
REINFORCED CONCRETE CYLINDER PIPE						
14"	17.25"	2.53"	34"	6.91	16.07	5.16
16"	19.38"	2.84"	36"	7.50	17.76	5.64
18"	21.78"	3.19"	38"	8.11	19.52	6.16
24"	27.75"	4.06"	44"	9.97	24.90	9.28



EMBEDMENT DETAILS FOR SANITARY SEWER

TABLE OF QUANTITIES OF 2000 PSI CONCRETE, GRAVEL OR CRUSHED STONE IN CUBIC YARDS PER 100 LINEAR FEET FOR EACH CLASS EMBEDMENT

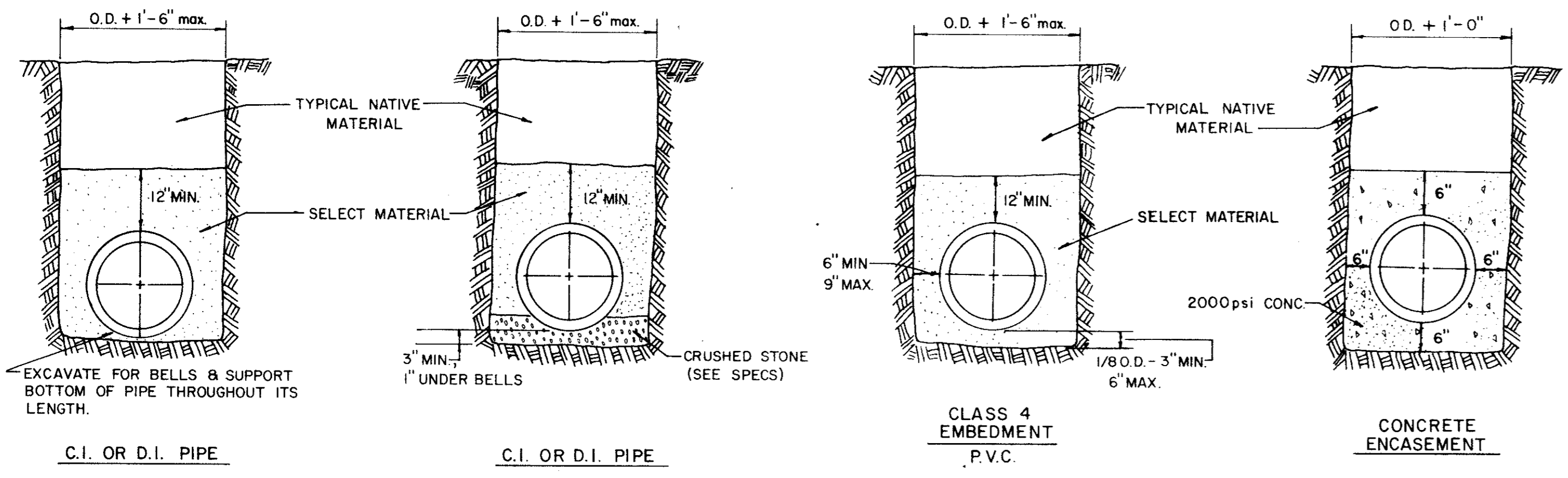
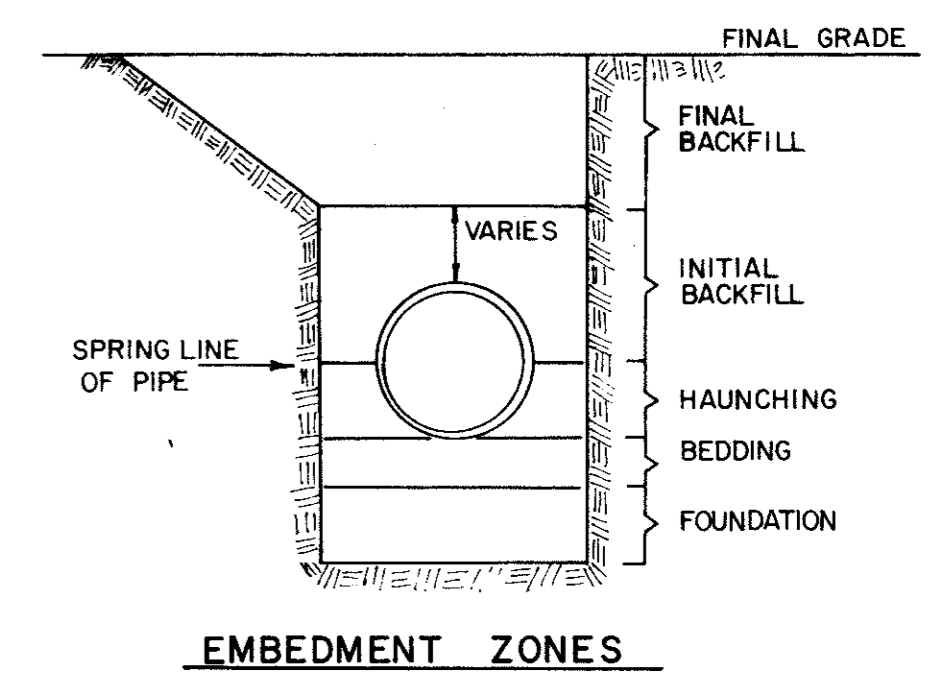
TABLE OF QUANTITIES PER 100 LINEAR FEET REINFORCED CONCRETE PIPE

SIZE OF PIPE IN INCHES I.D.	O.D. OF PIPE IN INCHES	TRENCH WIDTH IN INCHES	TRENCH WIDTH IN FEET	CLASS 1 EMBEDMENT CRUSHED STONE	CLASS 2 EMBEDMENT CRUSHED STONE	CLASS 3 EMBEDMENT CONCRETE	CONCRETE ENCASEMENT
12	16.00	32	2.67	4.1	6.5	4.8	15.8
15	19.50	36	3.00	4.8	7.8	6.4	19.2
18	23.00	39	3.25	5.7	9.2	8.2	21.2
21	26.50	43	3.58	6.9	11.0	10.2	24.9
24	30.00	46	3.83	8.3	13.1	12.4	28.7
27	33.50	51	4.25	10.3	16.1	14.4	32.8
30	37.00	57	4.75	12.7	20.1	17.0	34.8
33	40.50	62	5.17	15.1	23.8	19.3	39.2
36	44.00	67	5.58	18.0	28.6	22.1	43.8

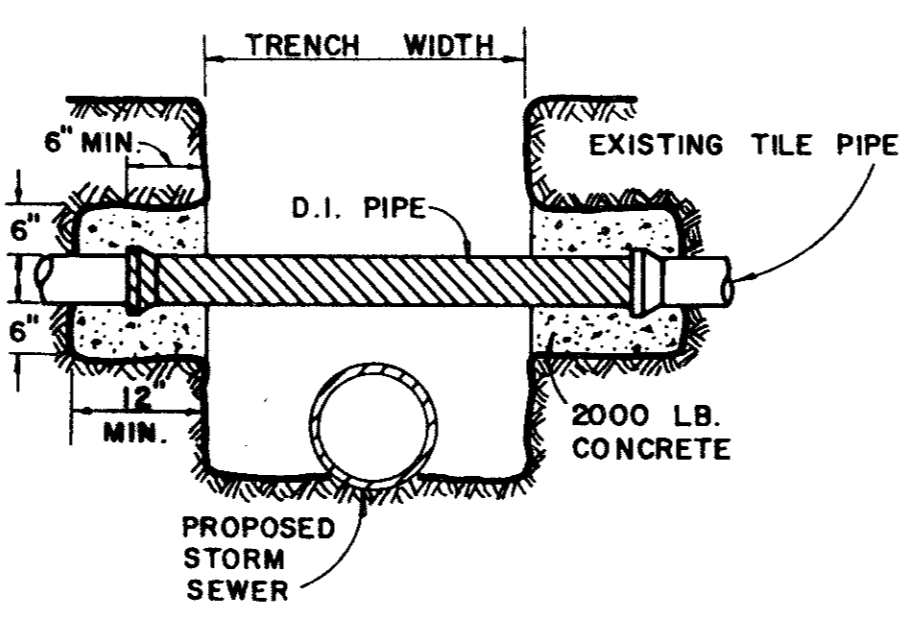
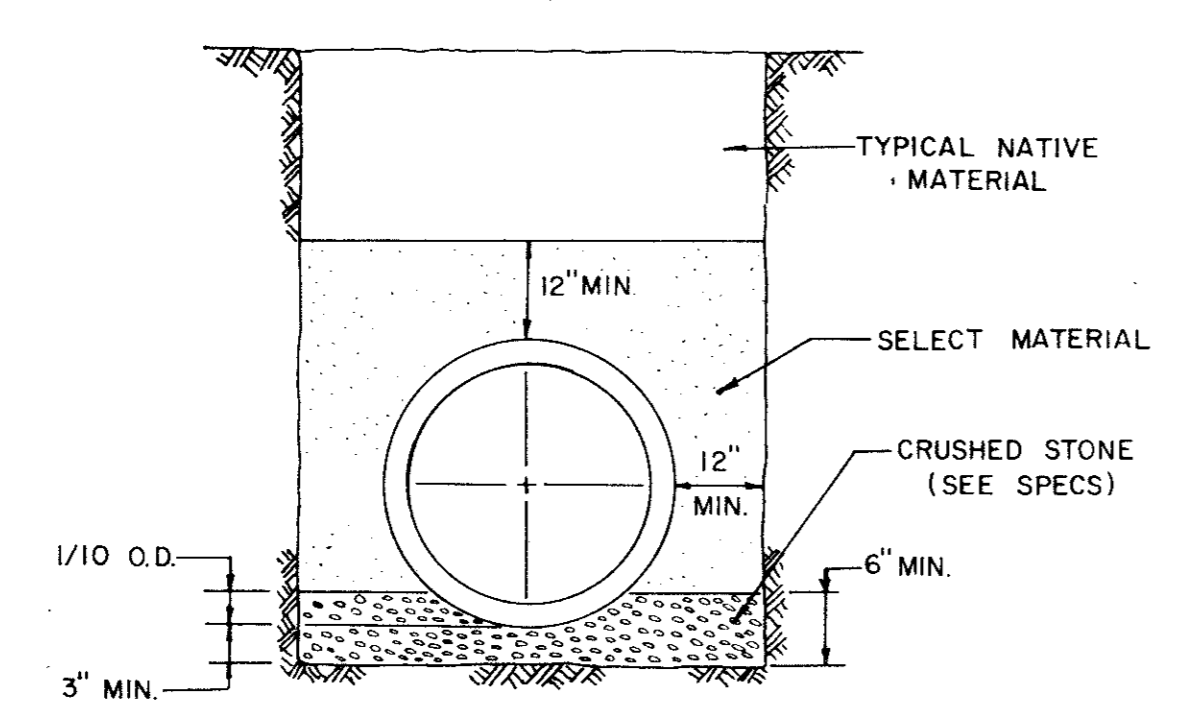
TABLE OF QUANTITIES PER 100 LINEAR FEET-PVC PIPE (IN CUBIC YARDS)

SIZE OF PIPE IN INCHES	O.D. OF PIPE IN INCHES	TRENCH WIDTH IN INCHES	TRENCH WIDTH IN FEET	CLASS 4 EMBEDMENT CRUSHED STONE	CONCRETE ENCASEMENT
6	6.28	24	2.00	8.0	11.7
8	8.16	24	2.00	8.7	12.4
10	10.20	26	2.18	10.2	14.2
12	12.24	28	2.35	11.7	15.9
16	15.30	31	2.61	14.0	18.8
24	24.00	36	3.00		
30	30.00	42	3.50		

NOTE: ALL SANITARY SEWER LINES THIS PROJECT SHALL HAVE CLASS 4 EMBEDMENT UNLESS OTHERWISE NOTED.

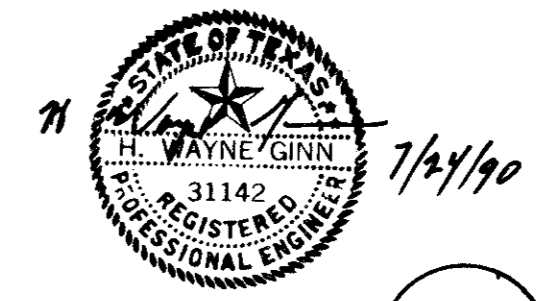


EMBEDMENT DETAILS FOR WATER MAIN



DETAIL OF UTILITY SUPPORT

EMBEDMENT DETAIL FOR STORM SEWER



No.	Revision	By	Date
STANDARD CONSTRUCTION DETAILS			
EMBEDMENT DETAILS			
GINN, INC. Consulting Engineers Dallas, Texas			
Designed - GINN	Drawn - GINN	Date - June, 1990	Job No. - 90443
Approved - GINN	Checked - GINN	Scale - N.T.S.	Sheet SB of 10

SD20