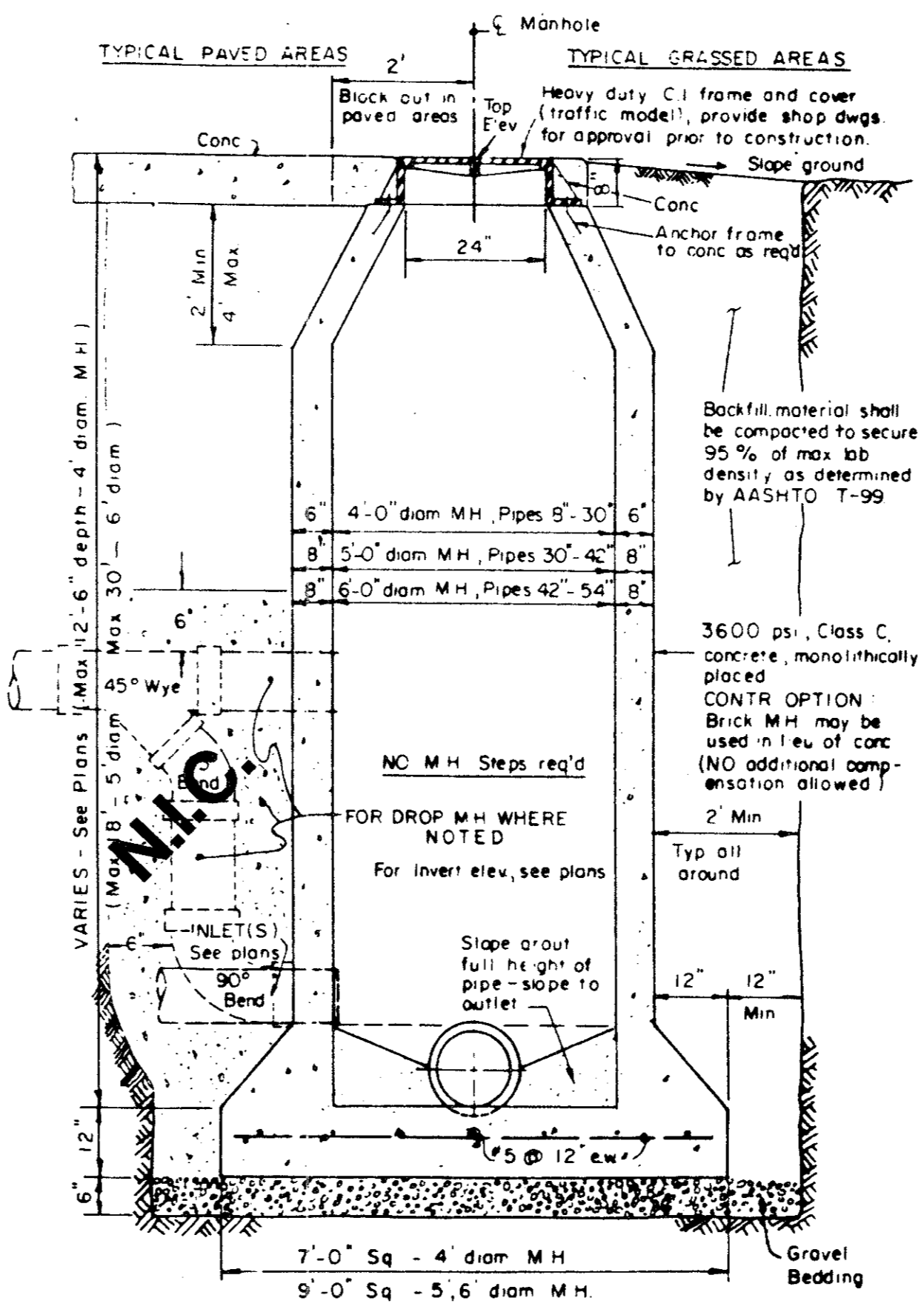
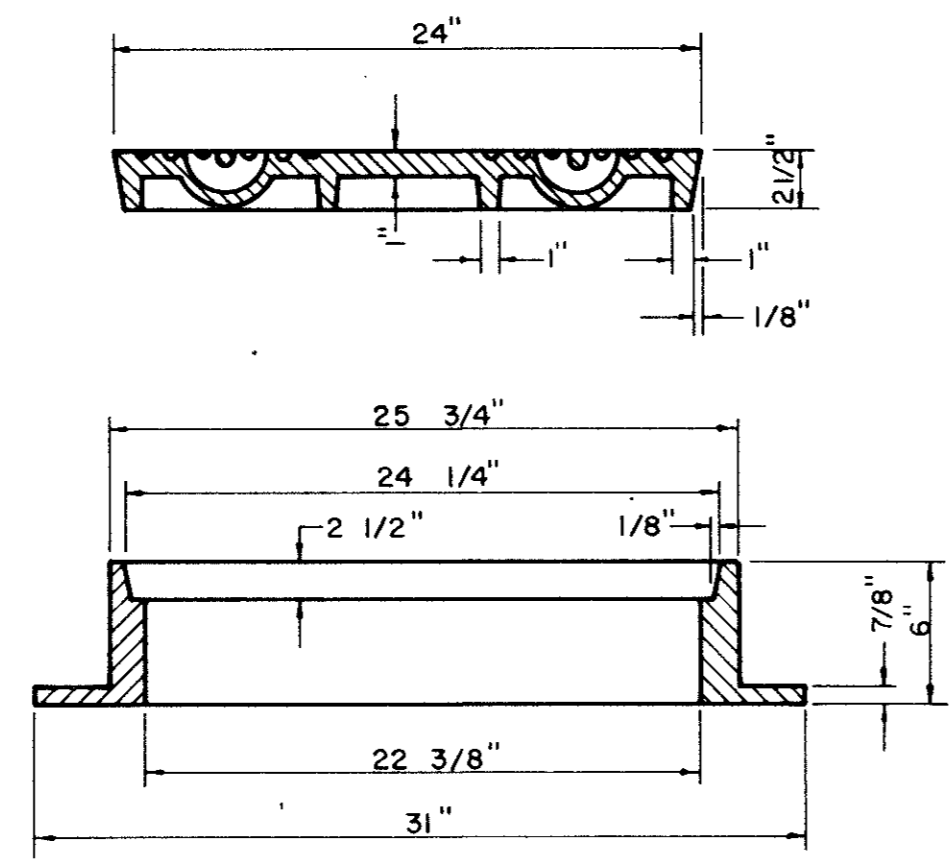


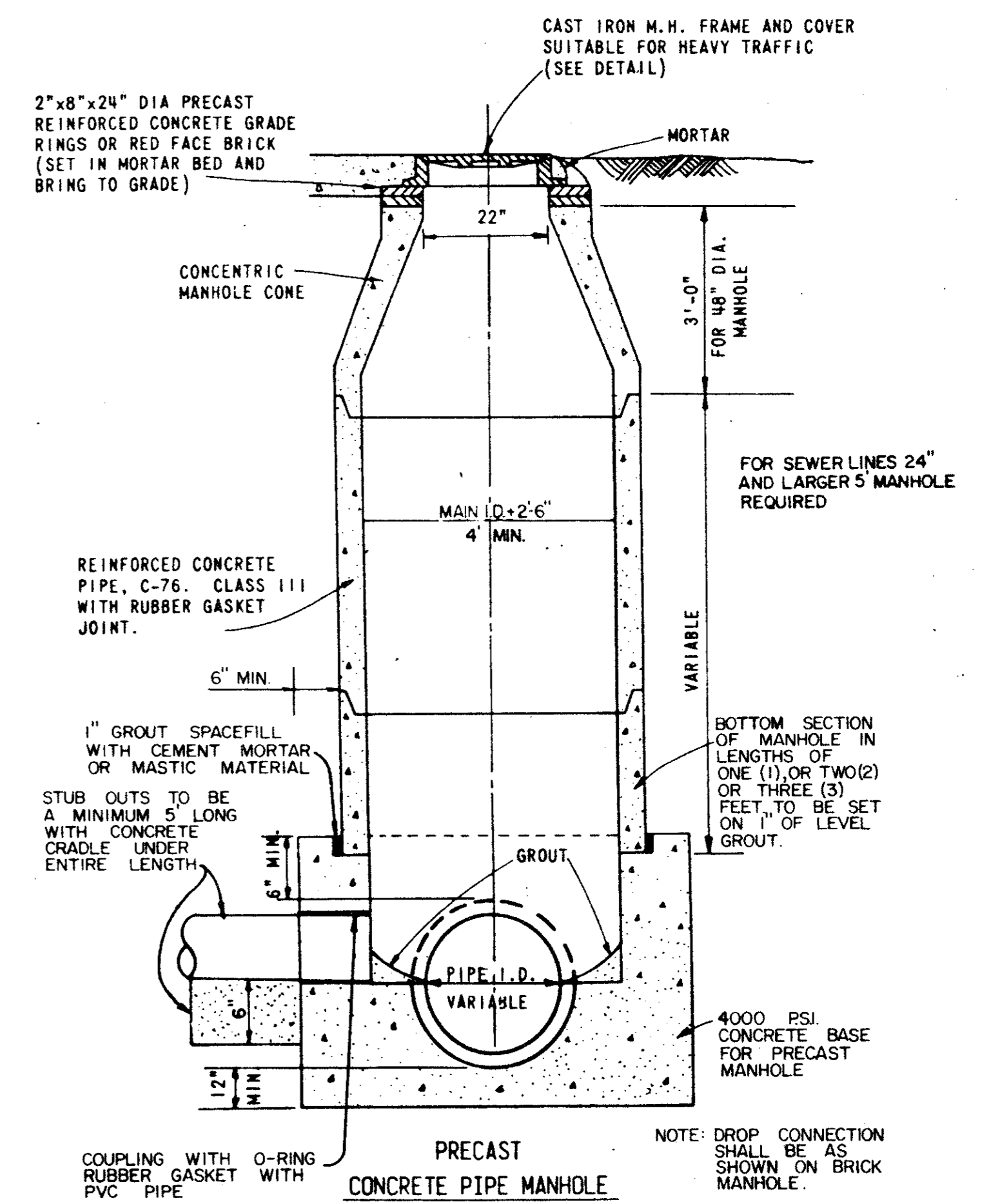
APPROX. WEIGHT RING AND COVER 385 LBS.

CAST IRON GRATE AND FRAME DETAIL

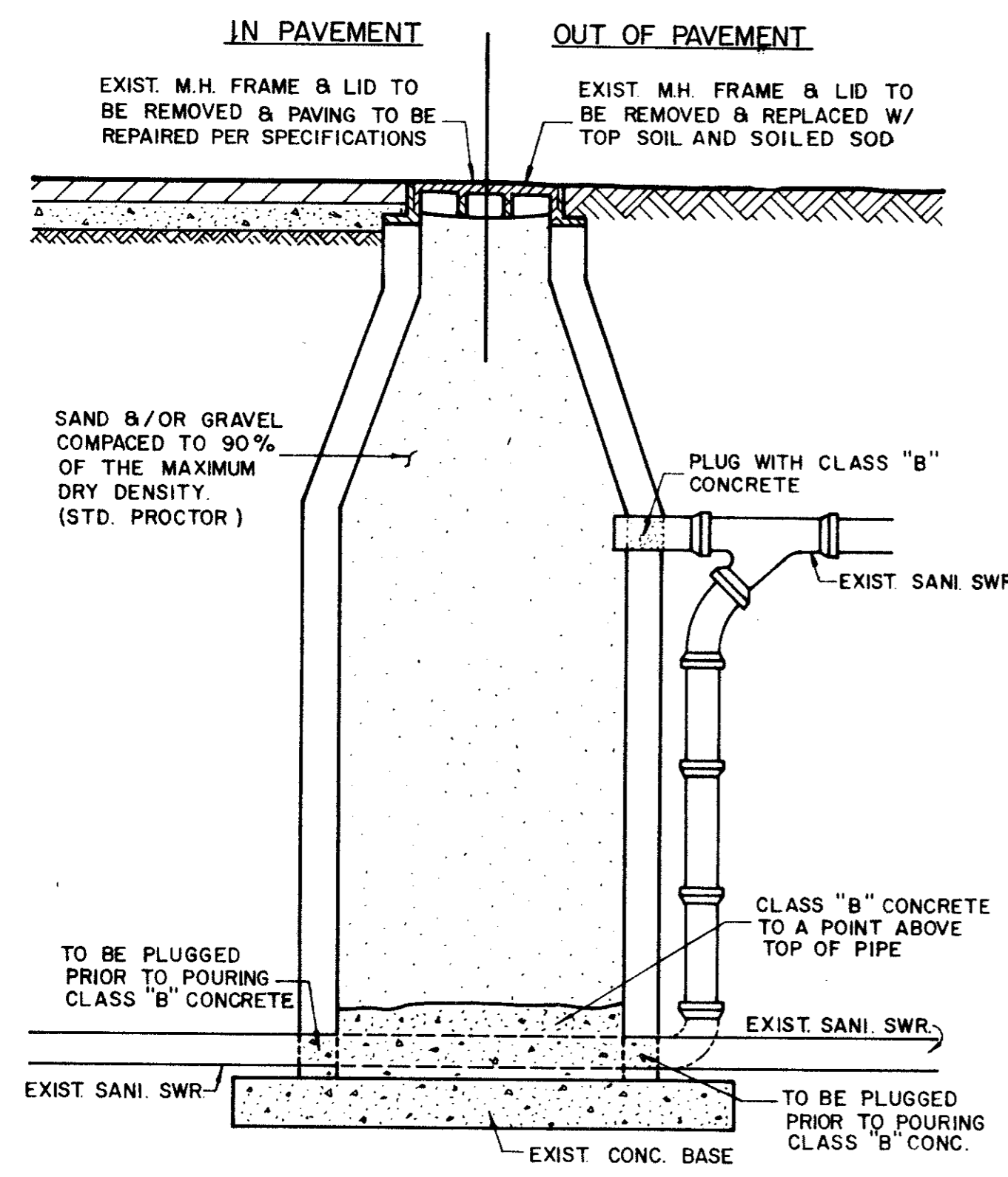


CAST IN PLACE MANHOLE

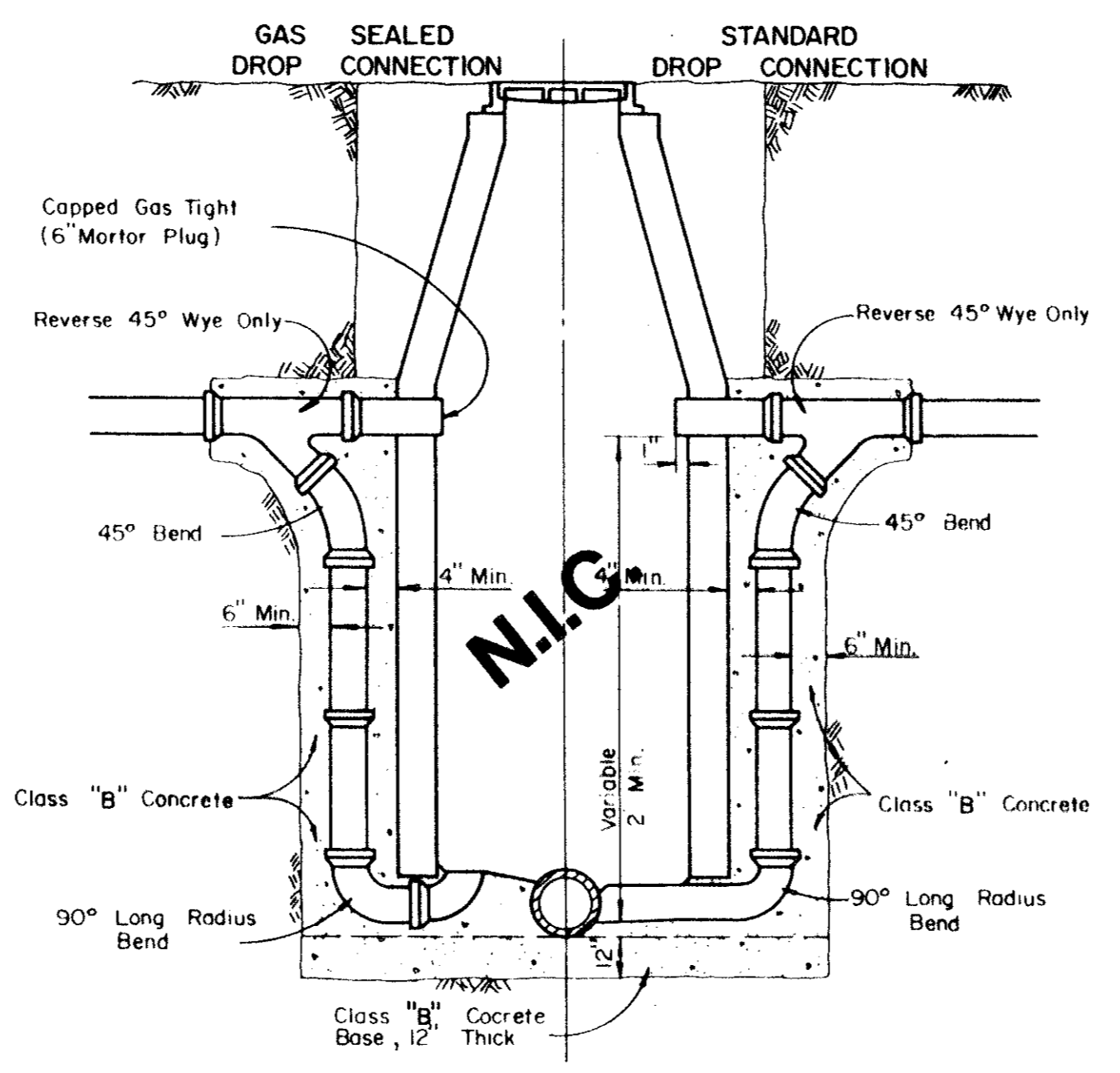
WHERE DROP M.H. IS REQUIRED, USE INSIDE DROP CONNECTION AS PER TOWN OF ADDISON STANDARDS.



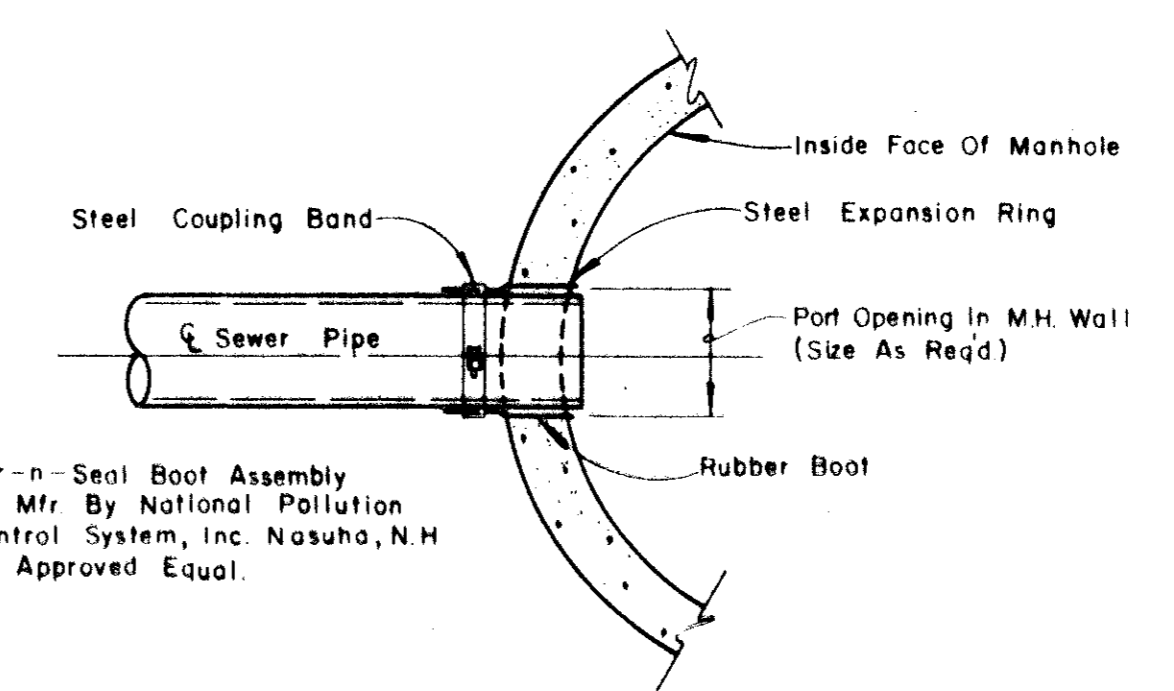
PRECAST MANHOLE



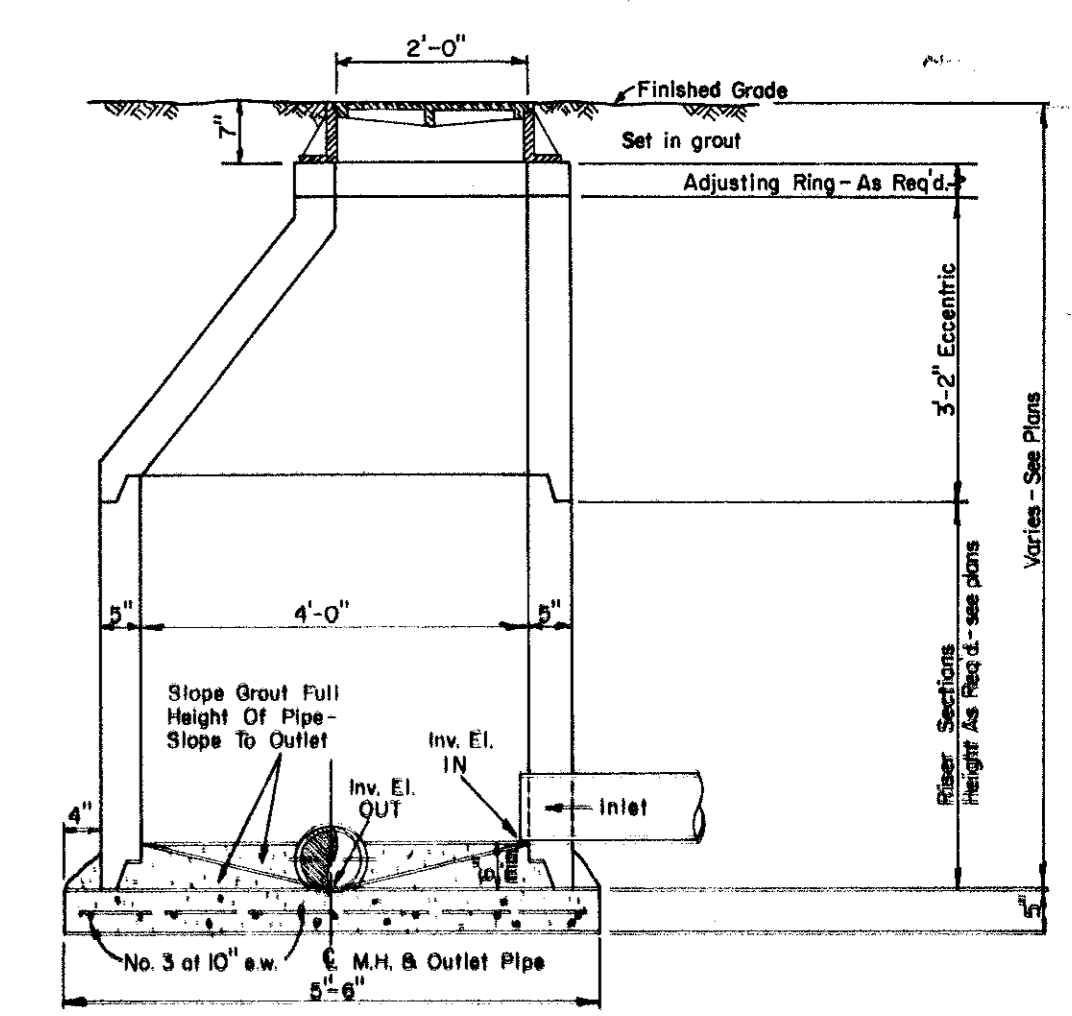
ABANDONMENT OF EXISTING MANHOLE IN AND OUT OF PAVEMENT



DROP CONNECTIONS FOR SANITARY SEWER MANHOLES

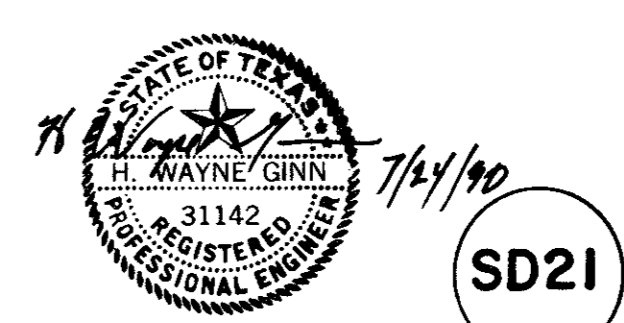


TYPICAL SEWER CONNECTION AT MANHOLE



ECCENTRIC MANHOLE DETAIL

CLASS B Conc. - 2000psi at 28 days (Compressive)



SD21

No.	Revision	By	Date
STANDARD CONSTRUCTION DETAILS SANITARY SEWER			
MANHOLES AND CONNECTIONS			
GINN, INC. Consulting Engineers Dallas, Texas			
Designed - GINN	Drawn - GINN	Date - June, 1990	Job No. - 90443
Approved - GINN	Checked - GINN	Scale - None	Sheet S9 of 10