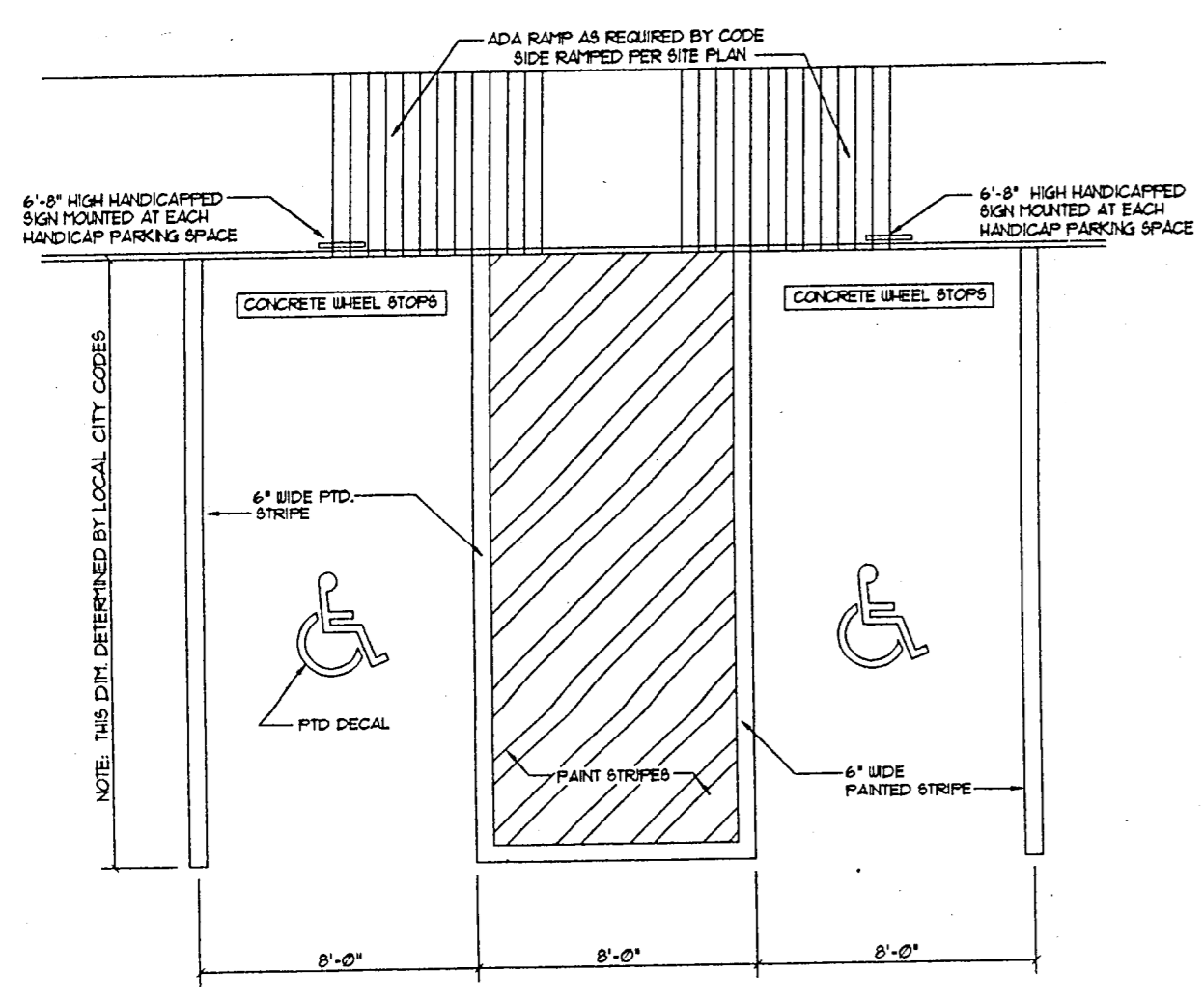
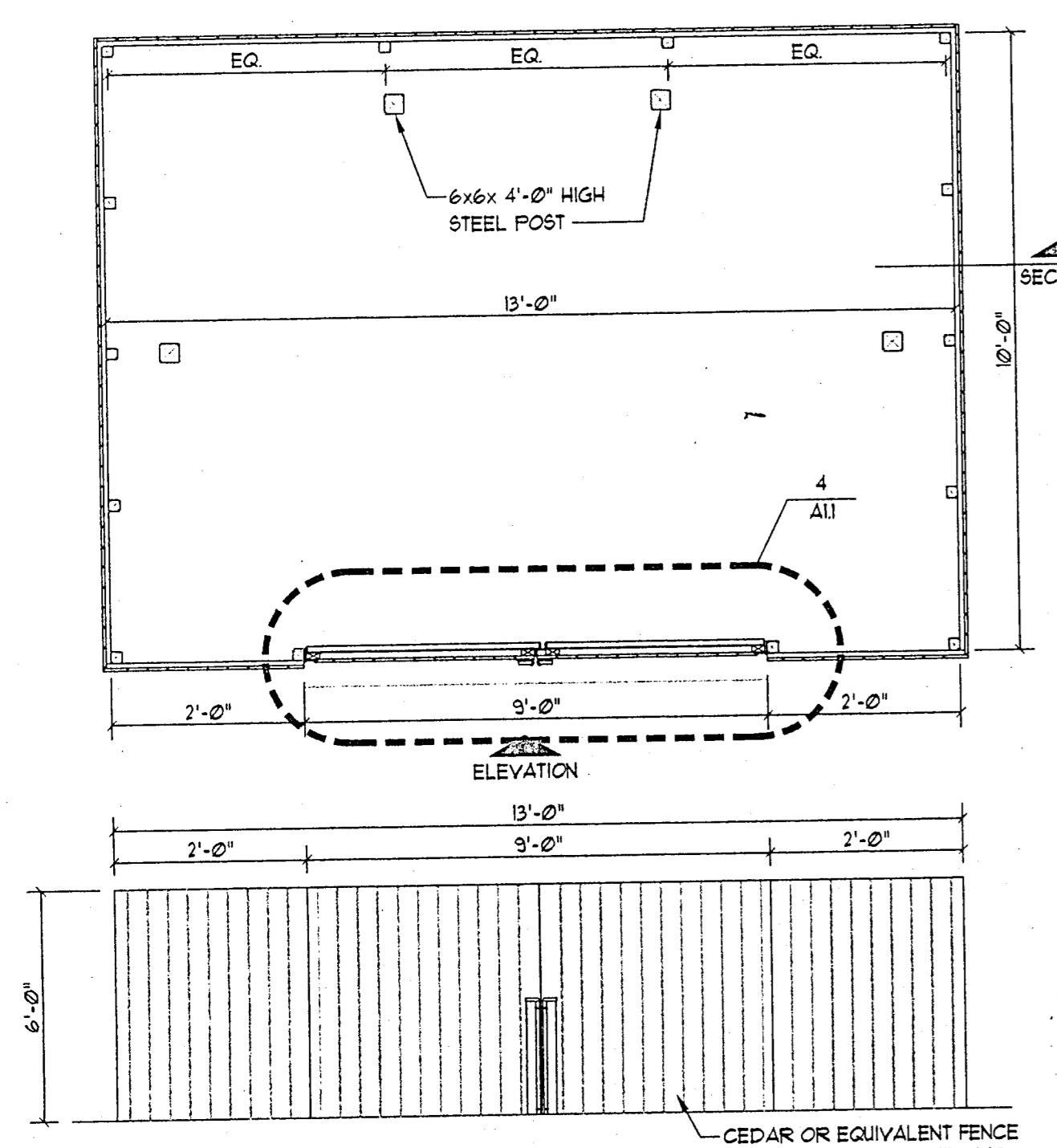


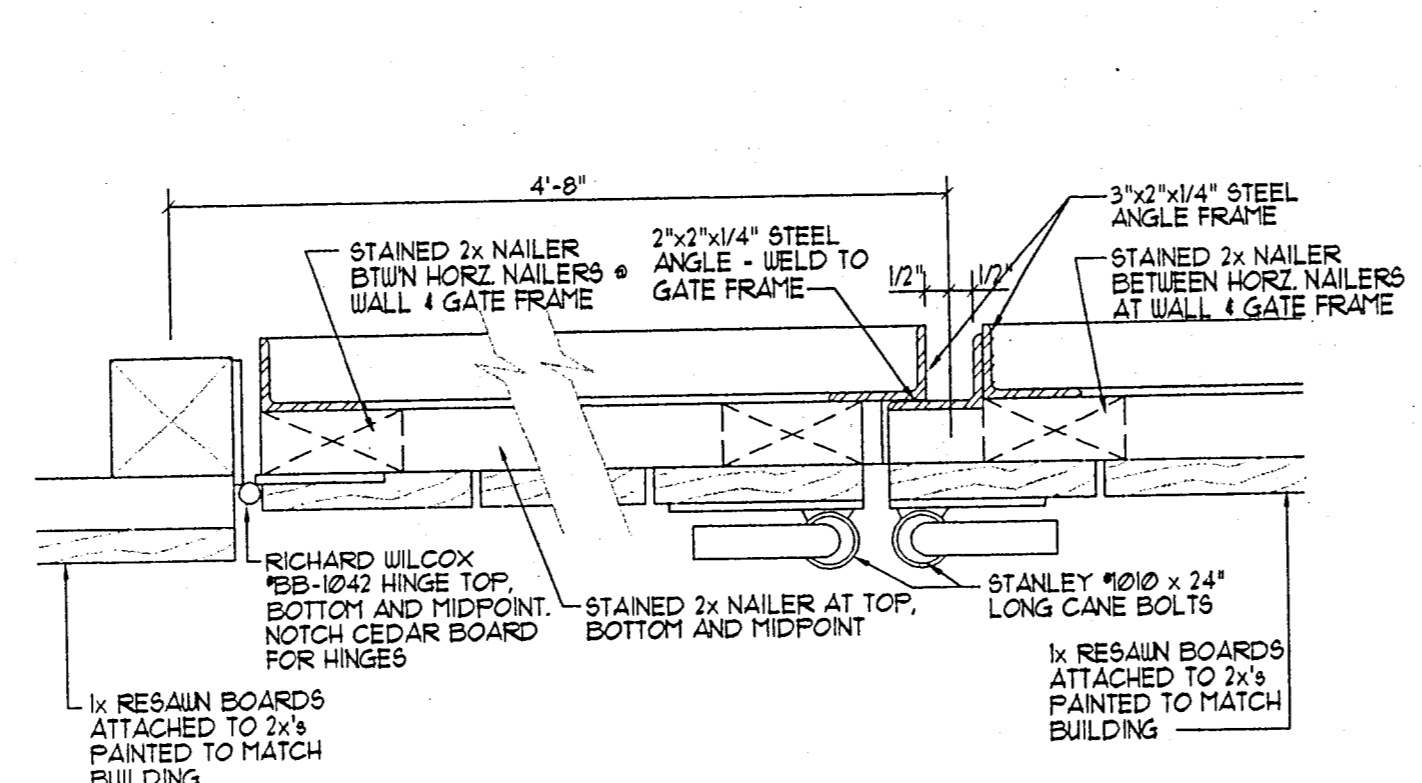
3 HANDICAP SIGN
SCALE: 1" = 1'-0"



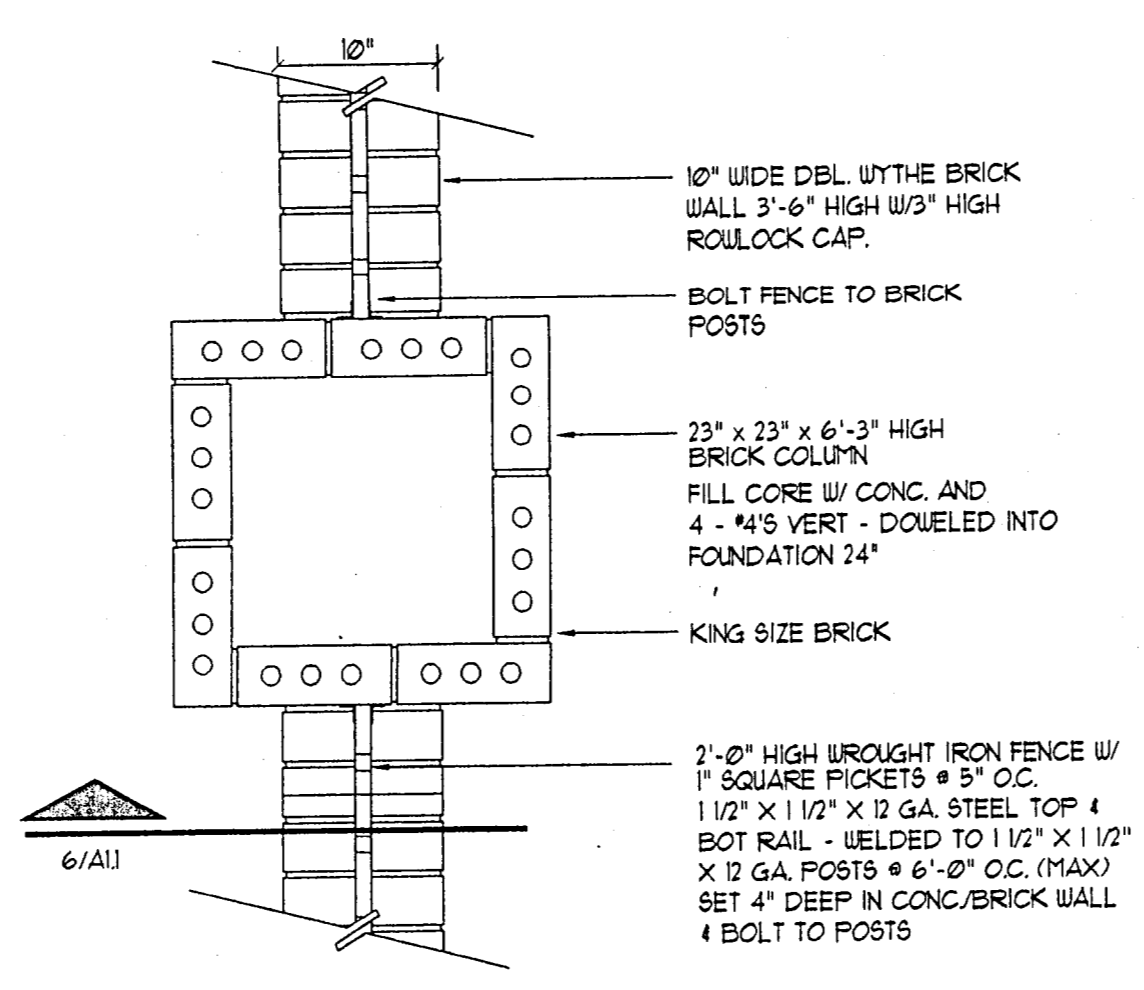
2 HANDICAP PARKING
SCALE: 1/4" = 1'-0"



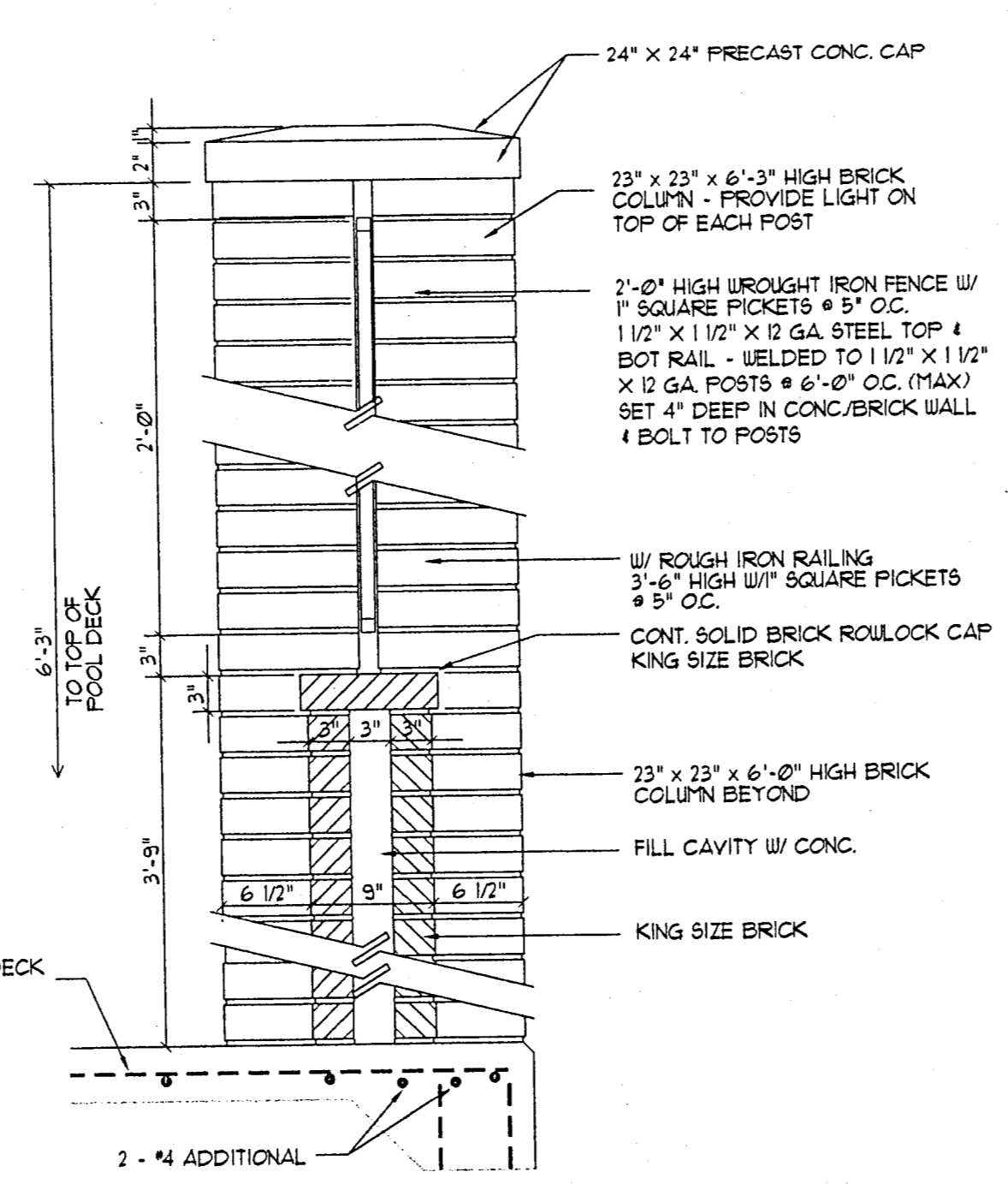
1 GATE @ TRASH ENCLOSURE
SCALE: 1/4" = 1'-0"



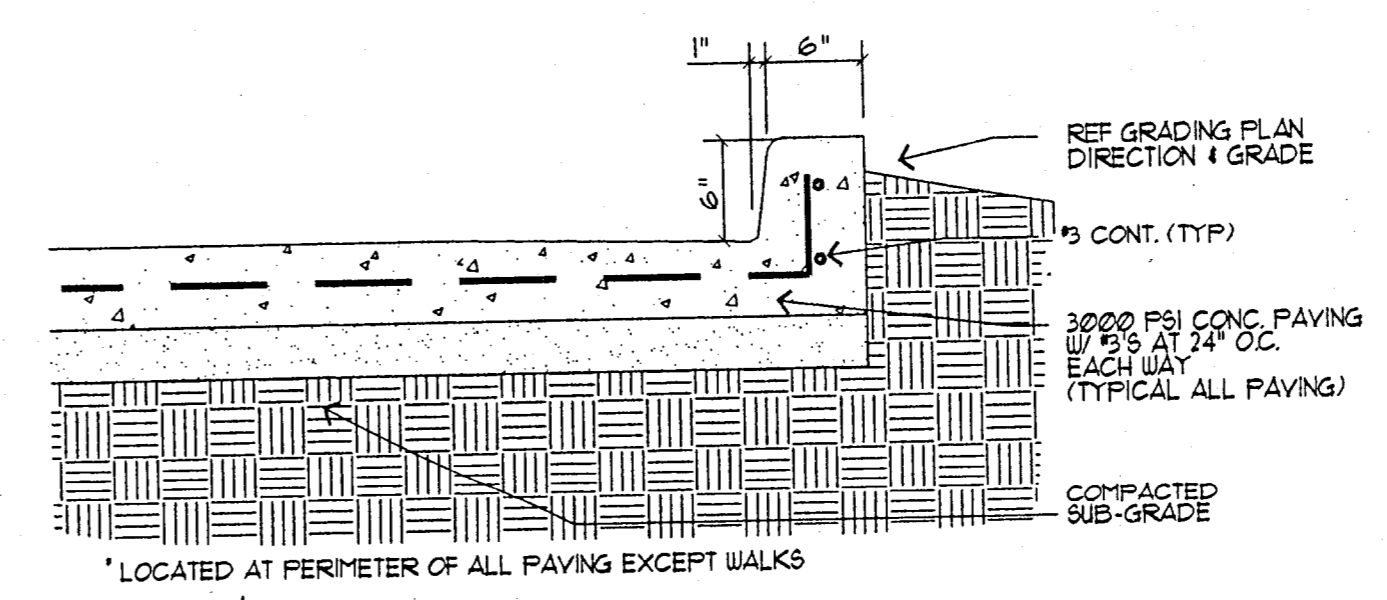
4 GATE DETAIL
SCALE: 3/4" = 1'-0"



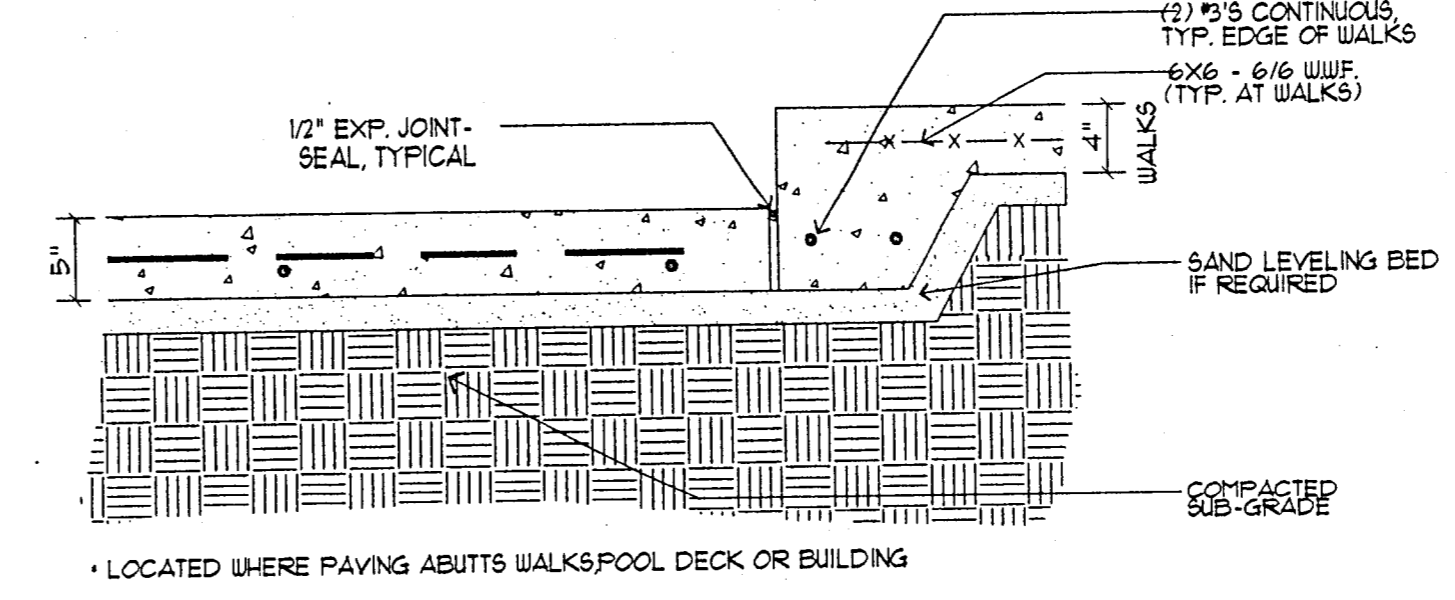
5 POOL DECK COL. PLAN
SCALE: 1" = 1'-0"



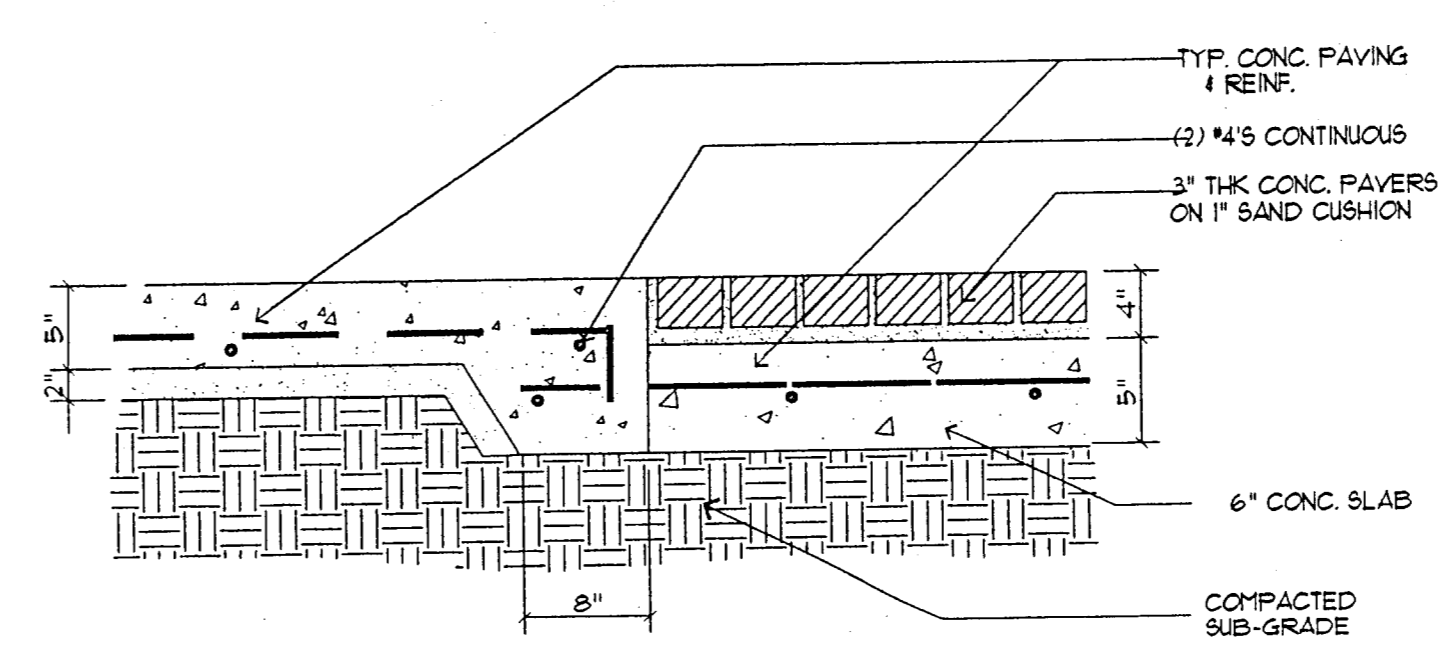
6 POOL FENCE DETAIL
SCALE: 1" = 1'-0"



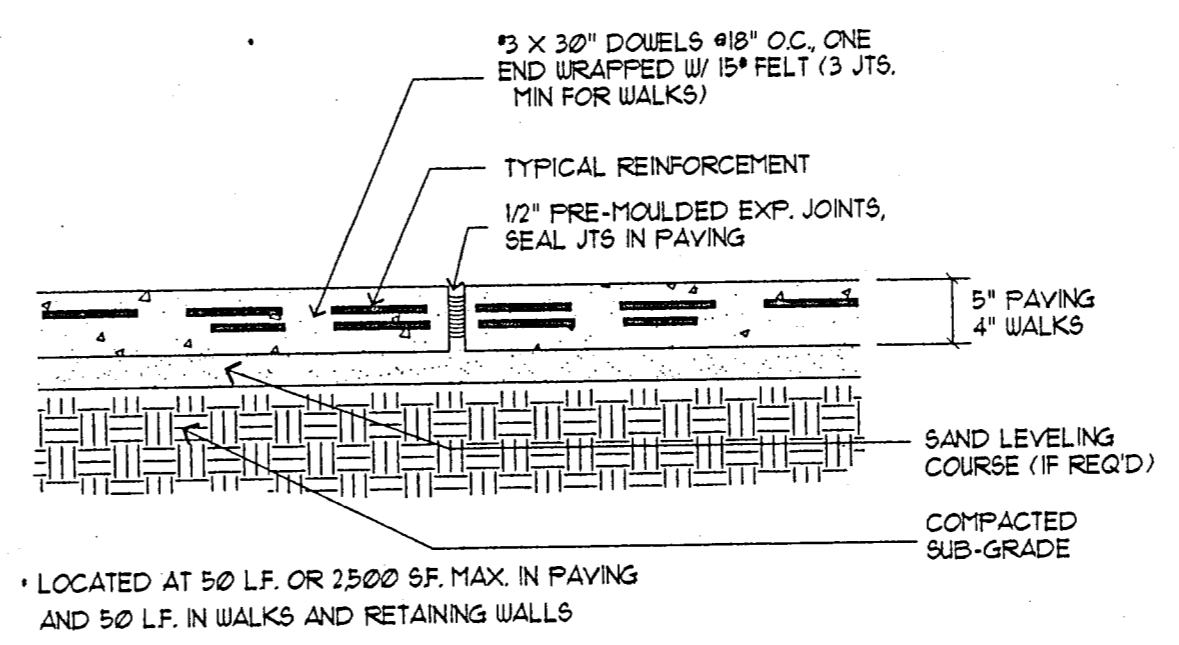
11 CURB & GUTTER
SCALE: 1" = 1'-0"



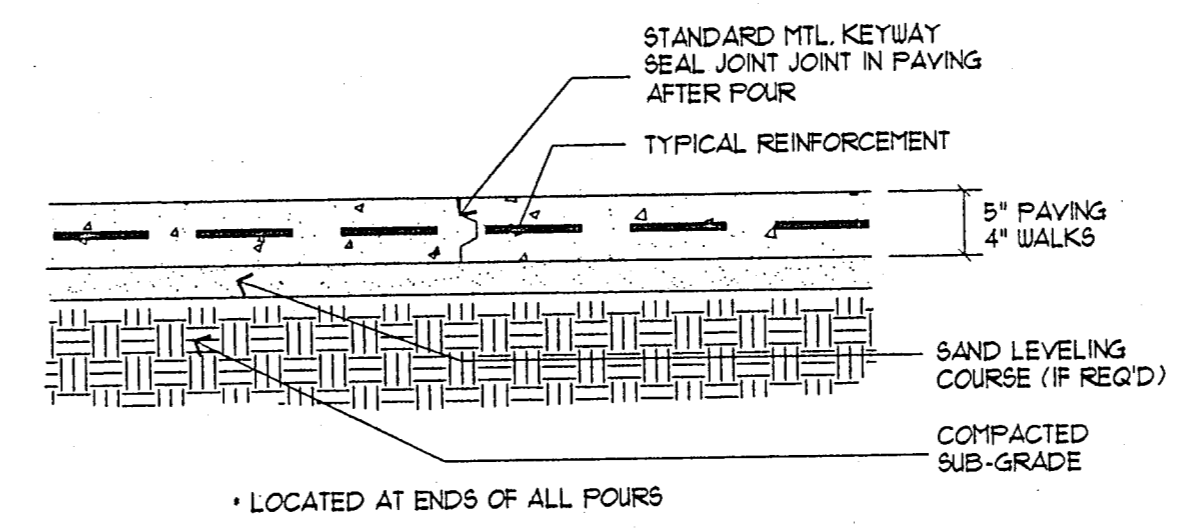
10 PAVING DETAIL
SCALE: 1" = 1'-0"



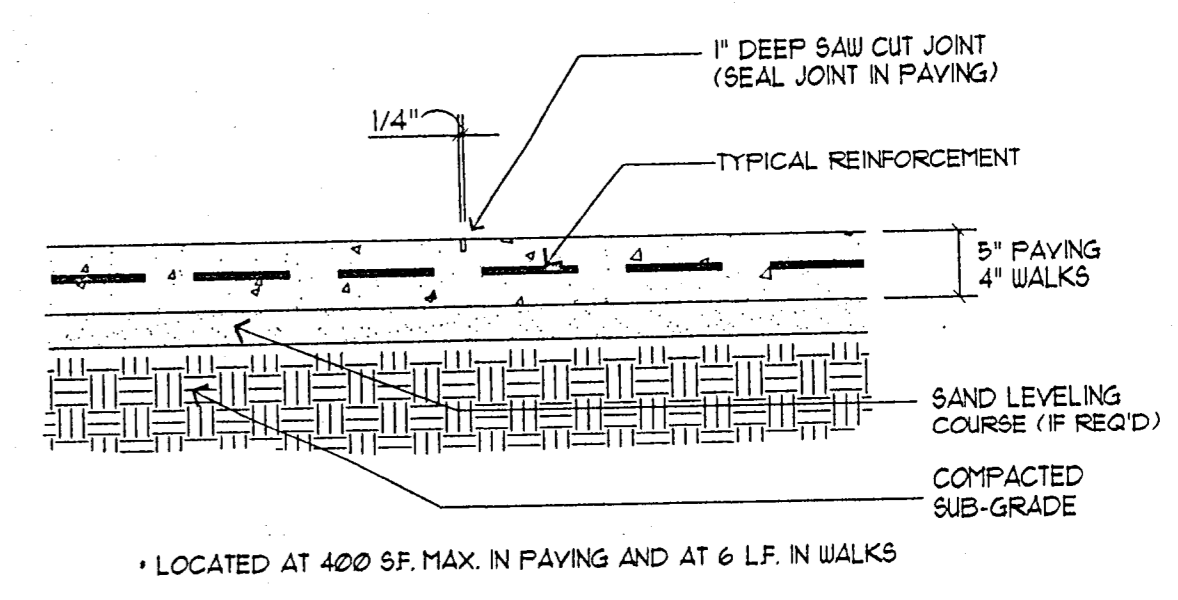
9 CONCRETE PAVERS
SCALE: 1" = 1'-0"



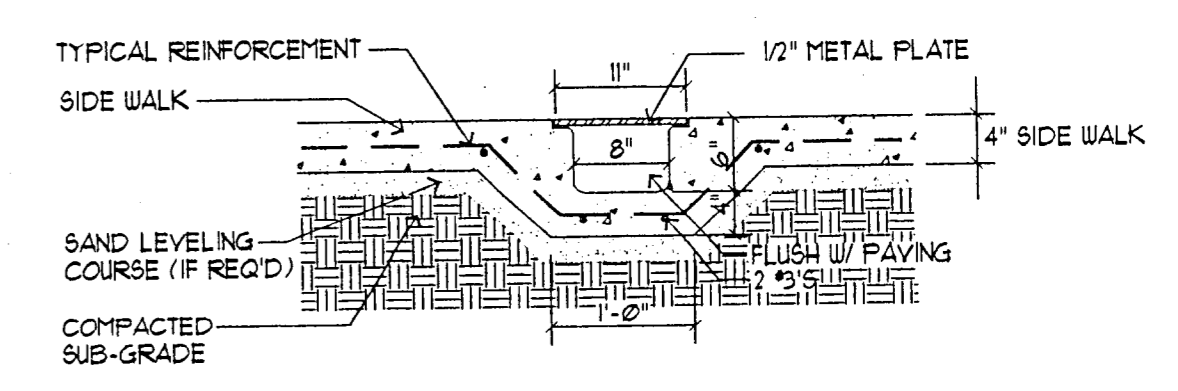
8 EXPANSION JOINTS
SCALE: 1" = 1'-0"



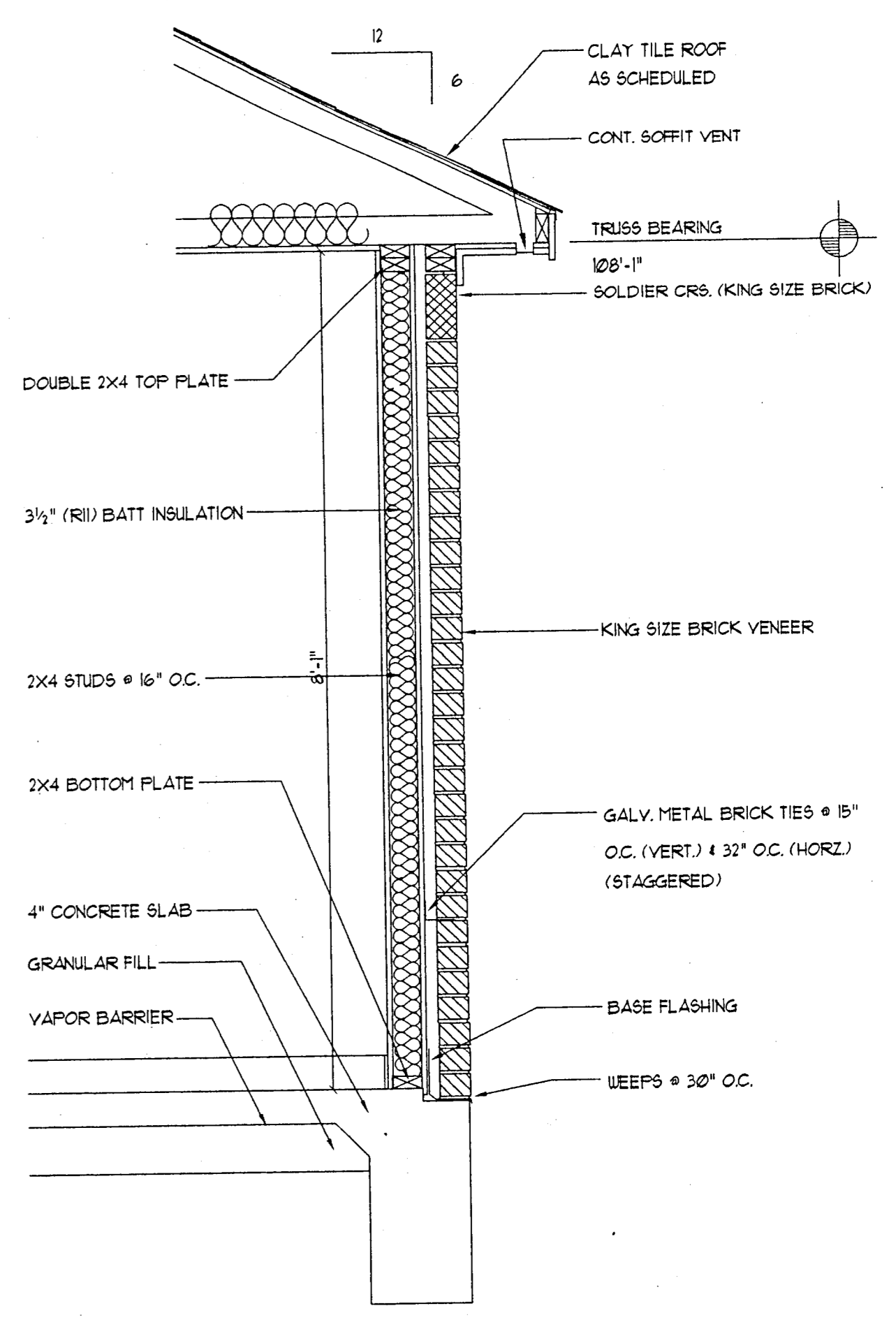
7 CONSTRUCTION JOINTS
SCALE: 1" = 1'-0"



12 CONTROL JOINTS
SCALE: 1" = 1'-0"



13 UNDERWALK DRAIN
SCALE: 1" = 1'-0"



14 SECT. @ POOL EQUIP. BLDG.
SCALE: 1/4" = 1'-0"