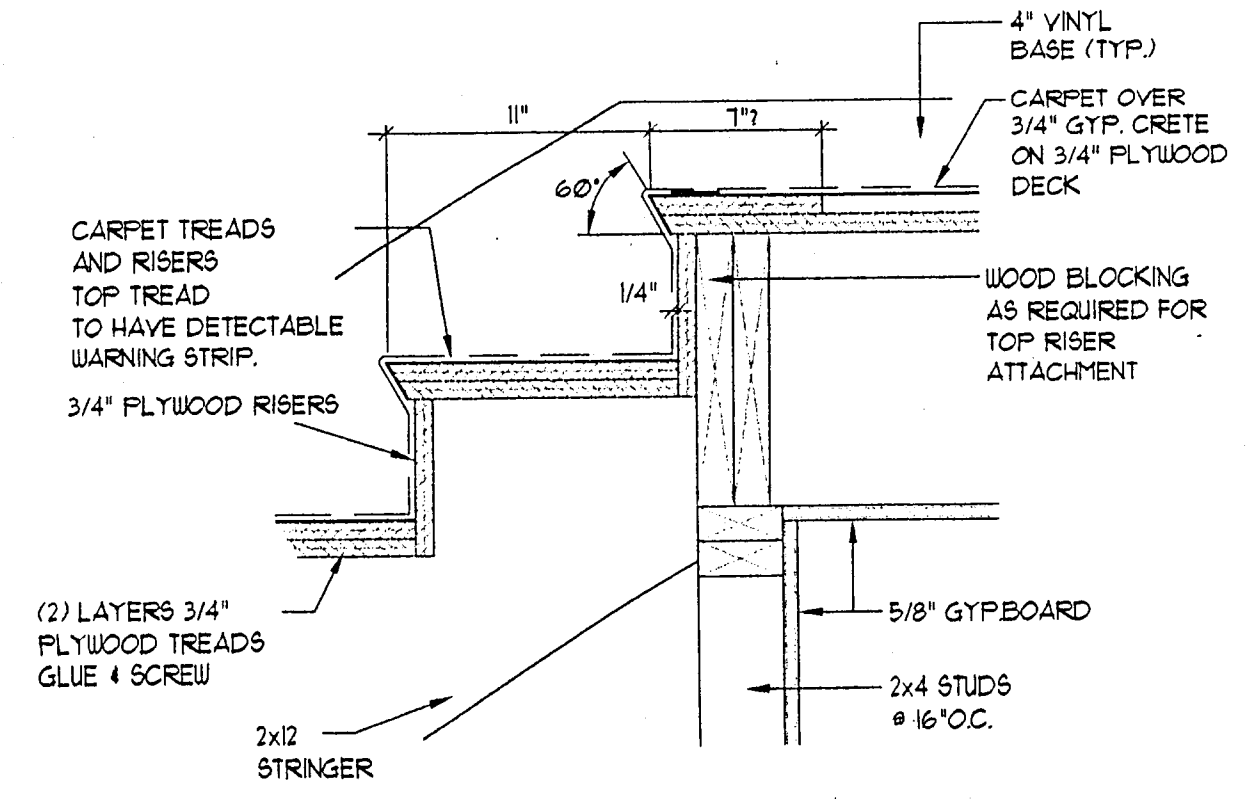
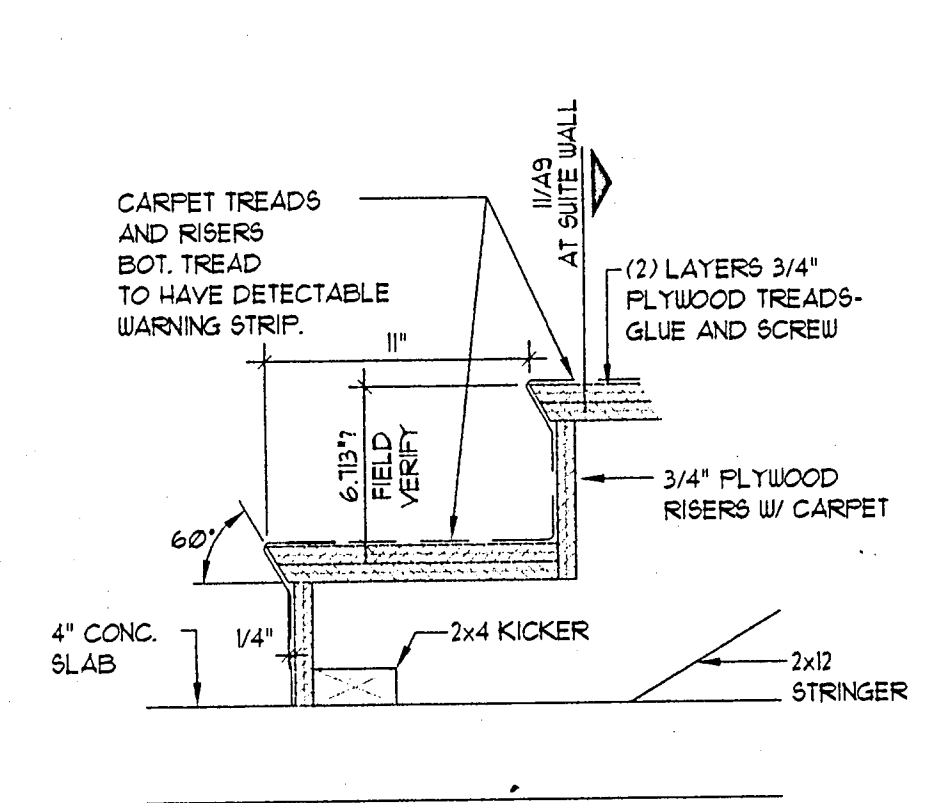


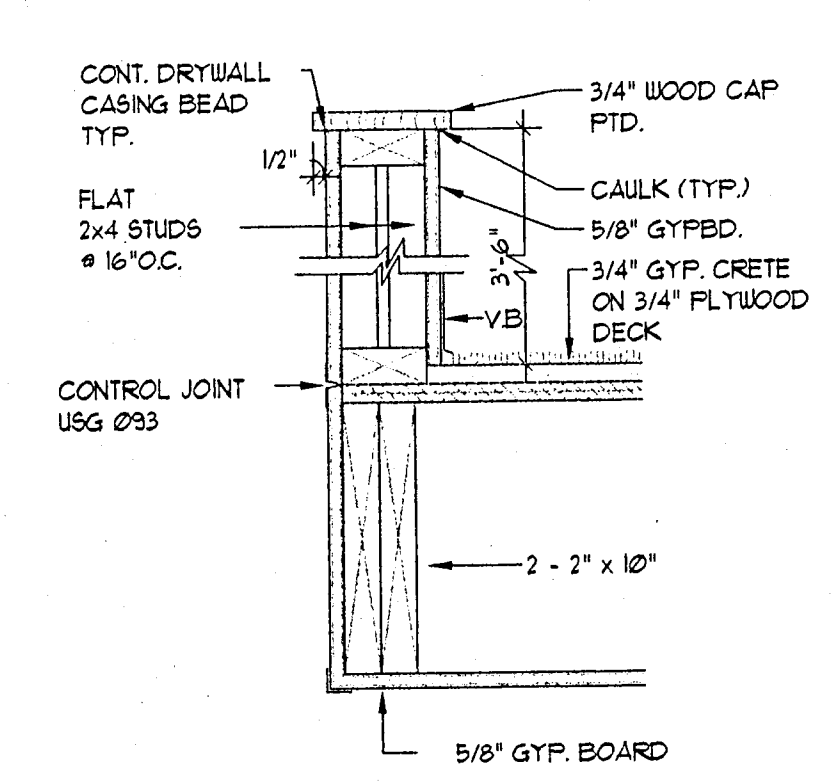
4 LANDING TO WALL
SCALE: 1/2" = 1'-0"



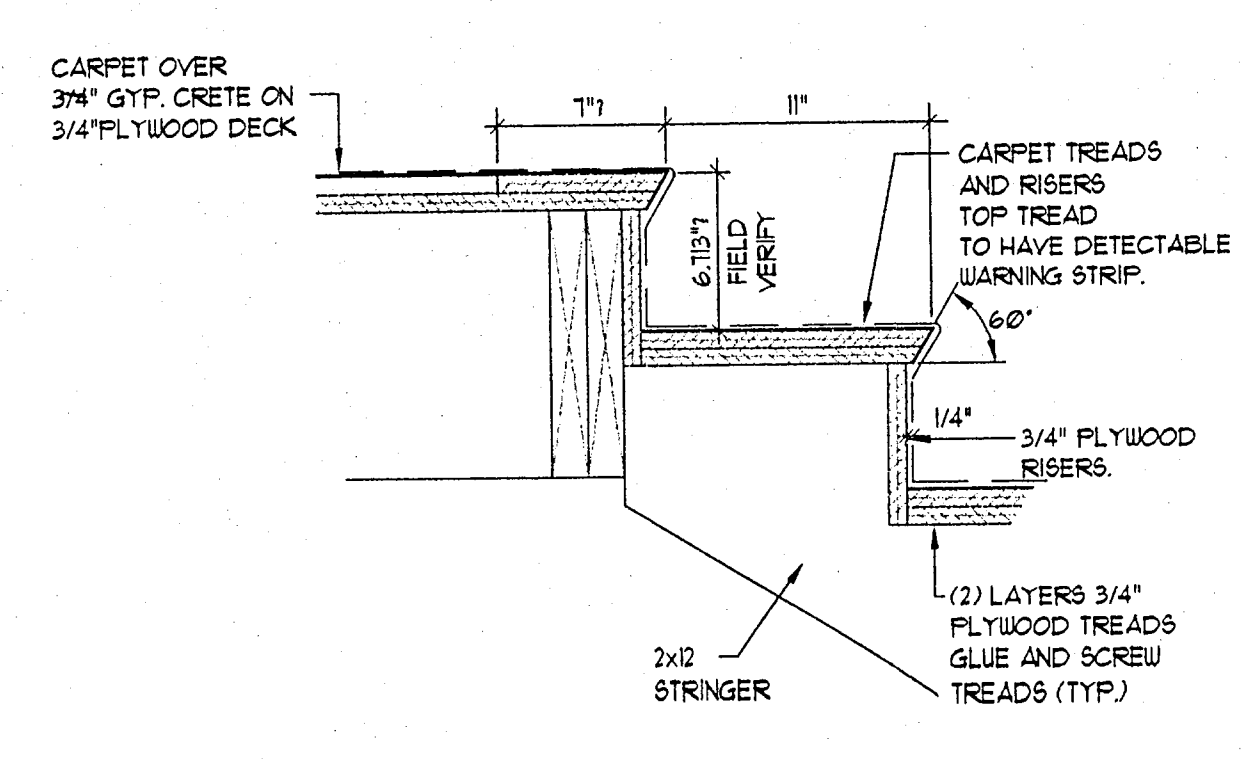
3 STAIR TO LANDING
SCALE: 1/2" = 1'-0"



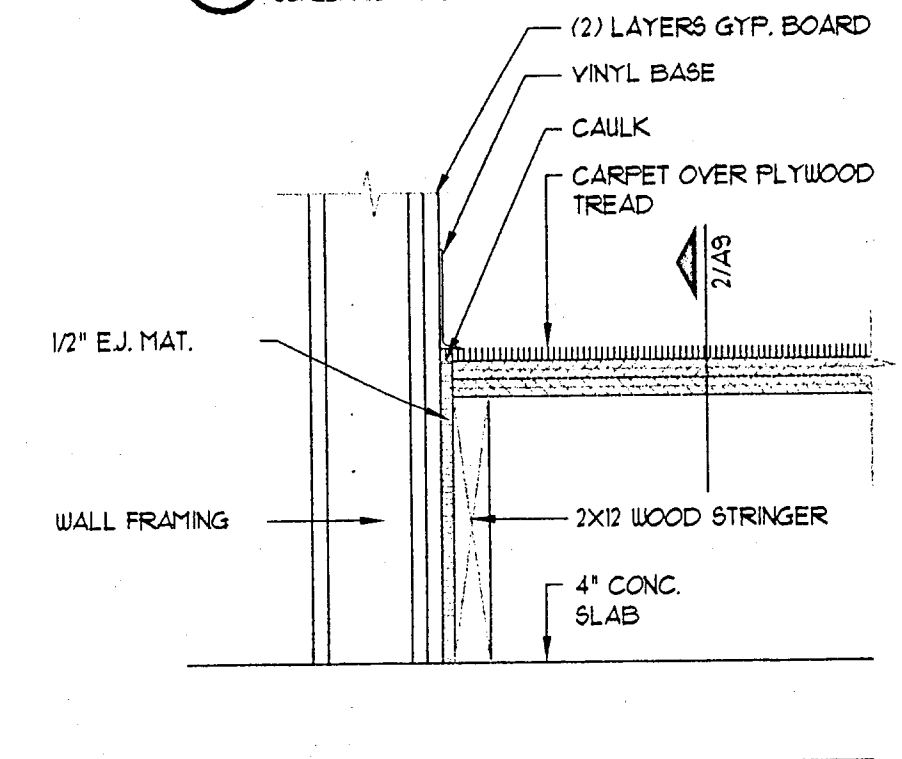
2 STAIR TO SLAB
SCALE: 1/2" = 1'-0"



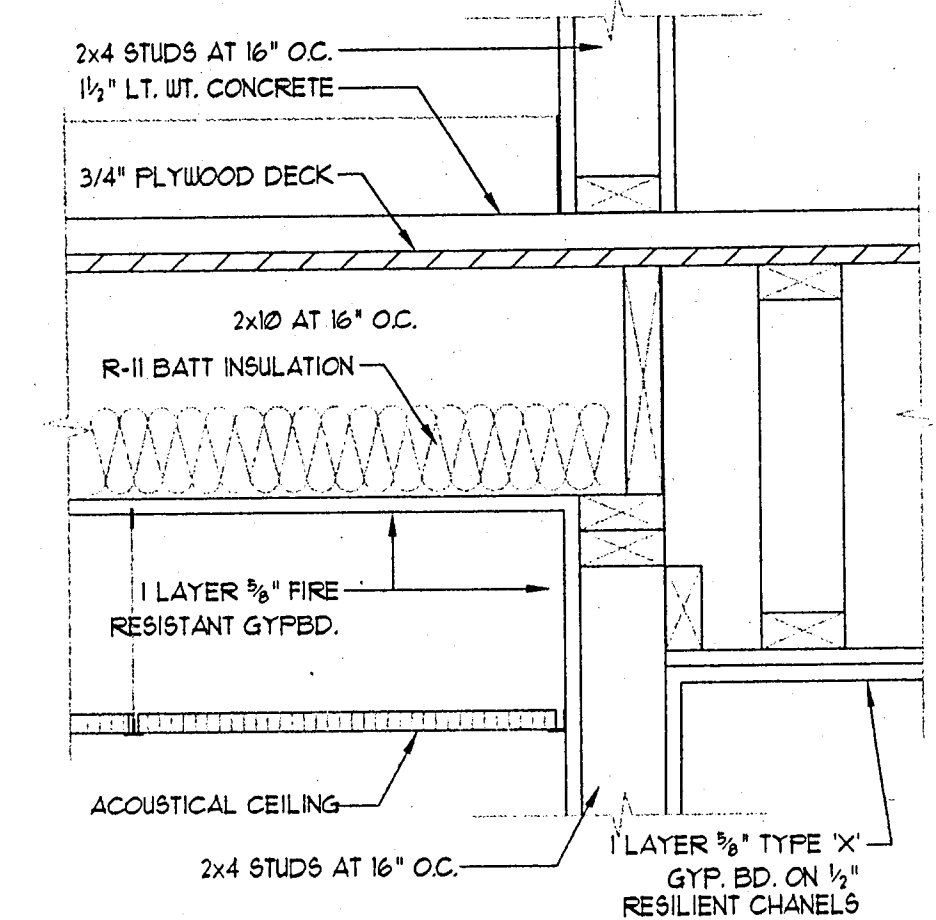
1 LANDING GUARDRAIL
SCALE: 1/2" = 1'-0"



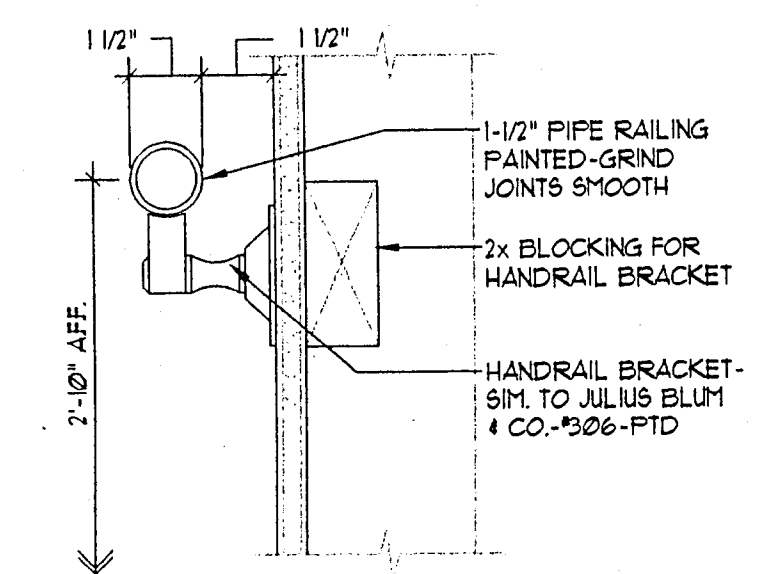
5 STAIR TO LANDING
SCALE: 1/2" = 1'-0"



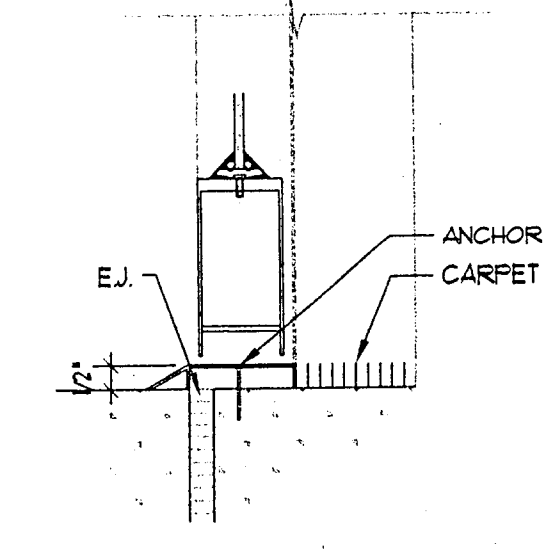
8 SECTION @ WALL/STAIR INTERSECTION
SCALE: 3/4" = 1'-0"



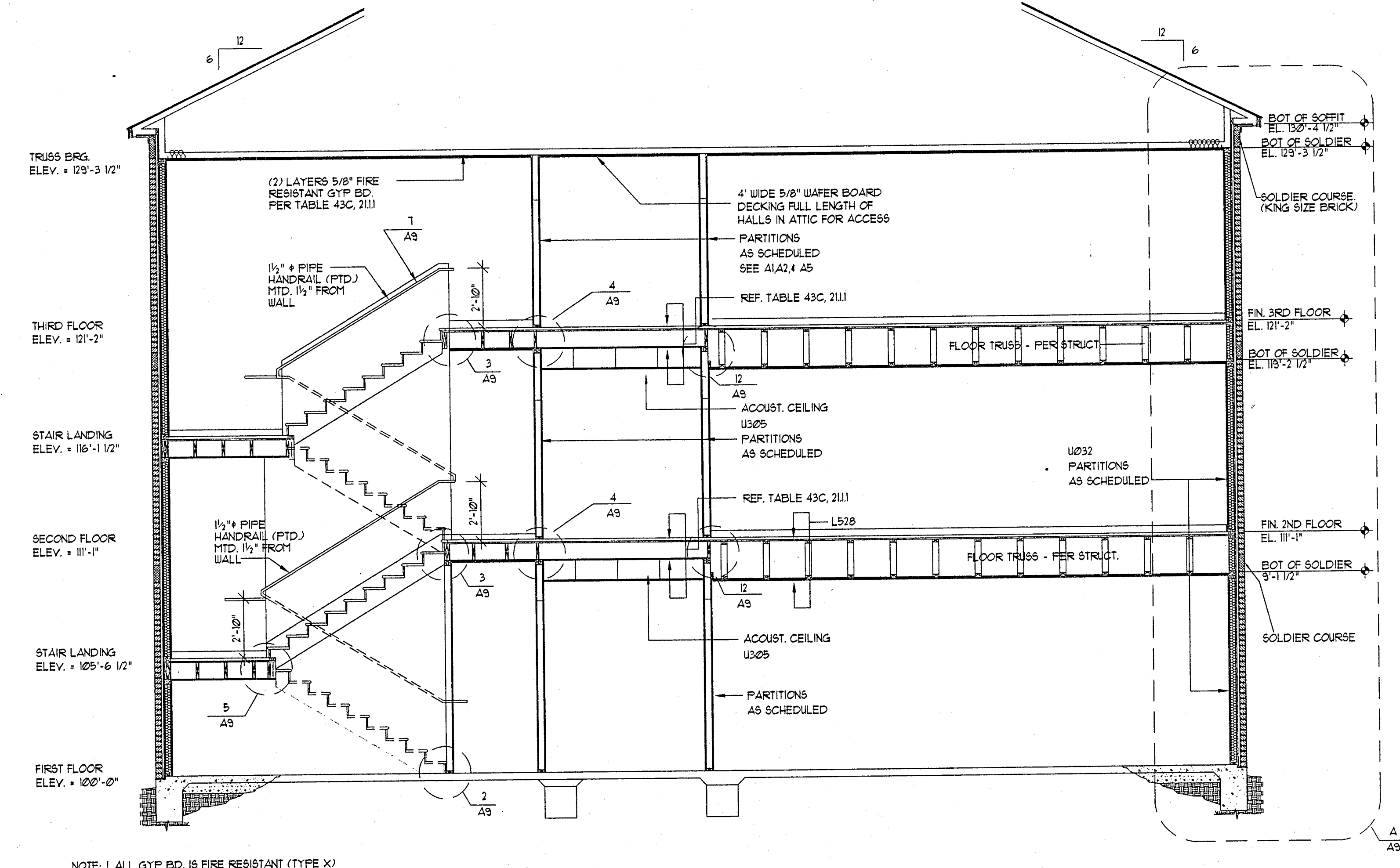
12 TYP. CORRIDOR CONNECTION
SCALE: 1/2" = 1'-0"



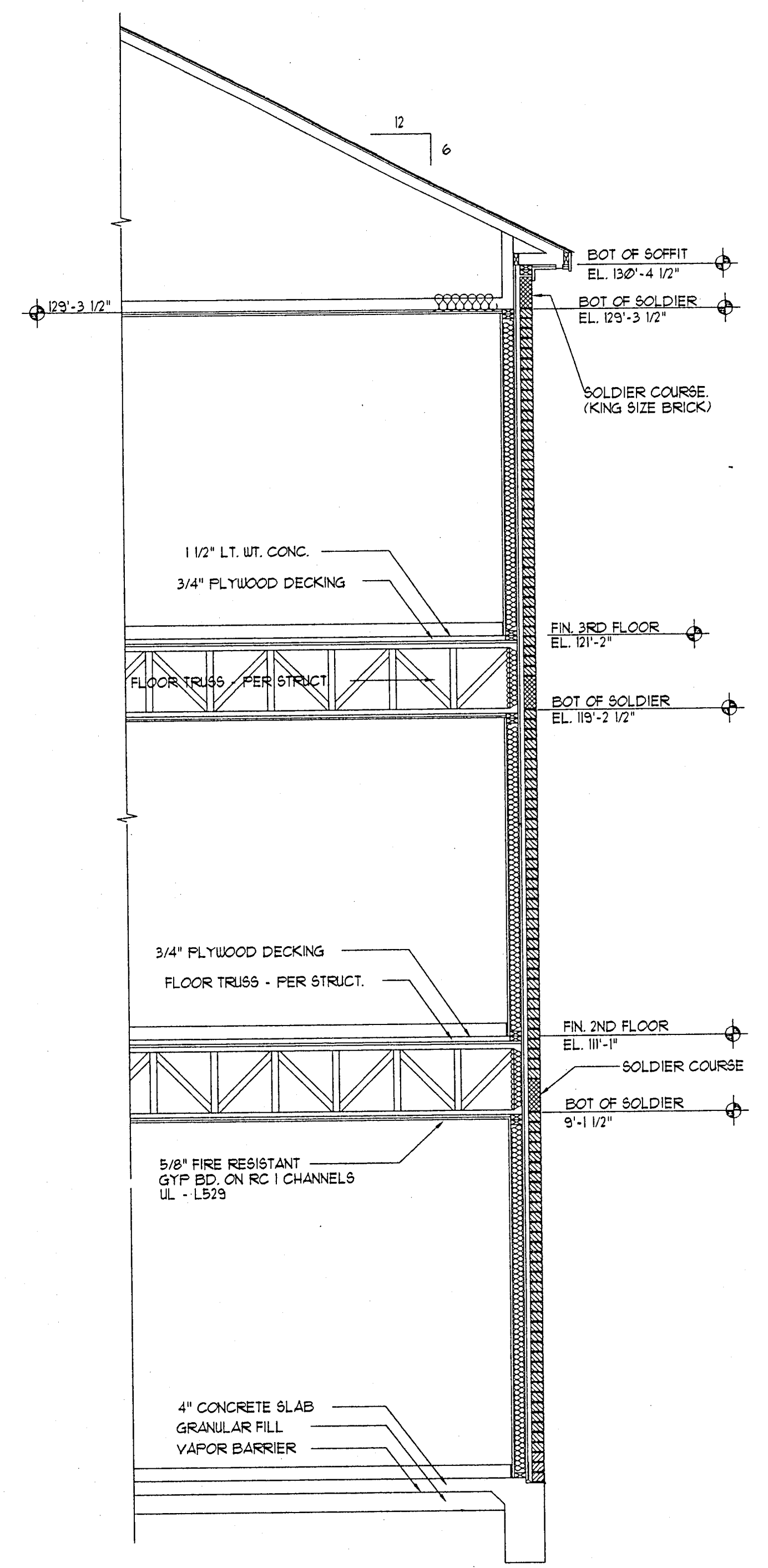
7 HANDRAIL
SCALE: 3/4" = 1'-0"



6 THRESHOLD
SCALE: 3/4" = 1'-0"



B SECTION - EXIT STAIR
SCALE: 1/4" = 1'-0"



A SECTION F @ END WALL
SCALE: 3/8" = 1'-0"

