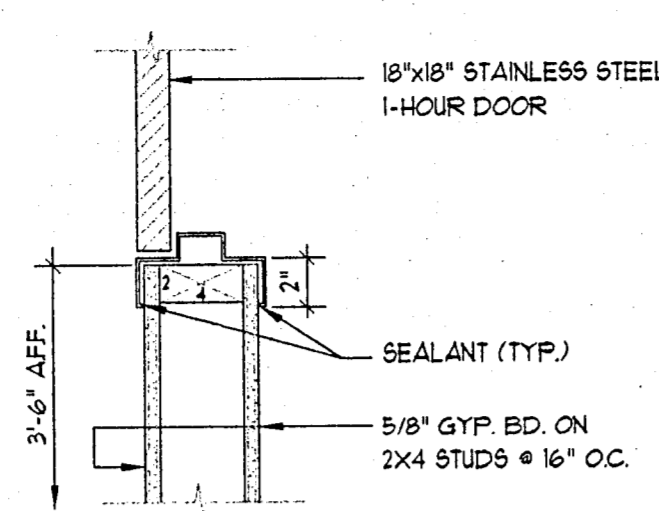
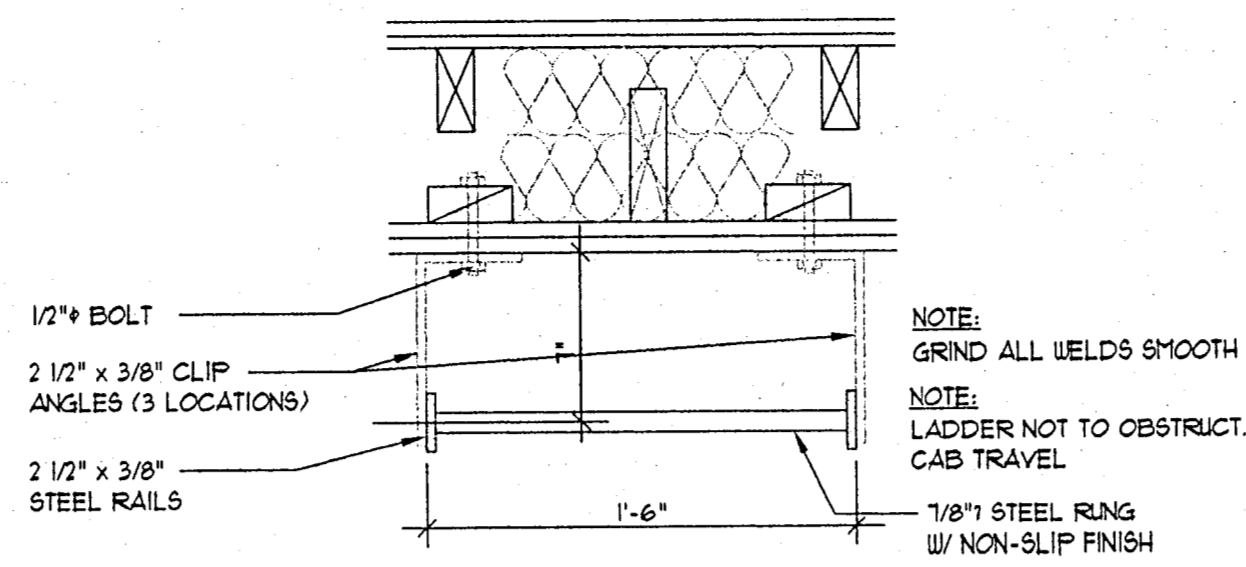


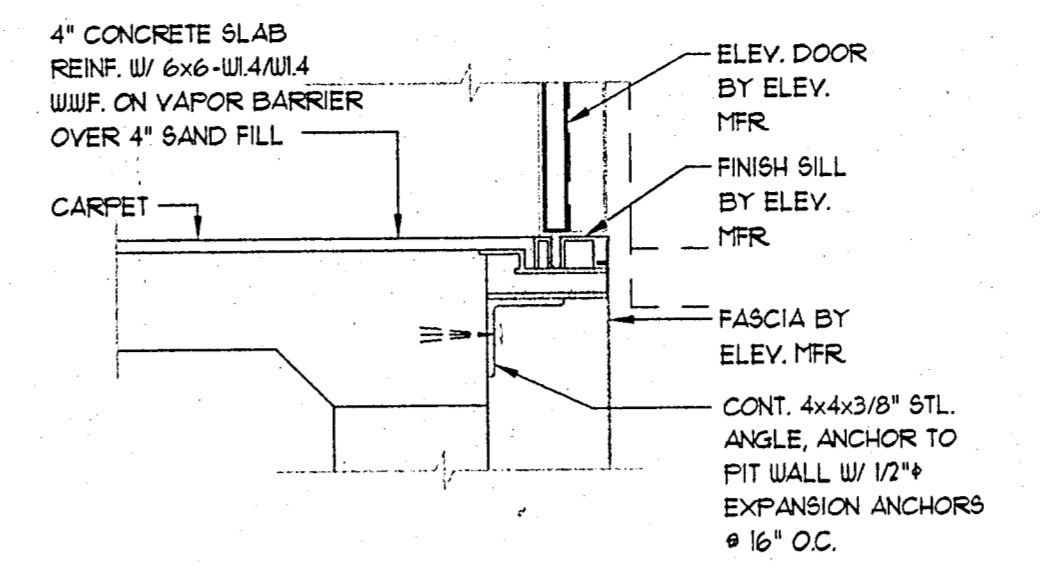
7 HEAD @ CLOTHES DROP
SCALE: 1/2" = 1'-0"



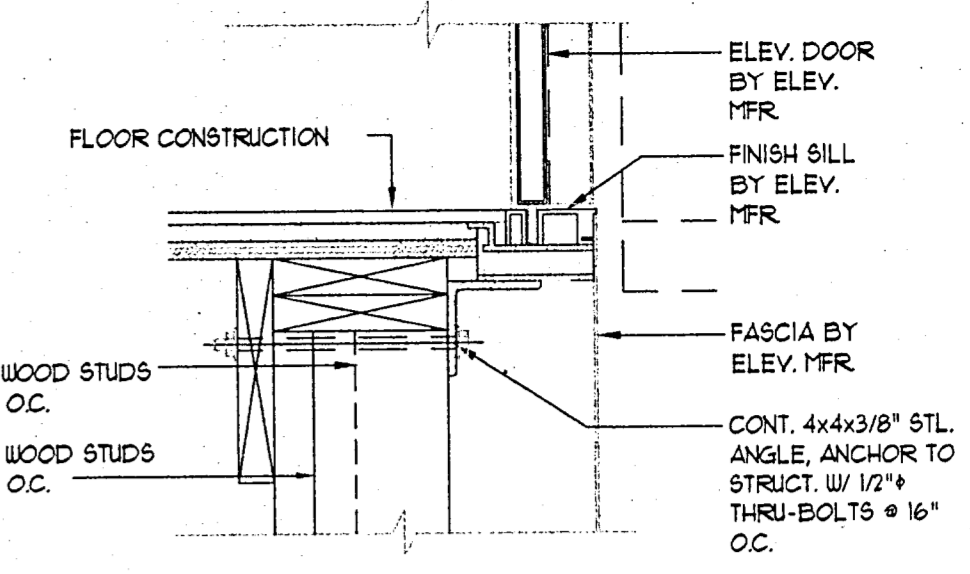
6 SILL @ CLOTHES DROP
SCALE: 1/2" = 1'-0"



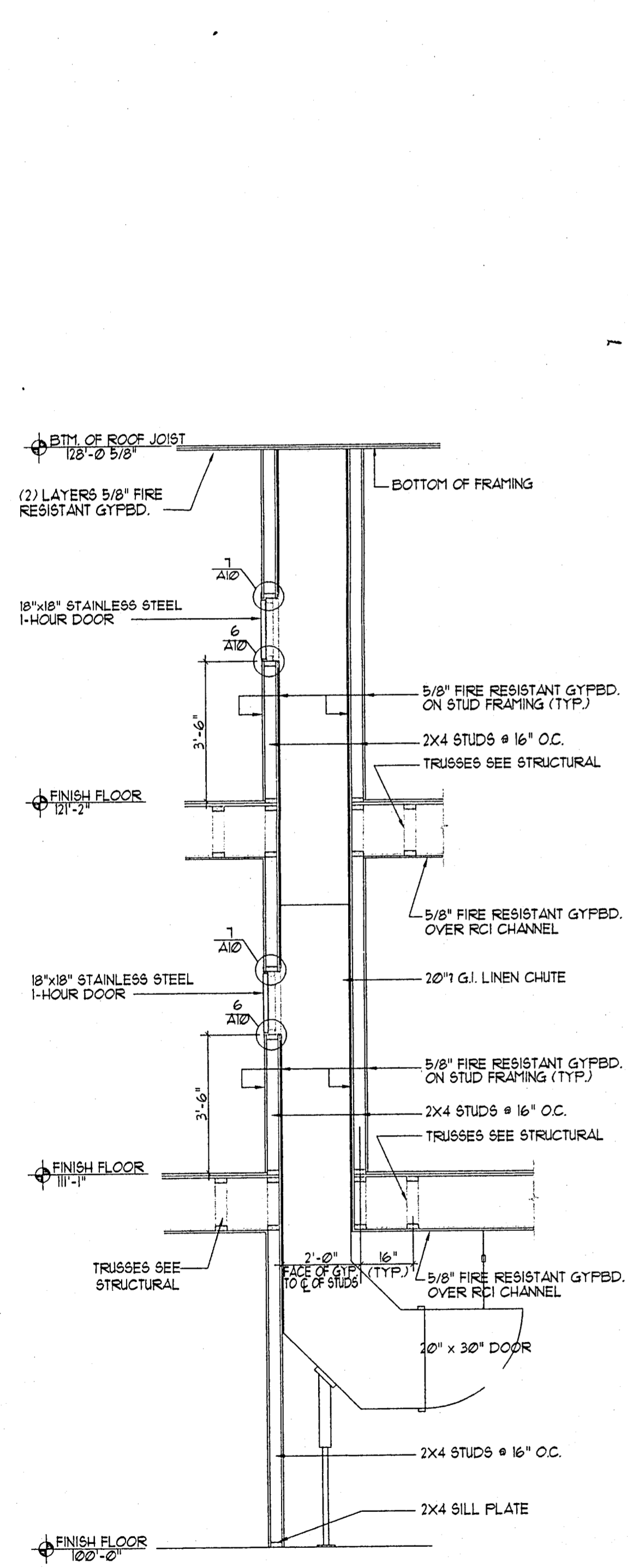
5 WALL LADDER
SCALE: 1/2" = 1'-0"



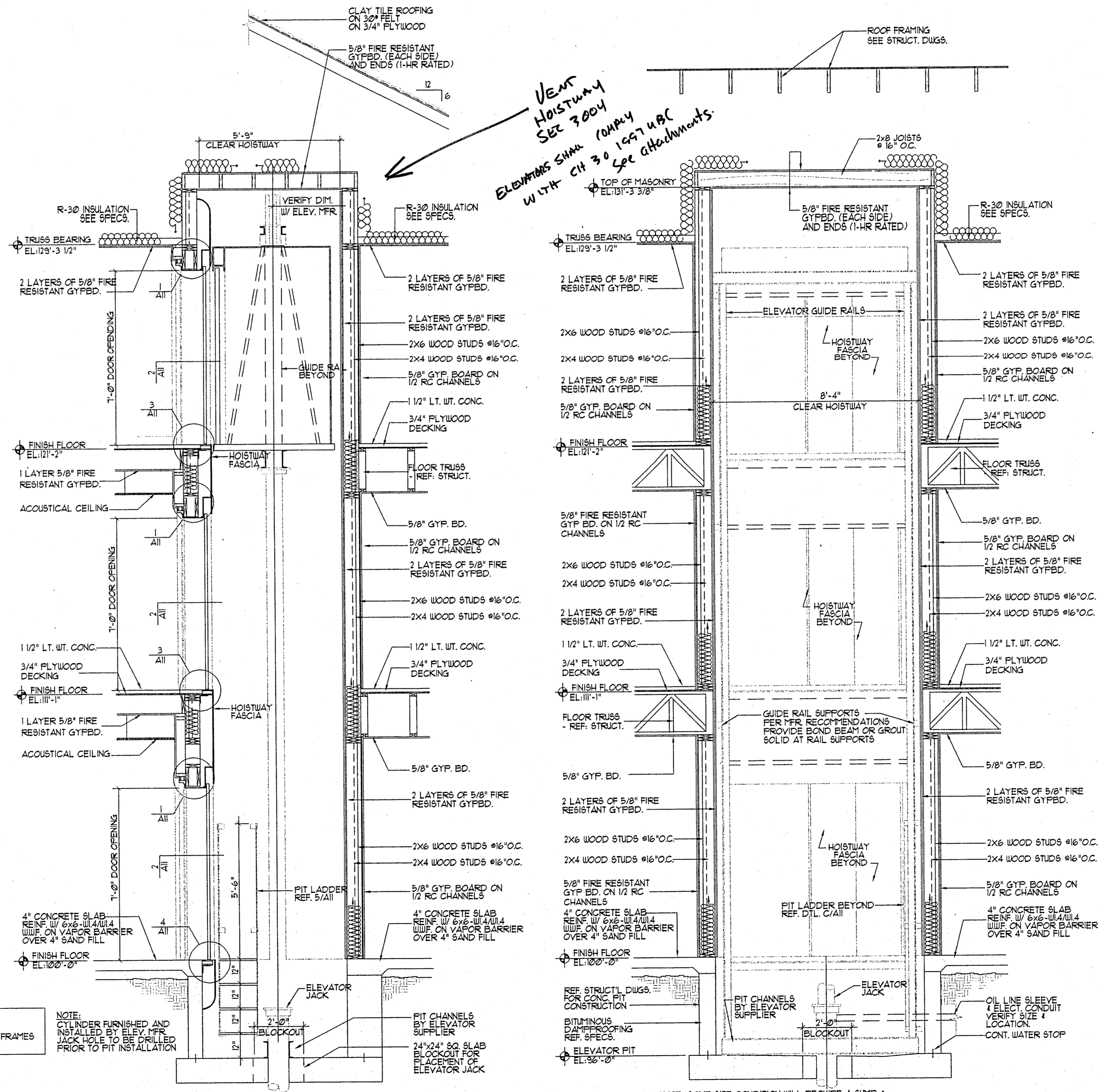
4 PASS. ELEV. SILL @ LOWER LEVEL
SCALE: 1/2" = 1'-0"



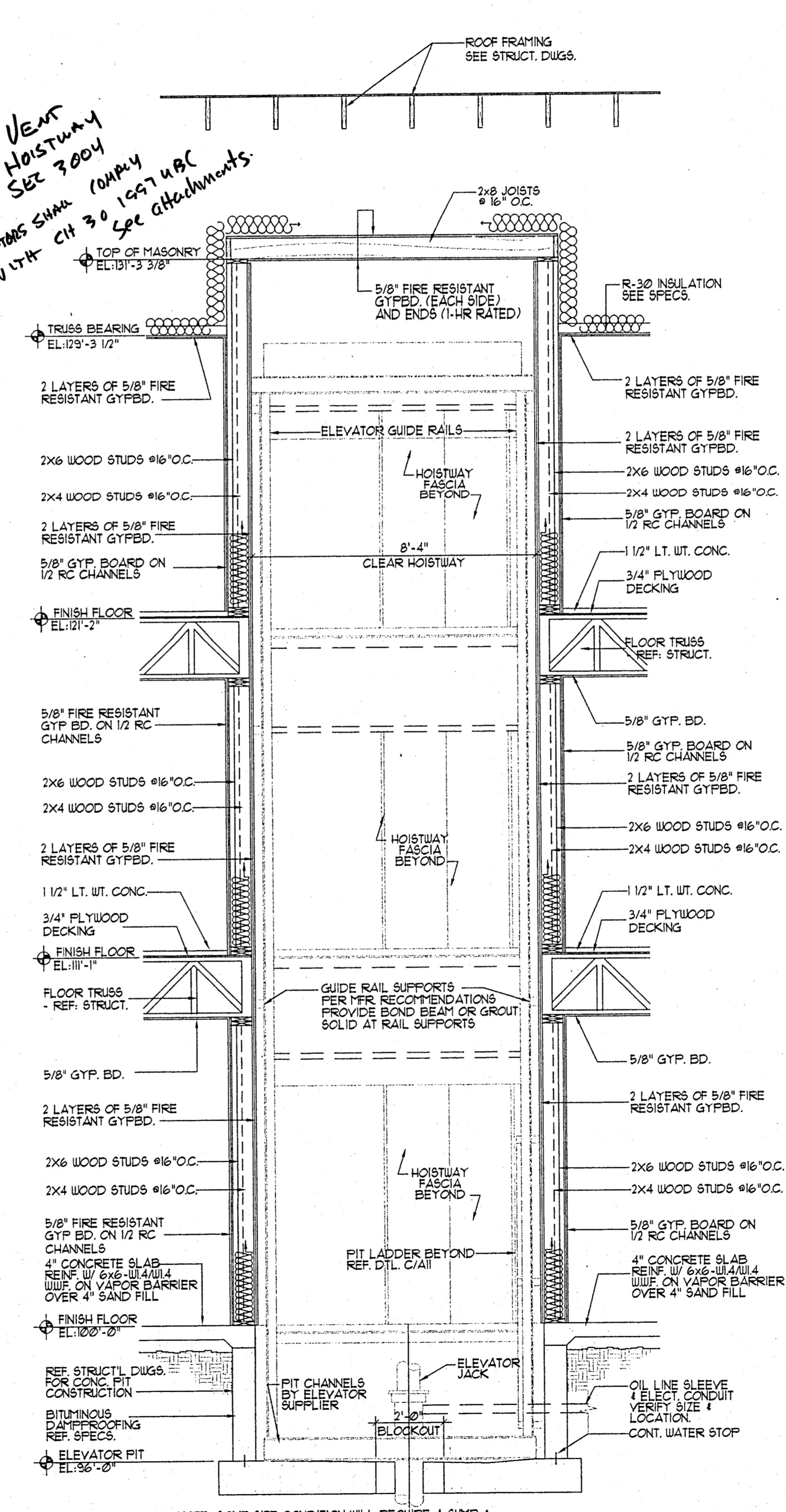
3 PASS. ELEV. SILL @ UPPER LEVELS
SCALE: 1/2" = 1'-0"



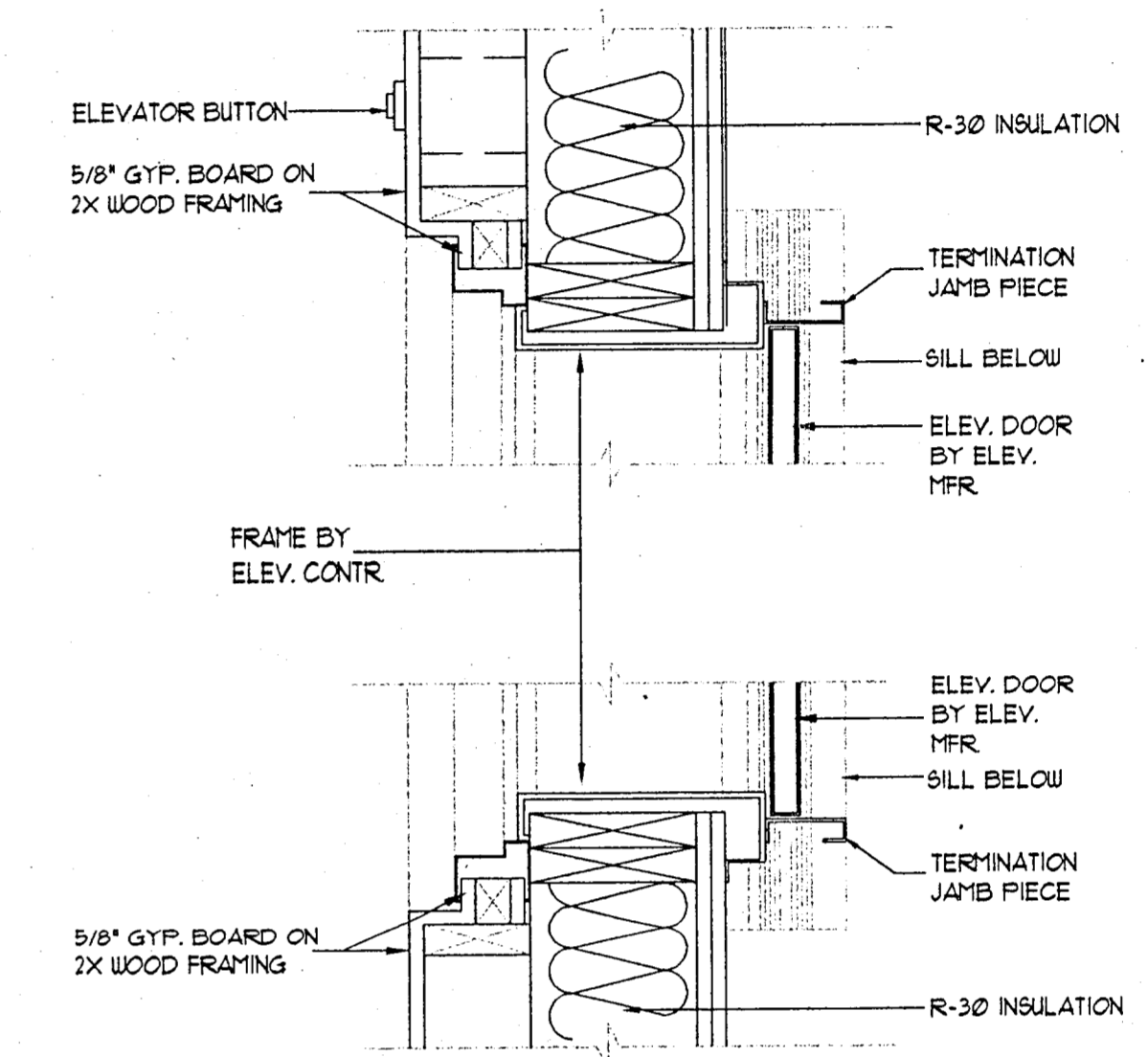
D SECTION THROUGH CLOTHES CHUTE
SCALE: 3/8" = 1'-0"



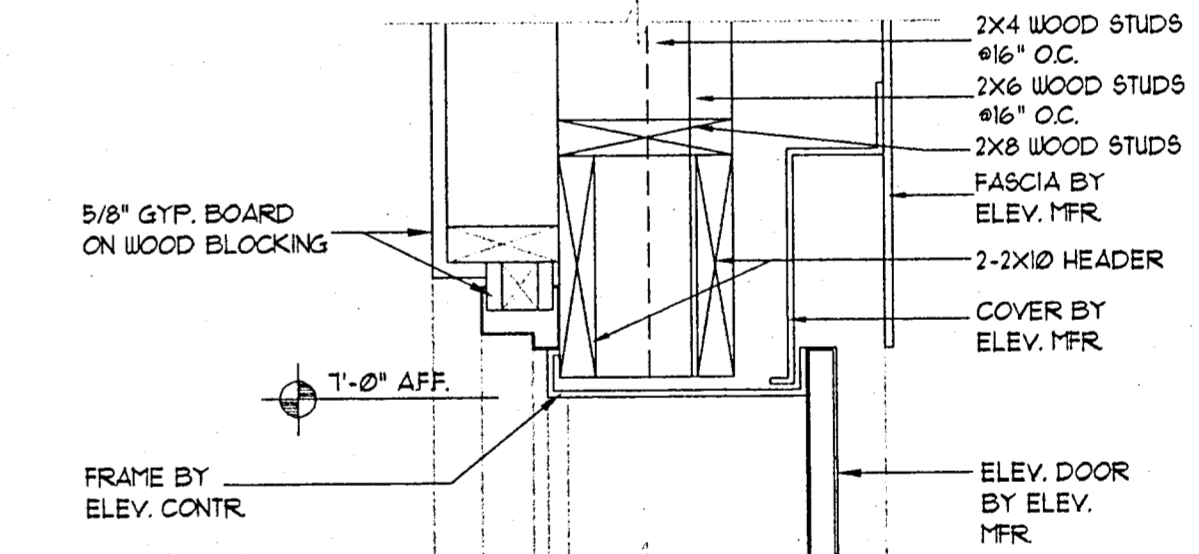
C PASSENGER ELEVATOR SECTION
SCALE: 3/8" = 1'-0"



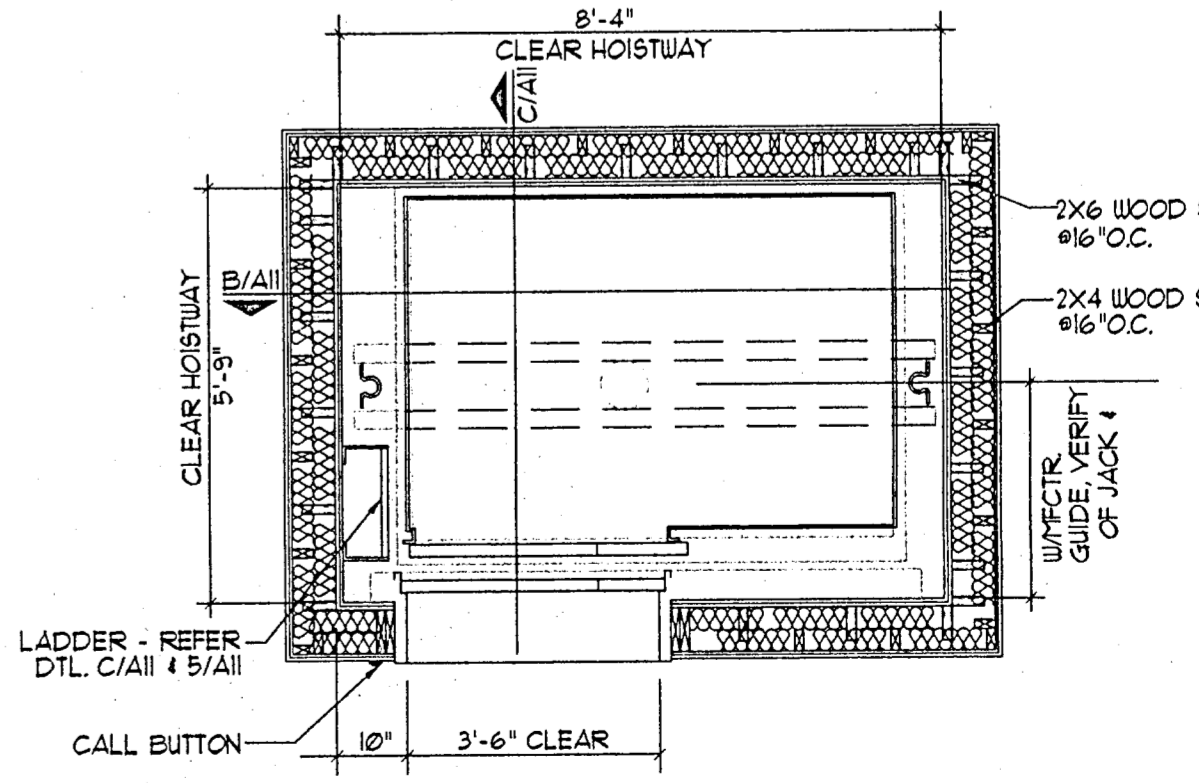
B PASSENGER ELEVATOR SECTION
SCALE: 3/8" = 1'-0"



2 PASS. ELEV. JAMB
SCALE: 1/2" = 1'-0"



1 PASS. ELEV. HEAD
SCALE: 1/2" = 1'-0"



A PASSENGER ELEVATOR PLAN
SCALE: 3/8" = 1'-0"

*Vent Hoistway See 3004
ELEMENTS SHALL REMAIN WITH C11 30 1547 UBC See attachments.*

NOTE:
1. ELEVATOR DOORS AND FRAMES TO BE "B" LABELED

NOTE:
CYLINDER FINISHED AND INSTALLED BY ELEV. MFR. JACK HOLE TO BE DRILLED PRIOR TO PIT INSTALLATION

PIT CHANNELS BY ELEVATOR SUPPLIER

24"x24" SQ SLAB BLOCKOUT FOR PLACEMENT OF ELEVATOR JACK

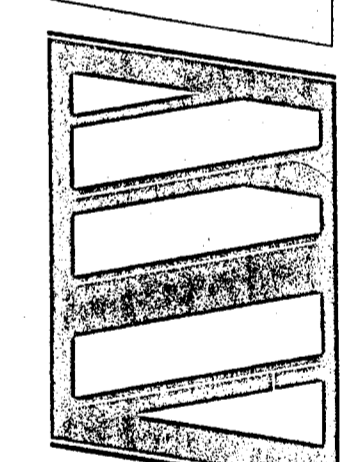
NOTE: SOME SITE CONDITION WILL REQUIRE A SUMP & SUMP PUMP IN THE ELEVATOR PIT.

REF. STRUCTURE FOR LOCATIONS OF VERT. REINFORCING. VERIFY ELEVATOR LOBBY REQUIREMENTS W/ BUILDING/FIRE DEPARTMENT

MAINSTAY SUITES
ADDISON, TEXAS



ART WILLIAMS JR
ARCHITECT
DALLAS, TEXAS 75240
14180 DALLAS PARKWAY, SUITE 520



ELEVATOR SECTION AND DETAILS

JOB: 811
DRAWN: FEC
DATE: 10/2/98
REVISIONS:

SHEET NO.
A11
OF: