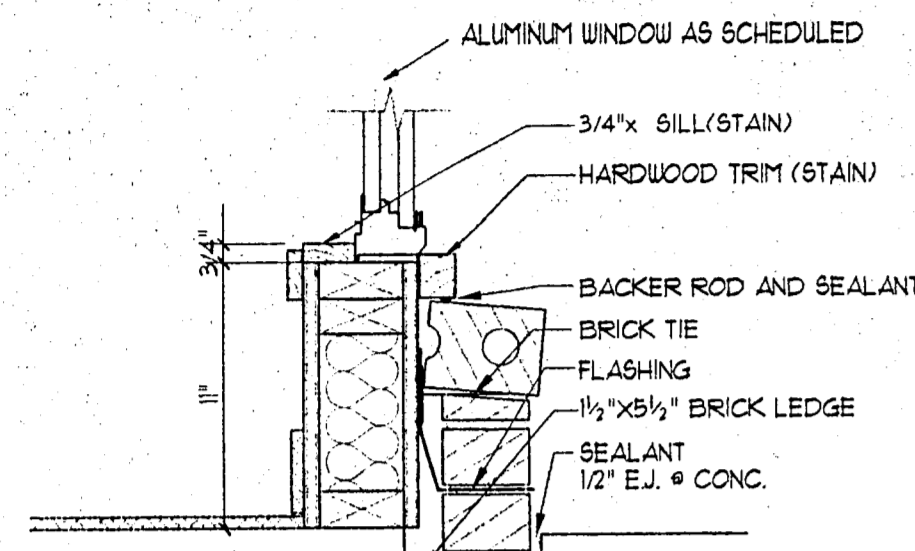
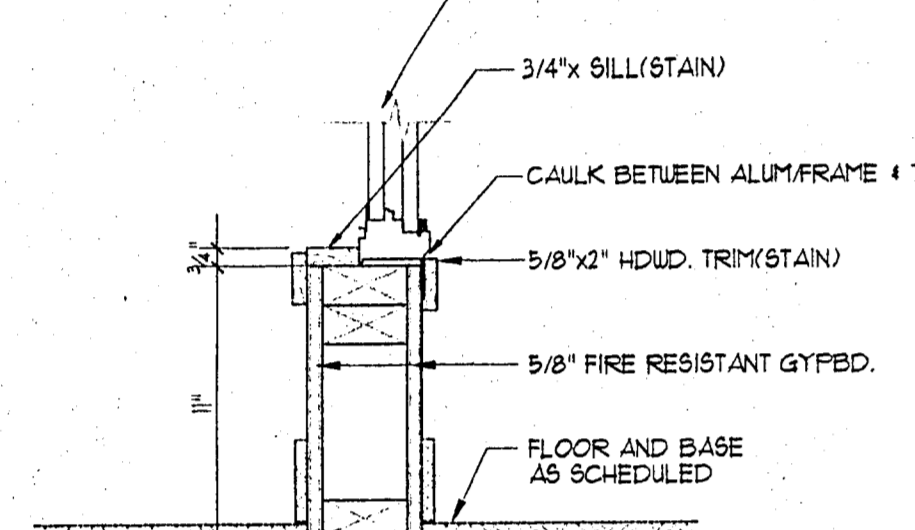


1 LOBBY SIDELIGHT JAMB-EXT.

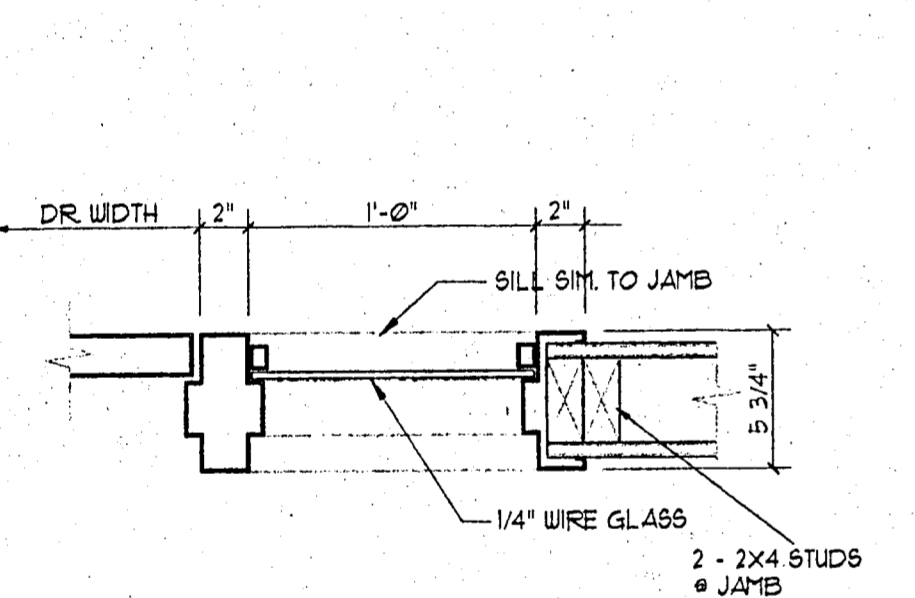


2 LOBBY SIDELIGHT SILL-EXT.

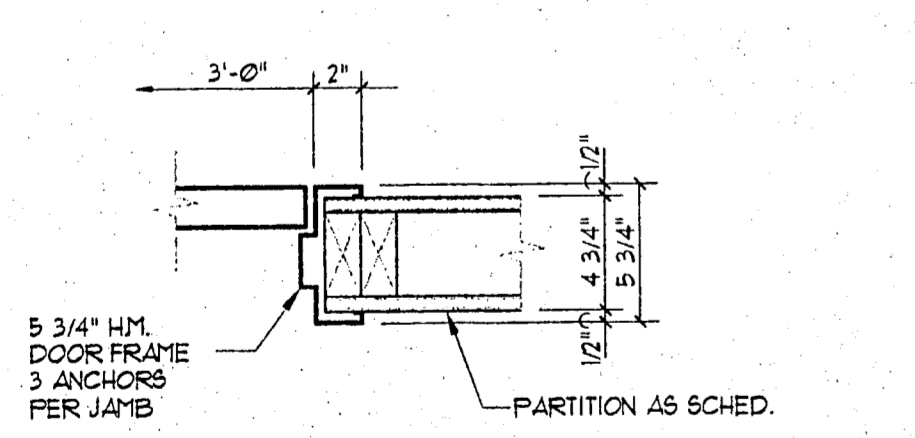


3 LOBBY SIDELIGHT SILL-INT.

(C) LOBBY WINDOW DETAILS
SCALE: 1/2\"/>

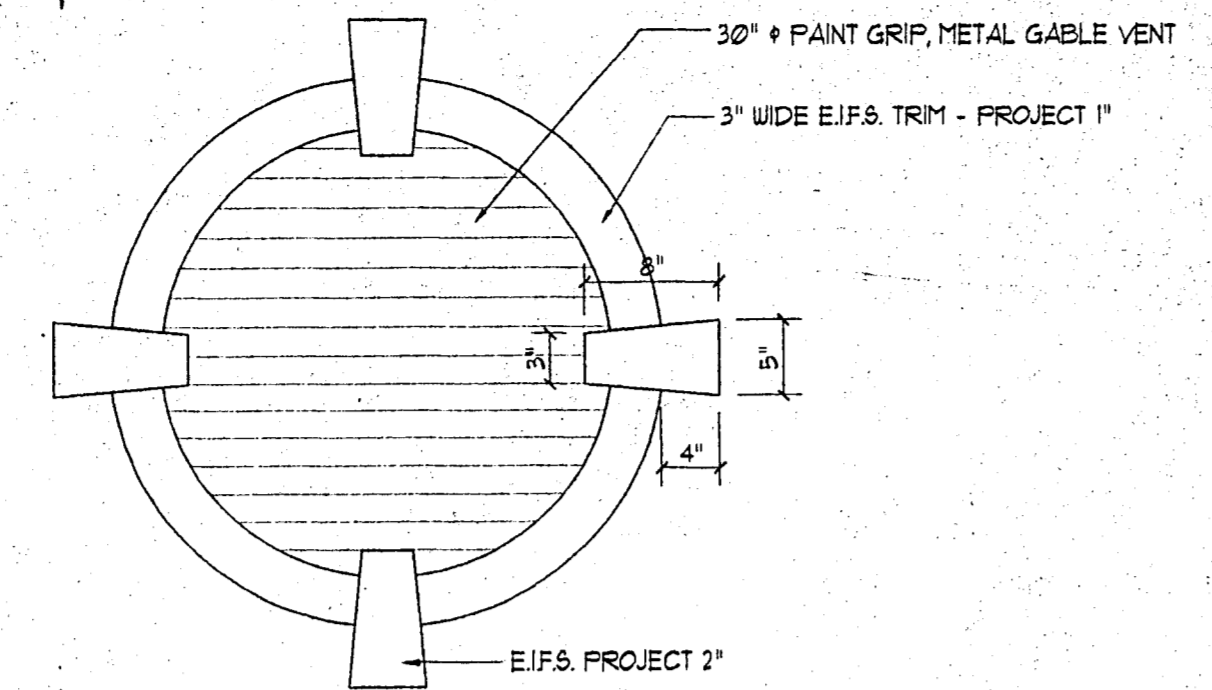


2 DOOR JAMB WITH SIDELITE DETAIL

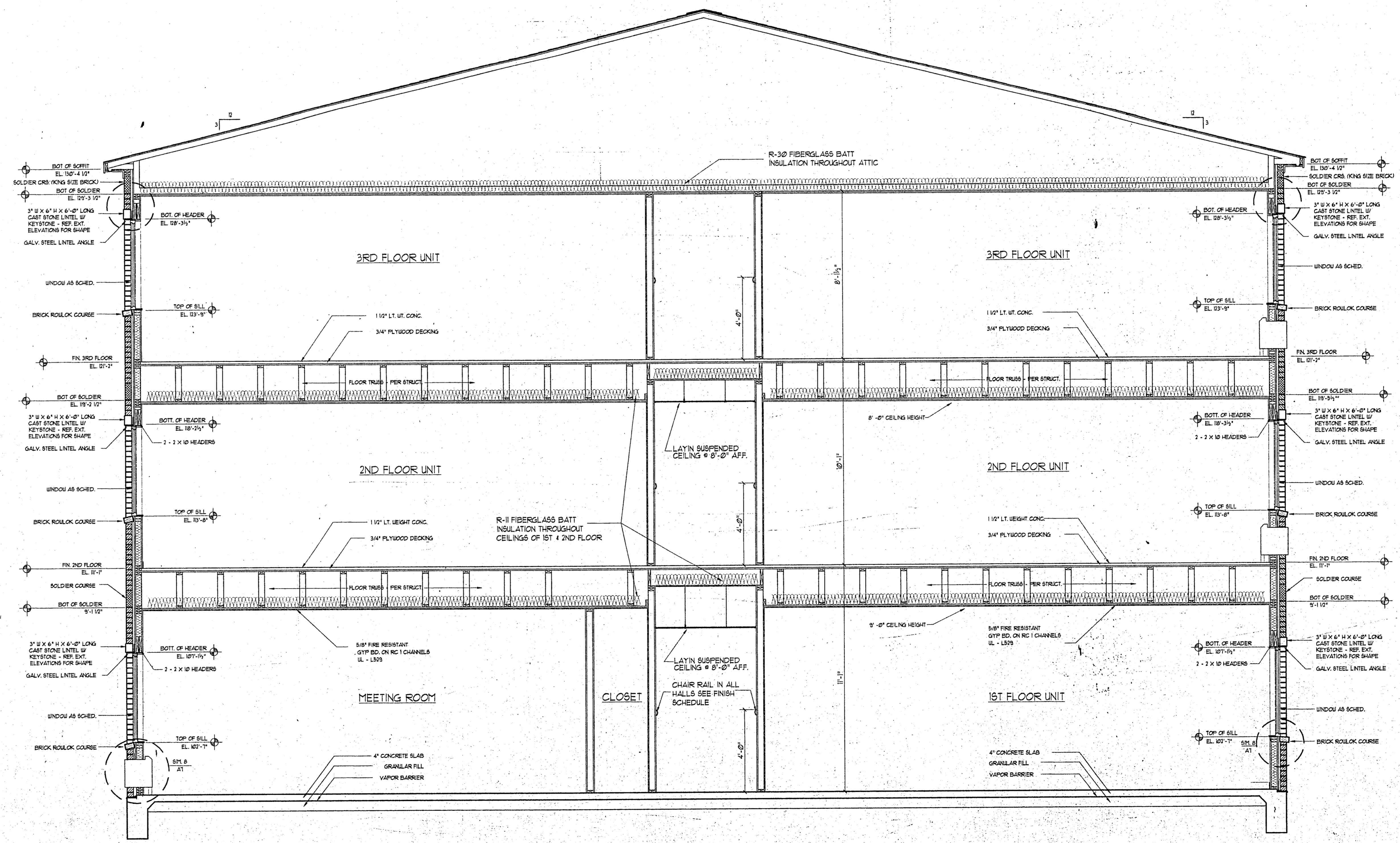


1 JAMB DETAIL

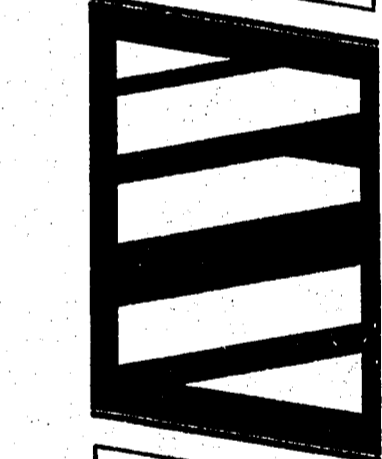
(B) HOL. MTL. FRAMES
SCALE: 1/2\"/>



(D) GABLE VENT DETAIL
SCALE: 1\"/>



(A) BUILDING SECTION
SCALE: 3/8\"/>



JOB: 811
DRAWN: RKS
DATE: 10/28/98
REVISIONS:
10/26/98