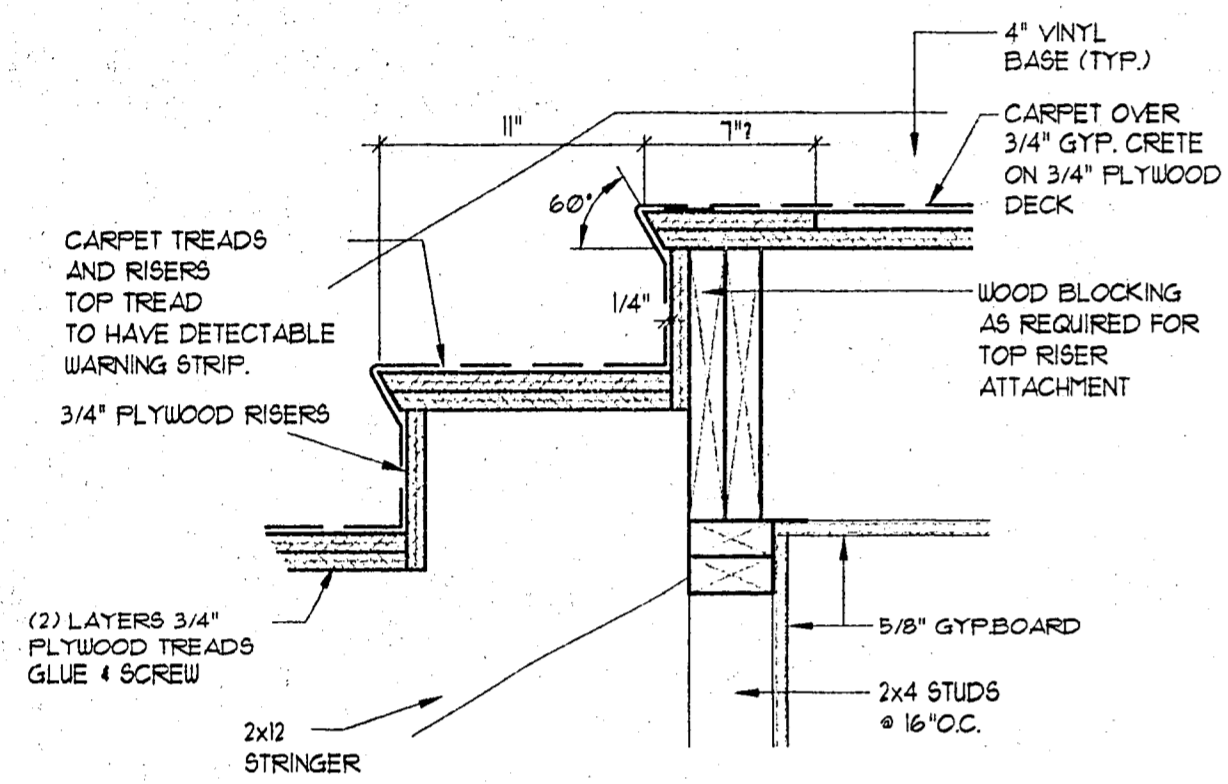
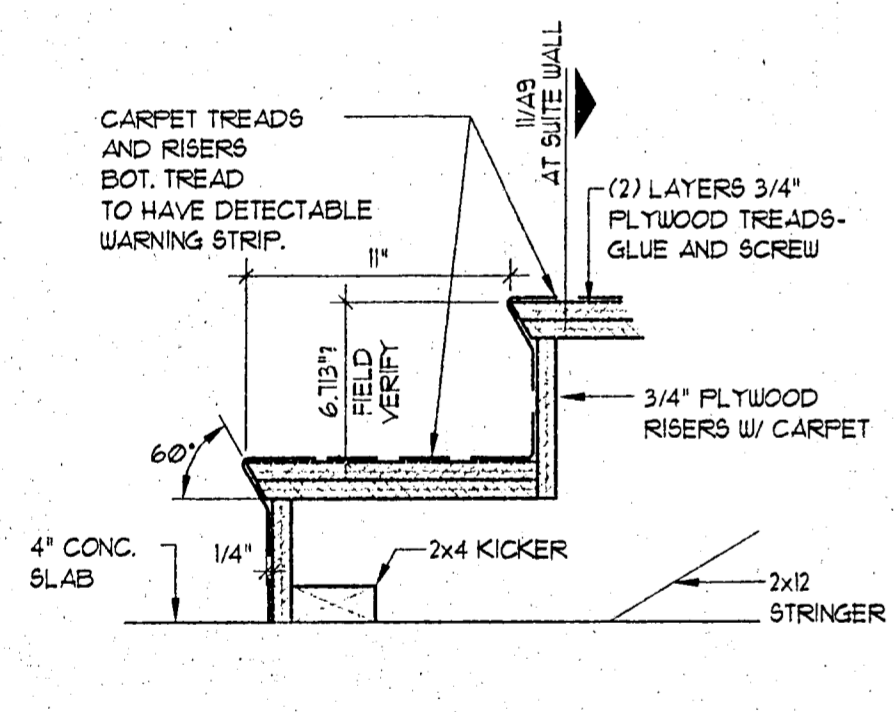


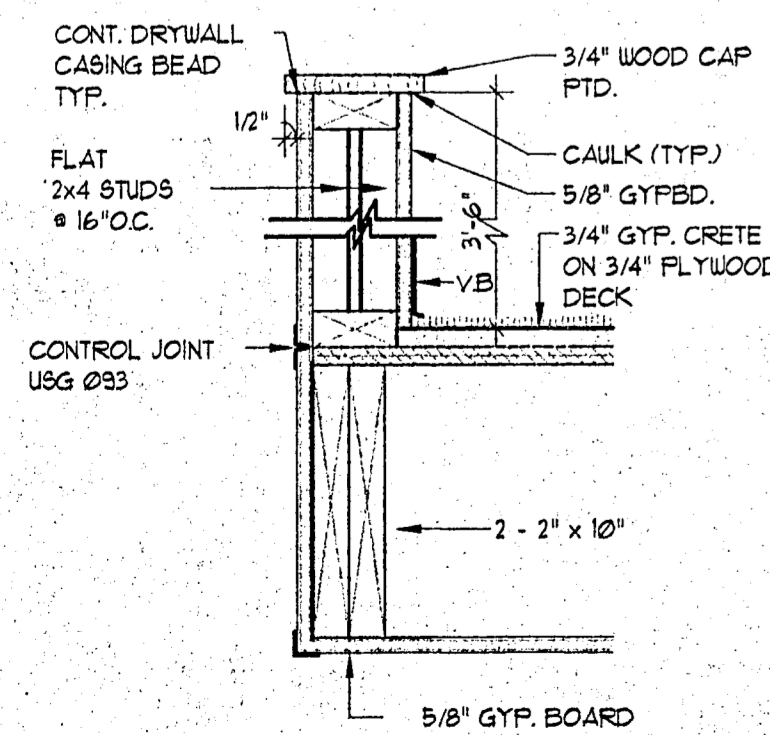
**4 LANDING TO WALL**  
SCALE: 1/2" = 1'-0"



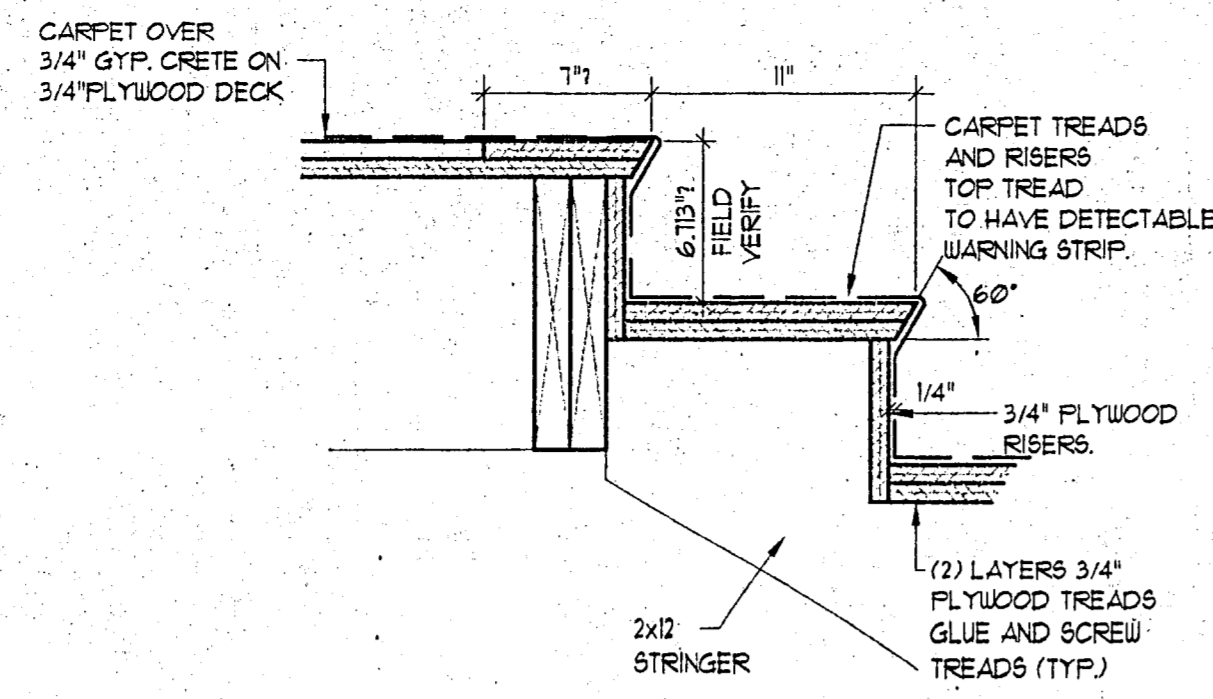
**3 STAIR TO LANDING**  
SCALE: 1/2" = 1'-0"



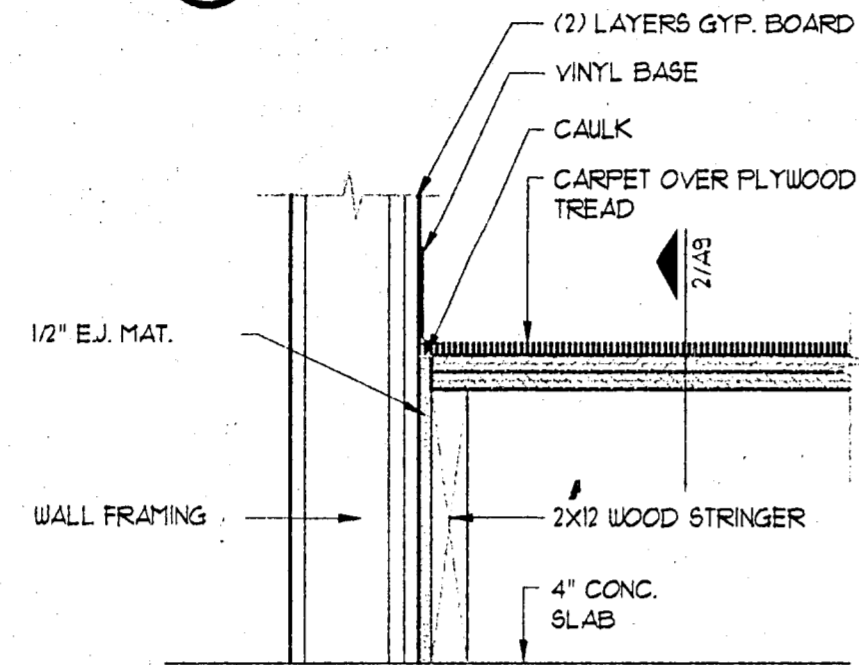
**2 STAIR TO SLAB**  
SCALE: 1/2" = 1'-0"



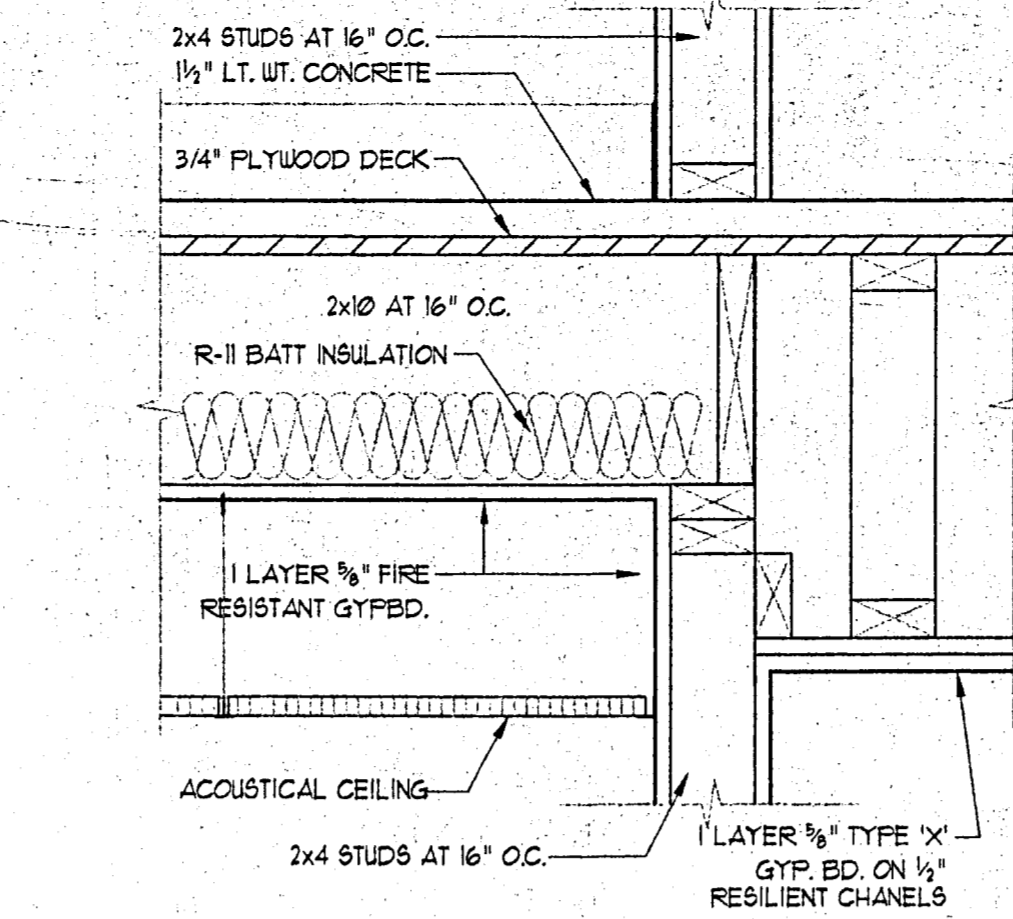
**1 LANDING GUARDRAIL**  
SCALE: 1/2" = 1'-0"



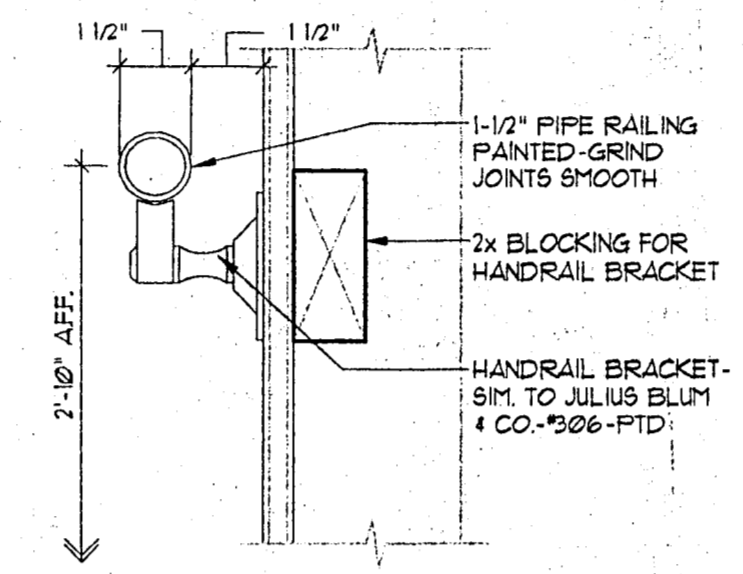
**5 STAIR TO LANDING**  
SCALE: 1/2" = 1'-0"



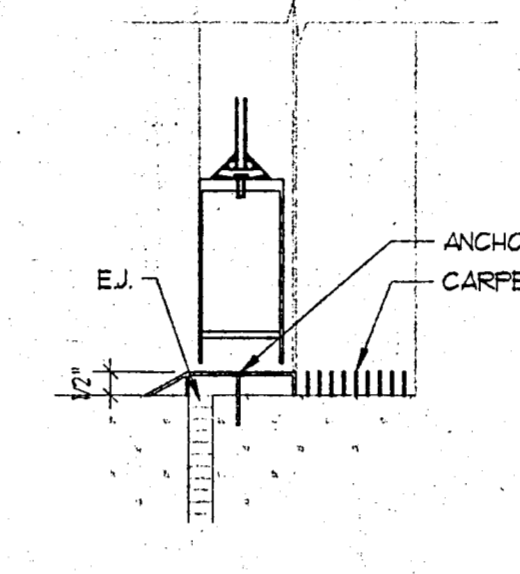
**8 SECTION @ WALL/STAIR INTERSECTION**  
SCALE: 3/4" = 1'-0"



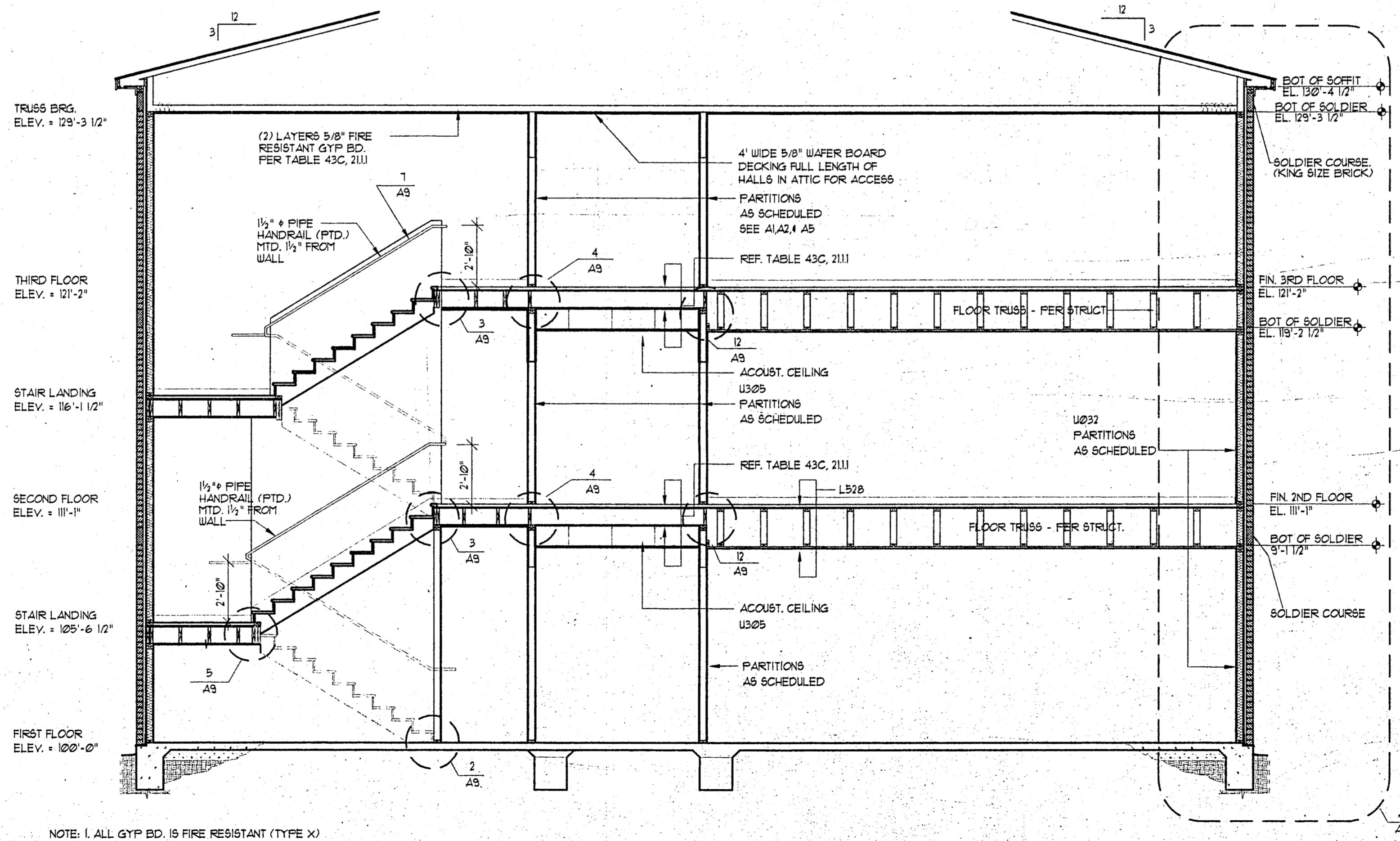
**12 TYP. CORRIDOR CONNECTION**  
SCALE: 1/2" = 1'-0"



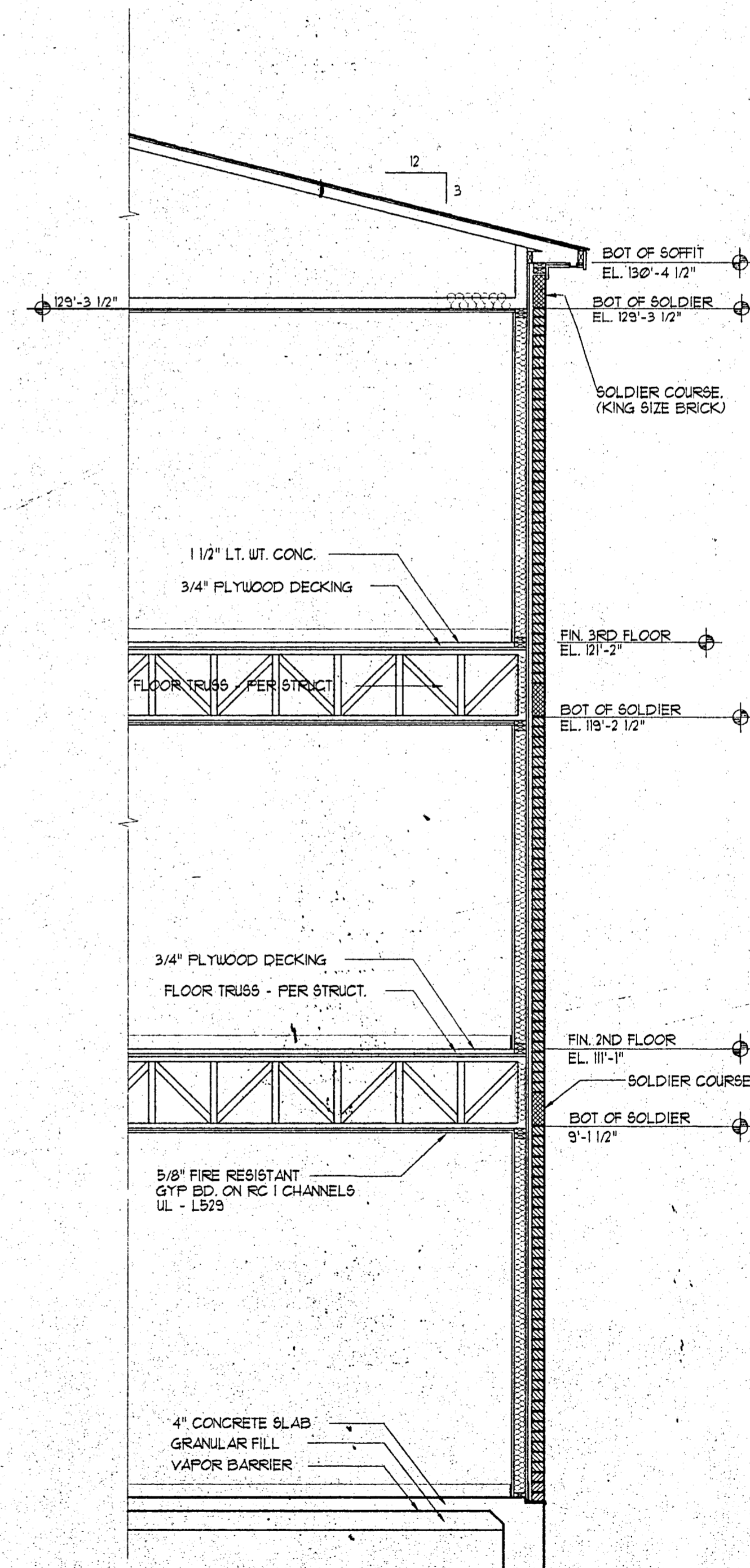
**7 HANDRAIL**  
SCALE: 3/4" = 1'-0"



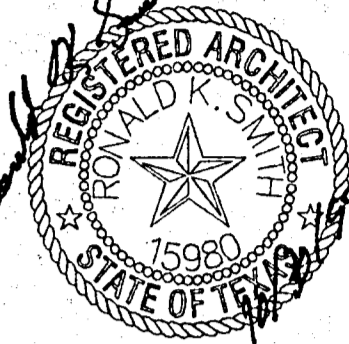
**6 THRESHOLD**  
SCALE: 3/4" = 1'-0"



**B SECTION - EXIT STAIR**  
SCALE: 1/4" = 1'-0"



**A SECTION F @ END WALL**  
SCALE: 3/8" = 1'-0"



**ART WILLIAMS JR**  
ARCHITECT  
14180 DALLAS PARKWAY, SUITE 520  
DALLAS, TEXAS 75240



**STAIR PLANS**  
**SECTIONS & DETAILS**

JOB: 811  
DRAWN: RKS  
DATE: 10/28/98  
REVISIONS:  
10/16/98

SHEET NO.  
**A9**  
OF:

**MAINSTAY SUITES**  
ADDISON, TEXAS