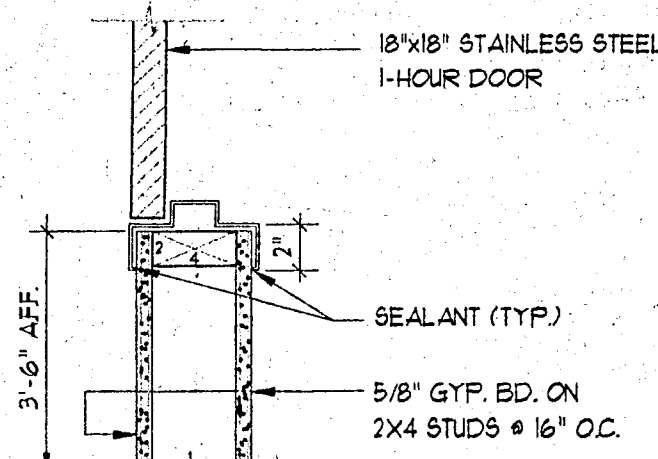
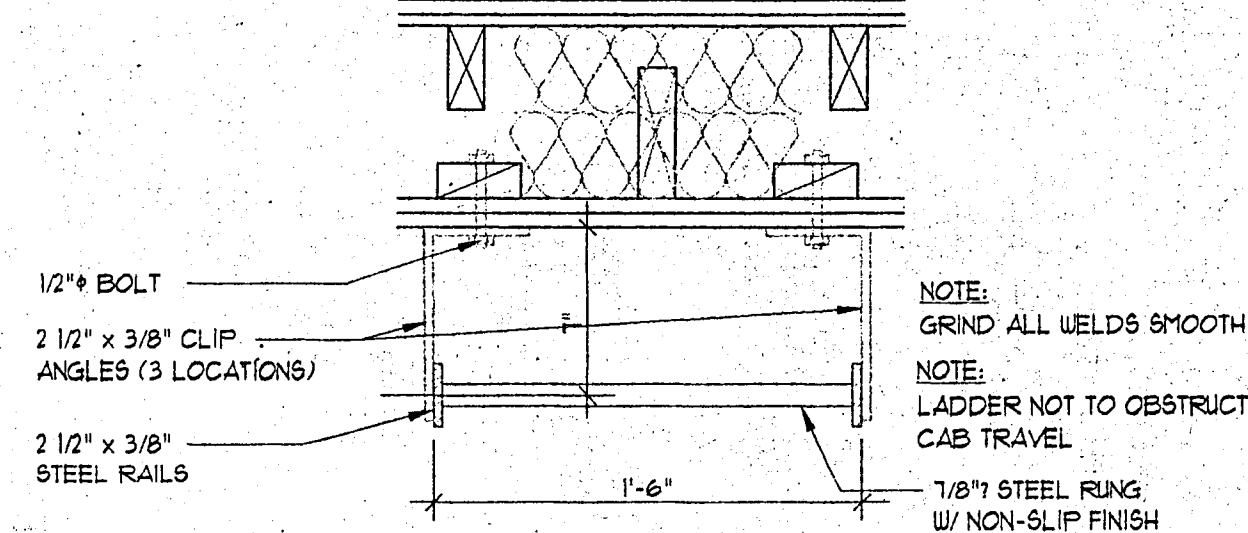


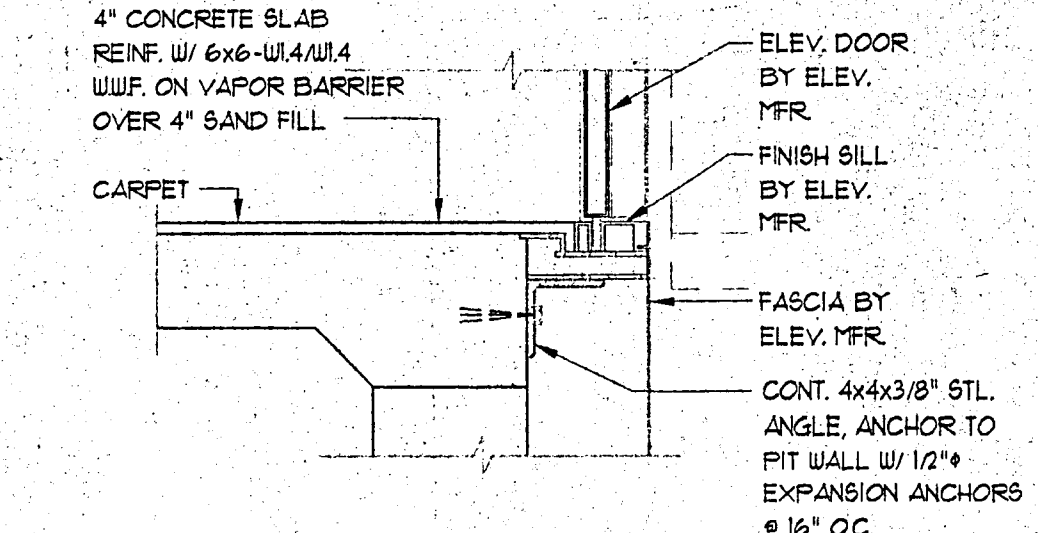
7 HEAD @ CLOTHES DROP
SCALE: 1/2" = 1'-0"



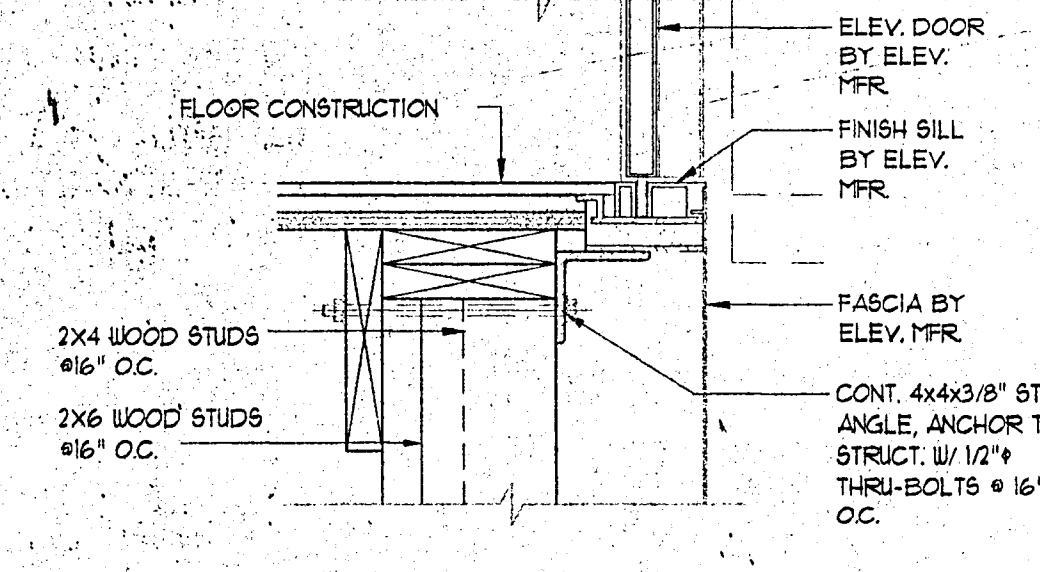
6 SILL @ CLOTHES DROP
SCALE: 1/2" = 1'-0"



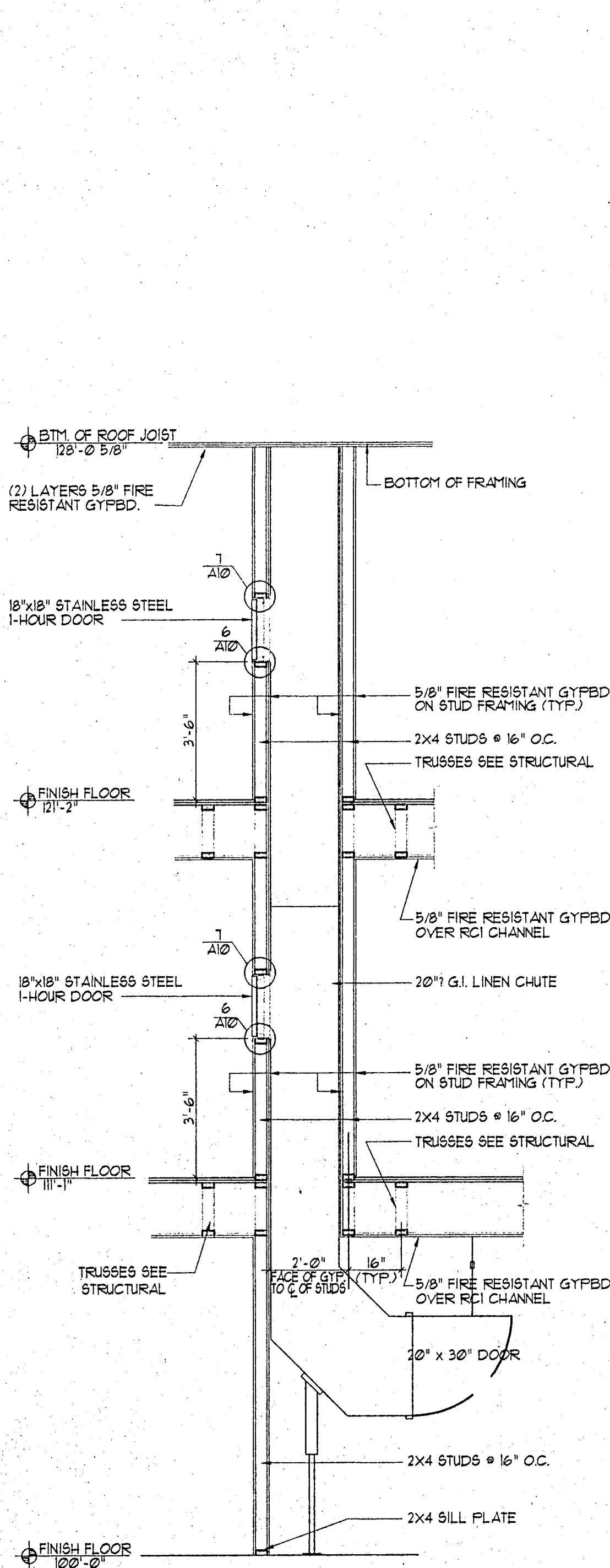
5 WALL LADDER
SCALE: 1/2" = 1'-0"



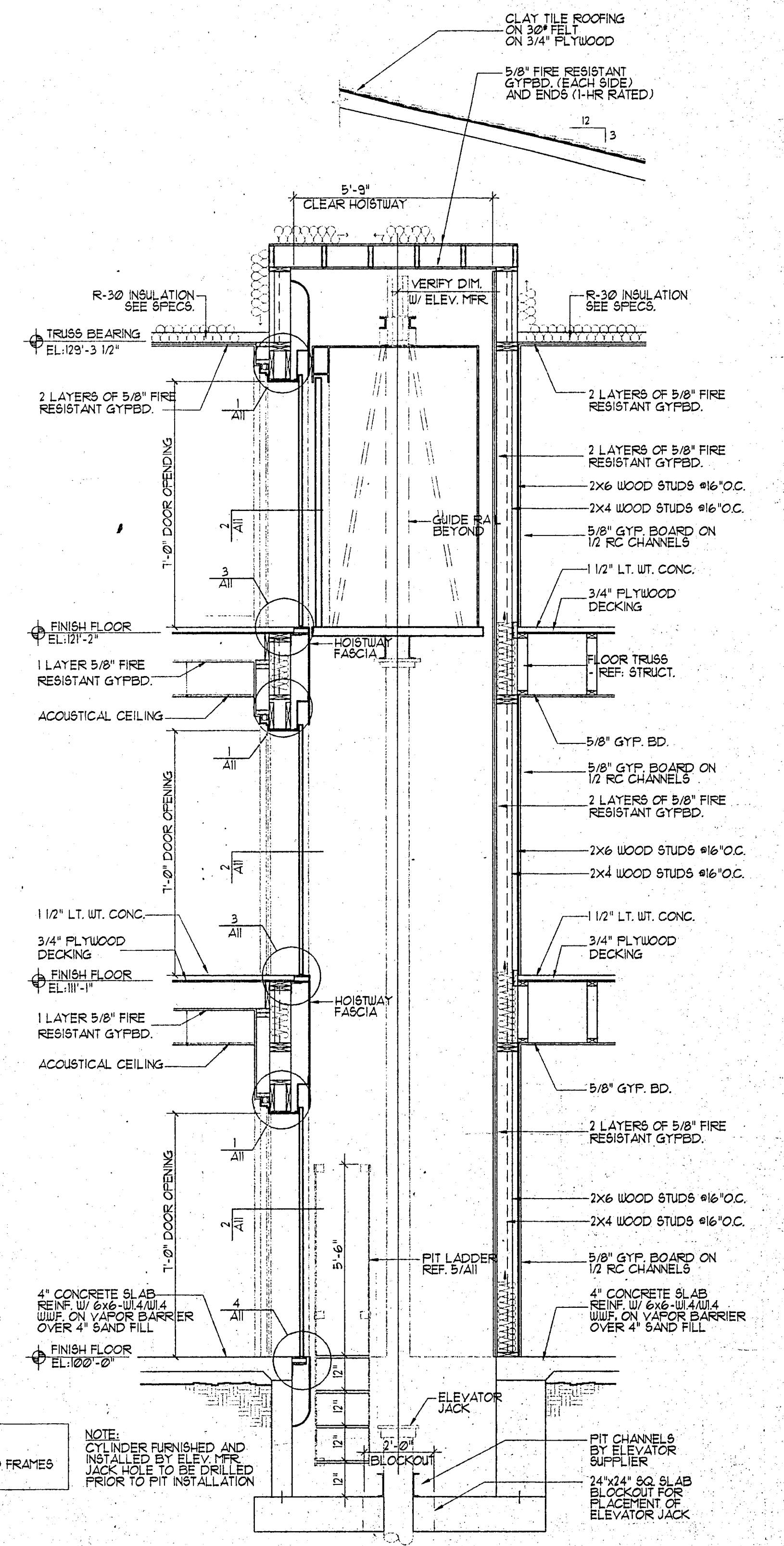
4 PASS. ELEV. SILL @ LOWER LEVEL
SCALE: 1/2" = 1'-0"



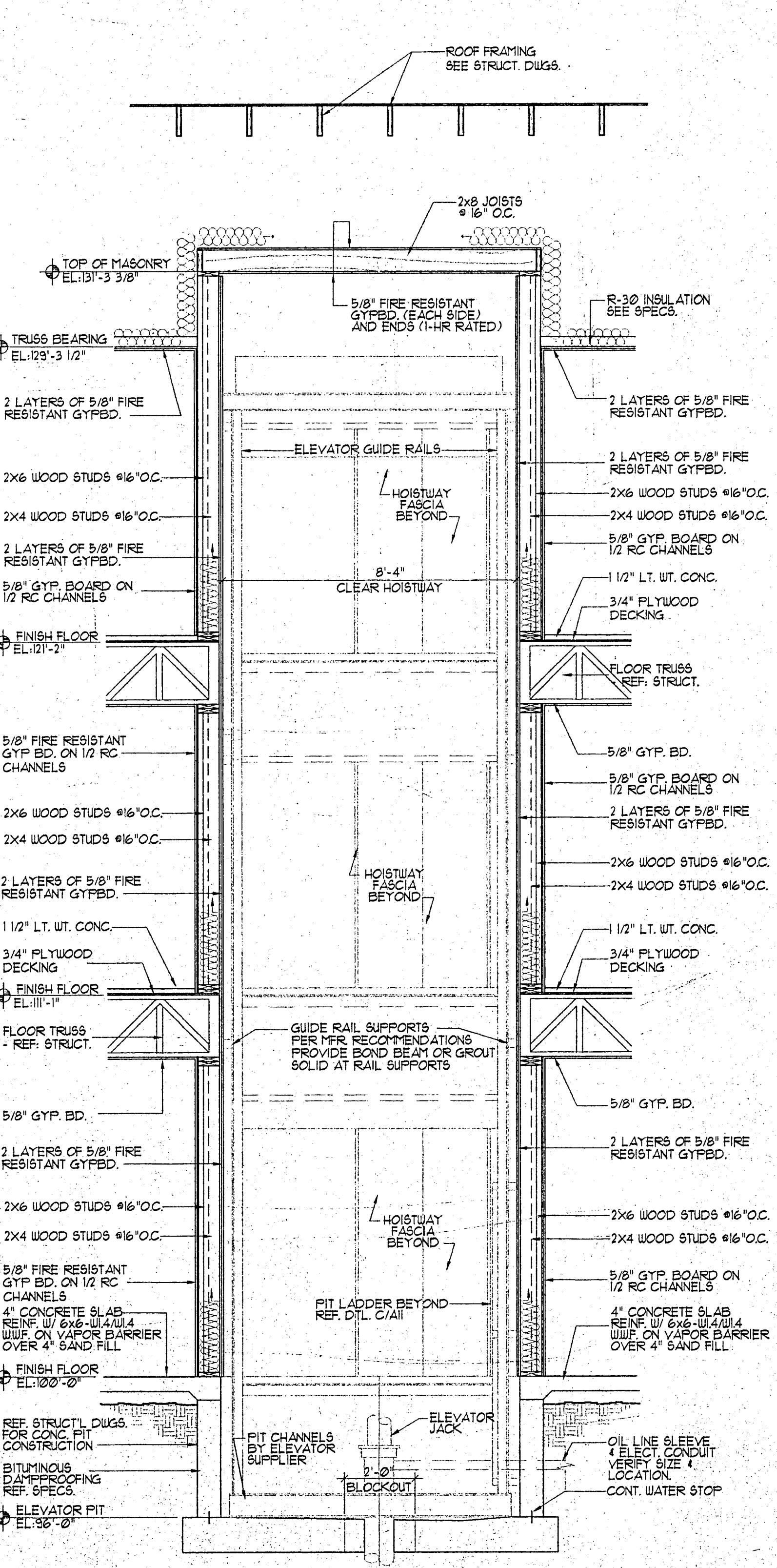
3 PASS. ELEV. SILL @ UPPER LEVELS
SCALE: 1/2" = 1'-0"



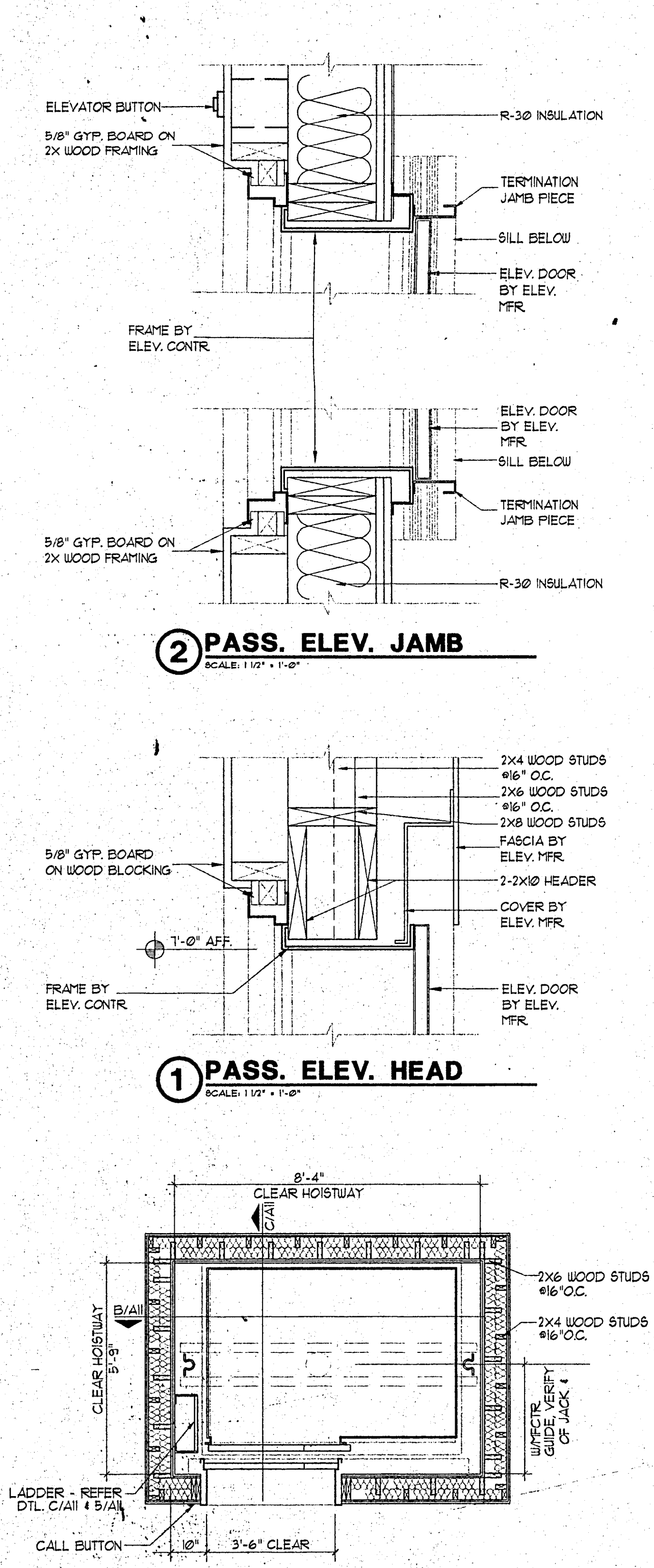
D SECTION THROUGH CLOTHES CHUTE
SCALE: 3/8" = 1'-0"



C PASSENGER ELEVATOR SECTION
SCALE: 3/8" = 1'-0"



B PASSENGER ELEVATOR SECTION
SCALE: 3/8" = 1'-0"



A PASSENGER ELEVATOR PLAN
SCALE: 3/8" = 1'-0"

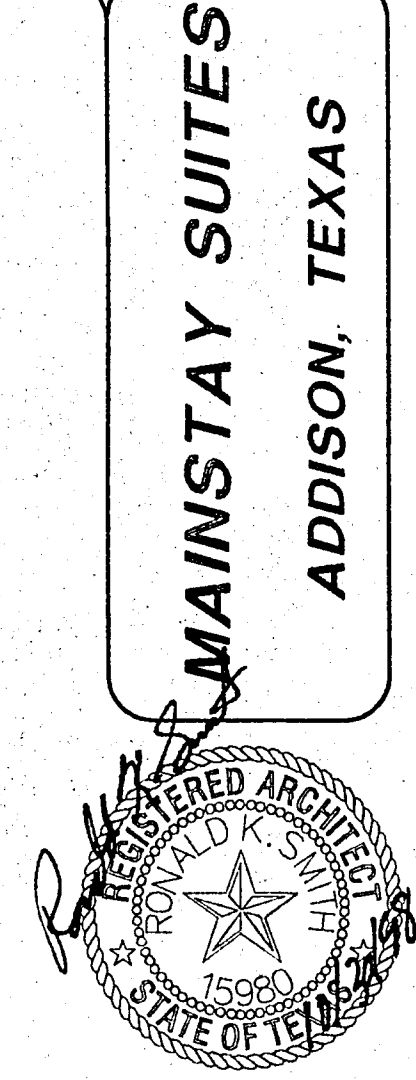
NOTE:
1. ELEVATOR DOORS AND FRAMES TO BE 'B' LABELED

NOTE:
CYLINDER FURNISHED AND INSTALLED BY ELEV. MFR. JACK HOLE TO BE DRILLED PRIOR TO PIT INSTALLATION

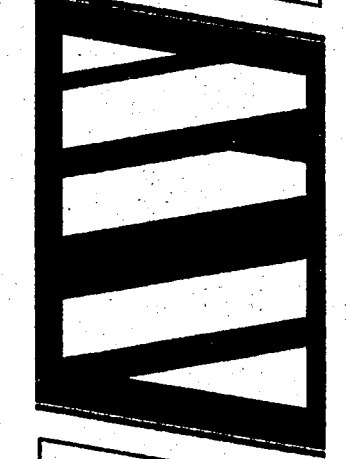
NOTE:
PIT CHANNELS BY ELEVATOR SUPPLIER
24"x24" SQ. SLAB BLOCKOUT FOR PLACEMENT OF ELEVATOR JACK

NOTE: SOME SITE CONDITION WILL REQUIRE A SUMP & SUMP PUMP IN THE ELEVATOR PIT.

REF. STRUCTURE FOR LOCATIONS OF VERT. REINFORCING. VERIFY ELEVATOR LOBBY REQUIREMENTS W/ BUILDING/FIRE DEPARTMENT



ART WILLIAMS JR
ARCHITECT
14180 DALLAS PARKWAY, SUITE 520
DALLAS, TEXAS 75240



ELEVATOR SECTION AND DETAILS

JOB: 811
DRAWN: RKS
DATE: 10/28/98
REVISIONS: 10/26/98

SHEET NO.
A11
OF: