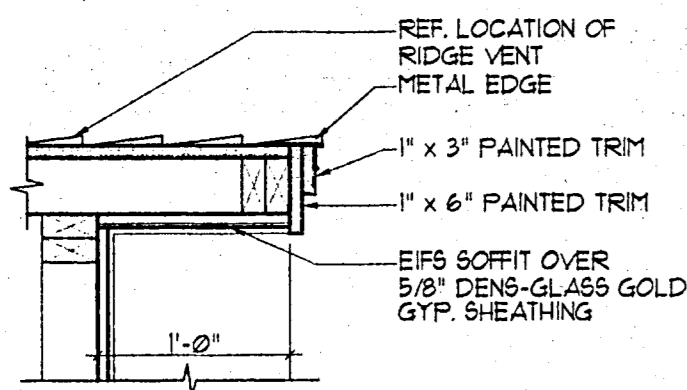
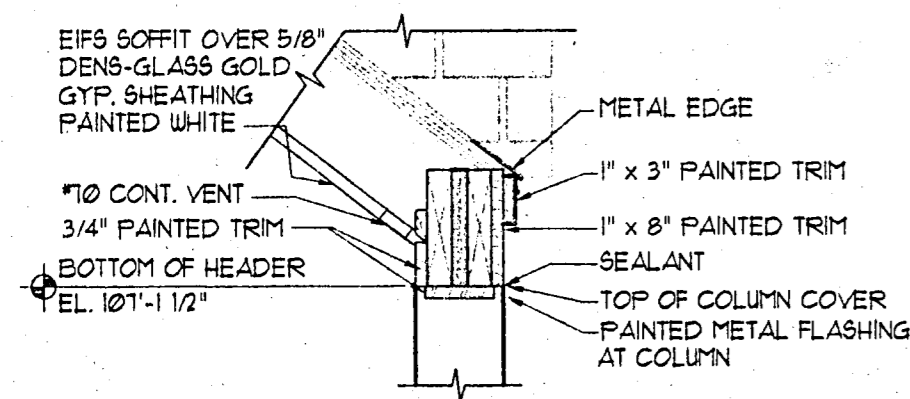


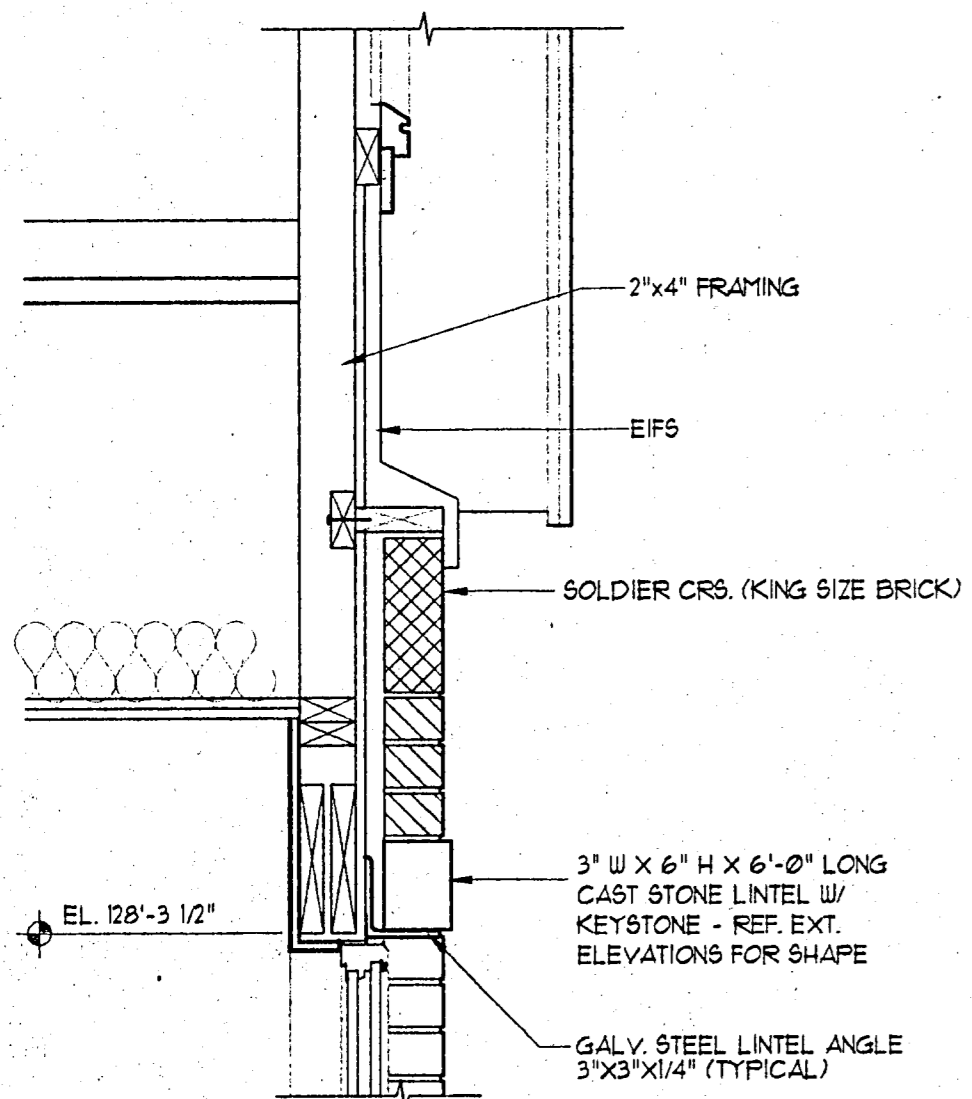
**10 FACIA/SOFFIT DTL.**  
SCALE: 1" = 1'-0"



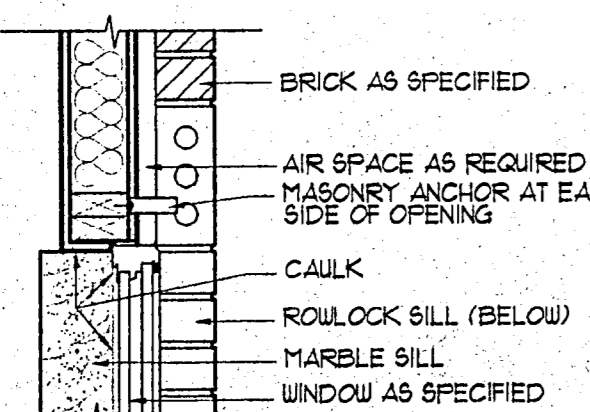
**9 GABLE DETAIL**  
SCALE: 1" = 1'-0"



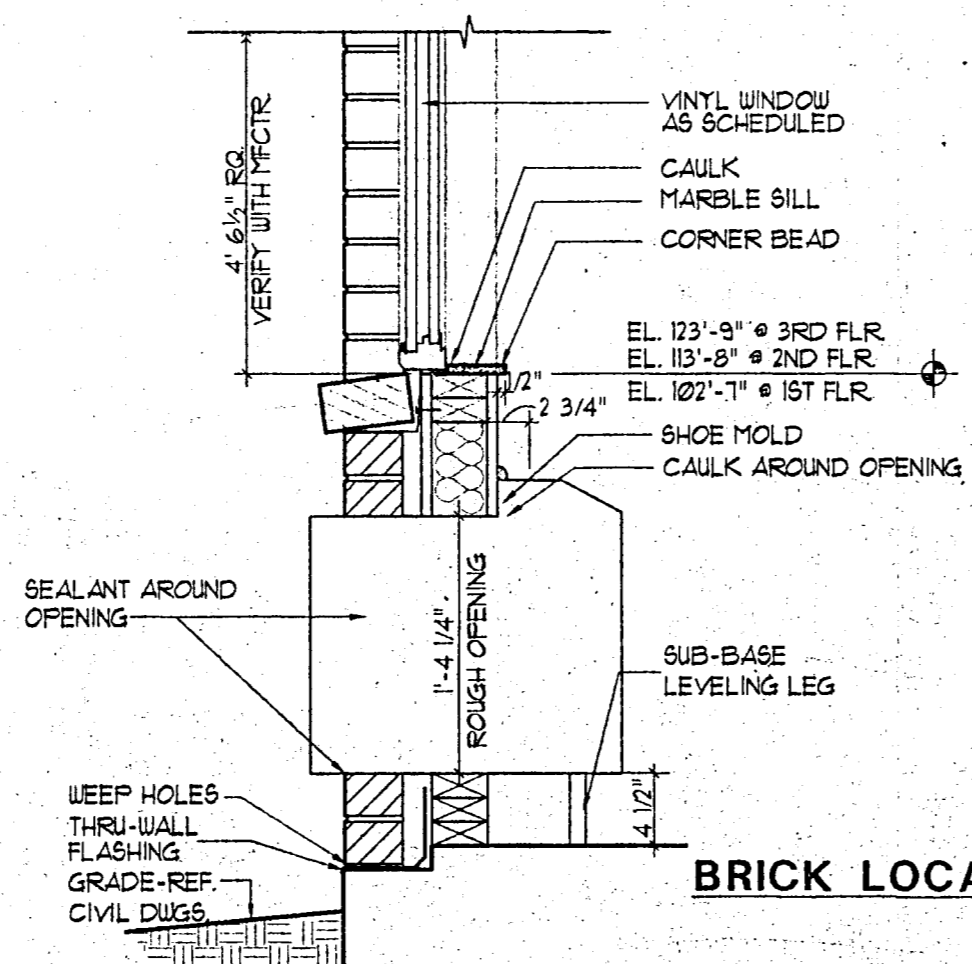
**8 HEADER DETAIL**  
SCALE: 1" = 1'-0"



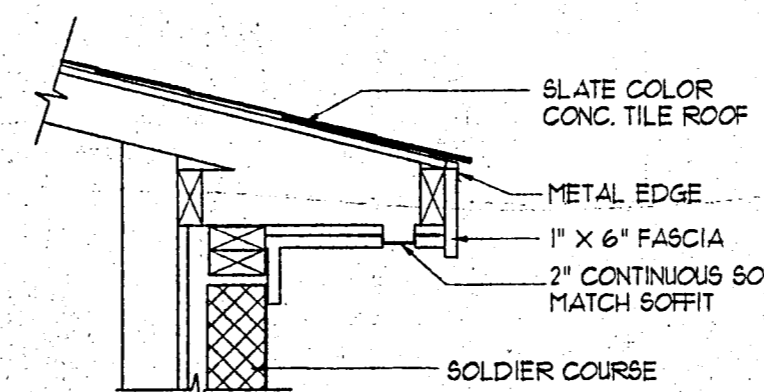
**7 GABLE VENT/HEAD DETAIL**  
SCALE: 1" = 1'-0"



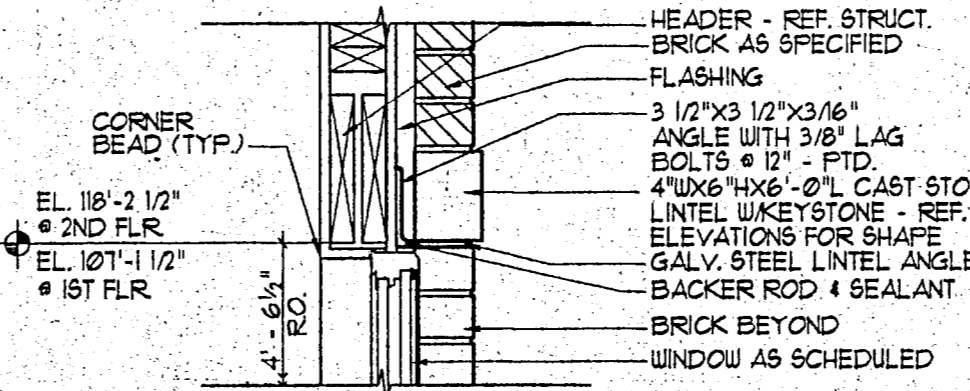
**6 BRICK AT JAMB DETAIL**  
SCALE: 1" = 1'-0"



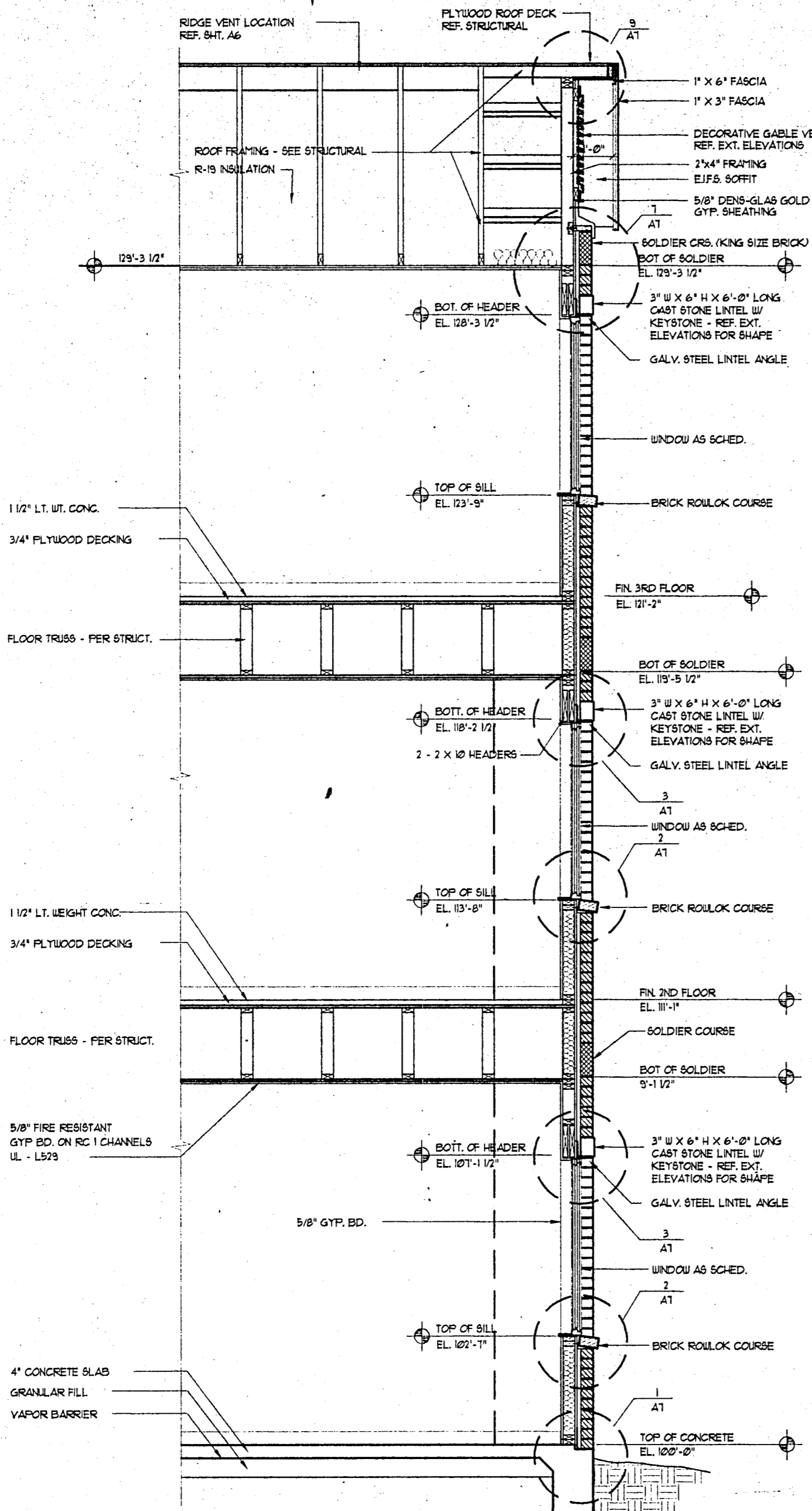
**5 A/C UNIT / SILL DETAIL**  
SCALE: 1" = 1'-0"



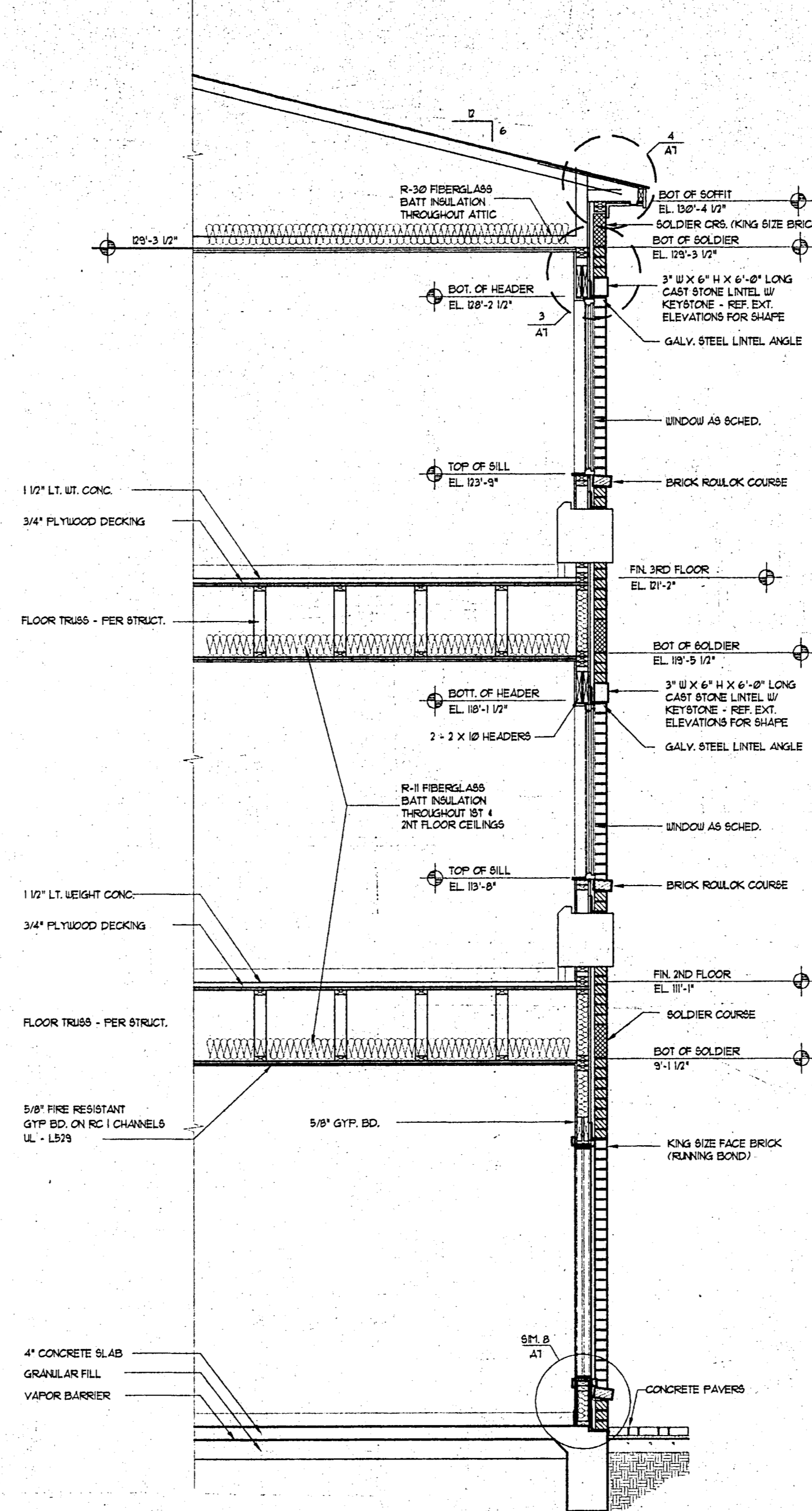
**4 SOFFIT DETAIL**  
SCALE: 1" = 1'-0"



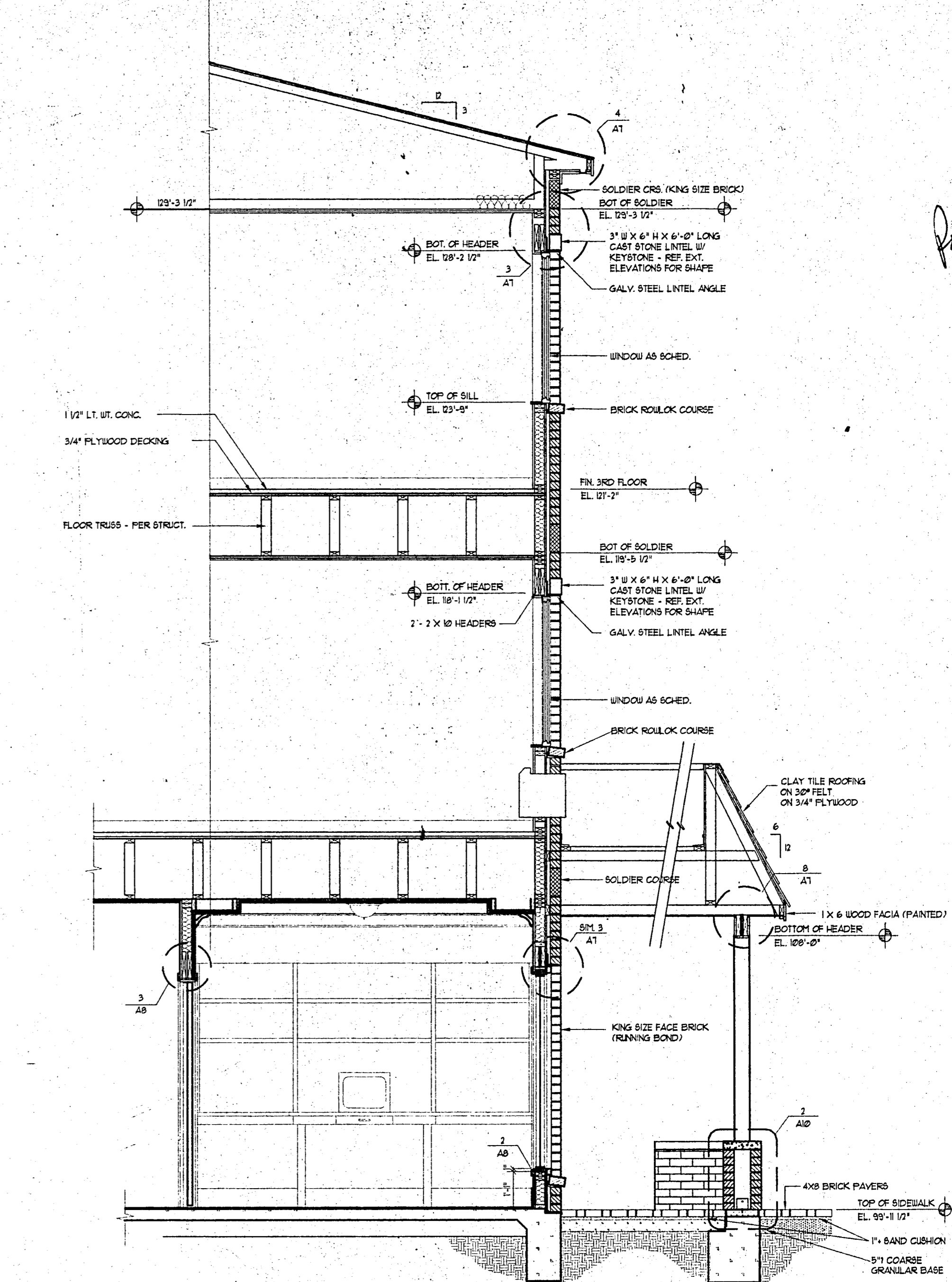
**3 BRICK AT HEADER DETAIL**  
SCALE: 1" = 1'-0"



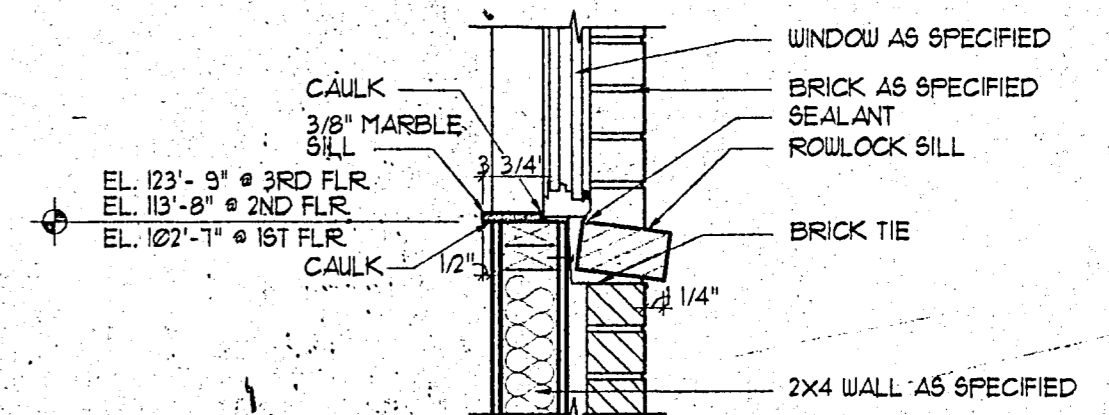
**C SECTION E @ 1 BEDROOM SUITE**  
SCALE: 3/8" = 1'-0"



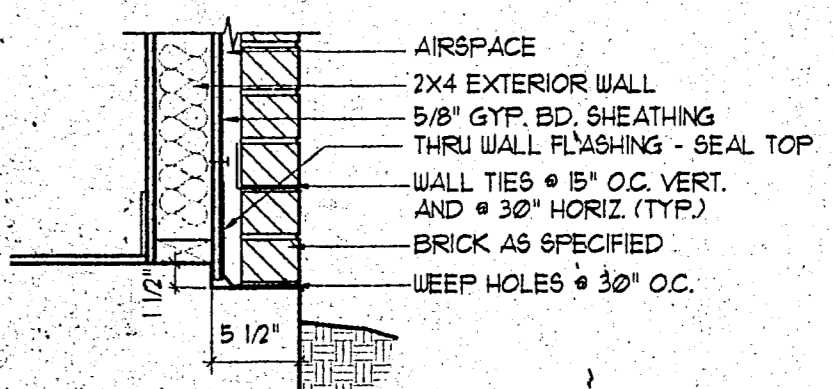
**B SECTION B @ ENTRANCE**  
SCALE: 3/8" = 1'-0"



**A SECTION A @ ENTRANCE**  
SCALE: 3/8" = 1'-0"



**2 BRICK AT SILL DETAIL**  
SCALE: 1" = 1'-0"



**1 BRICK LEDGE DETAIL**  
SCALE: 1" = 1'-0"

