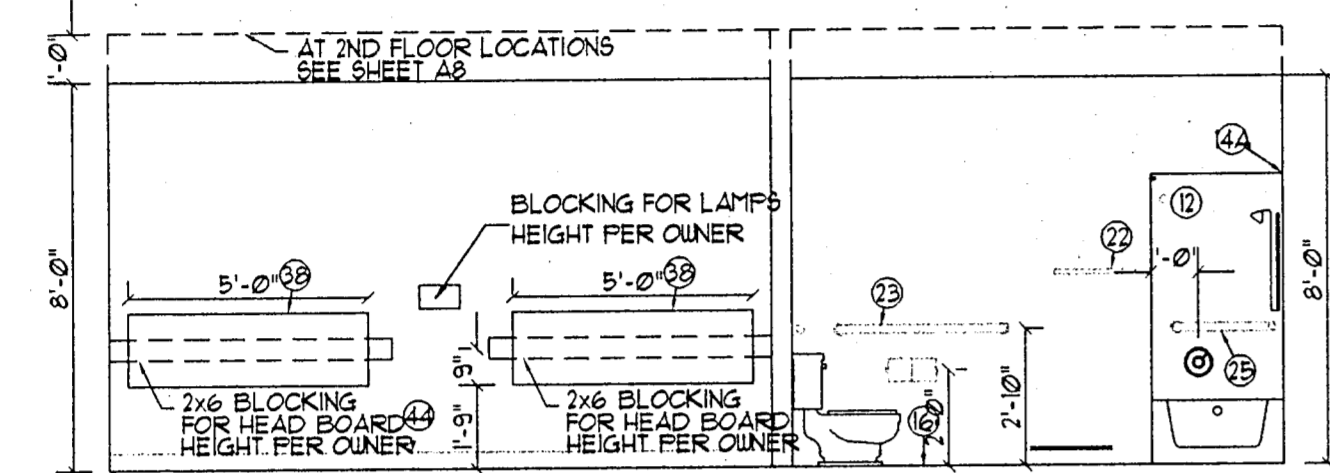
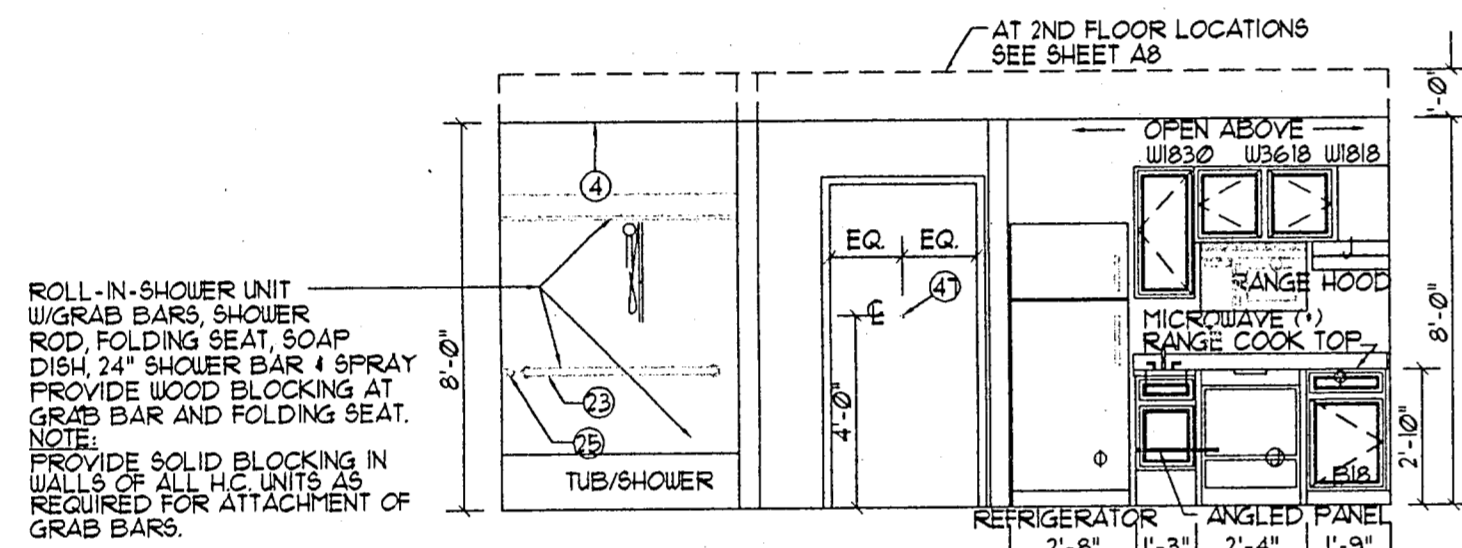


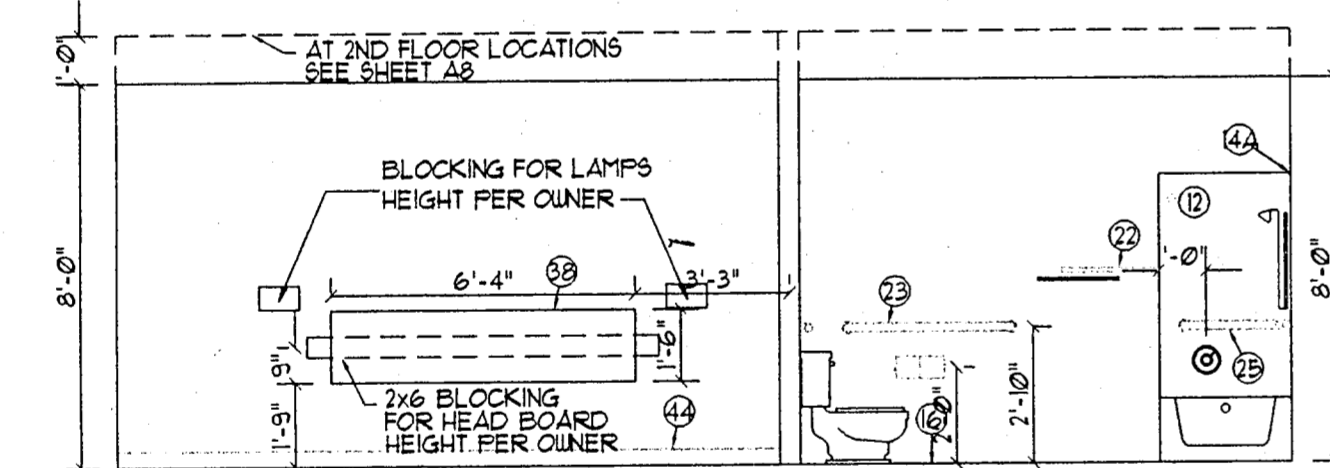
A TYPICAL SUITE ELEVATION
SCALE: 1/4" = 1'-0"



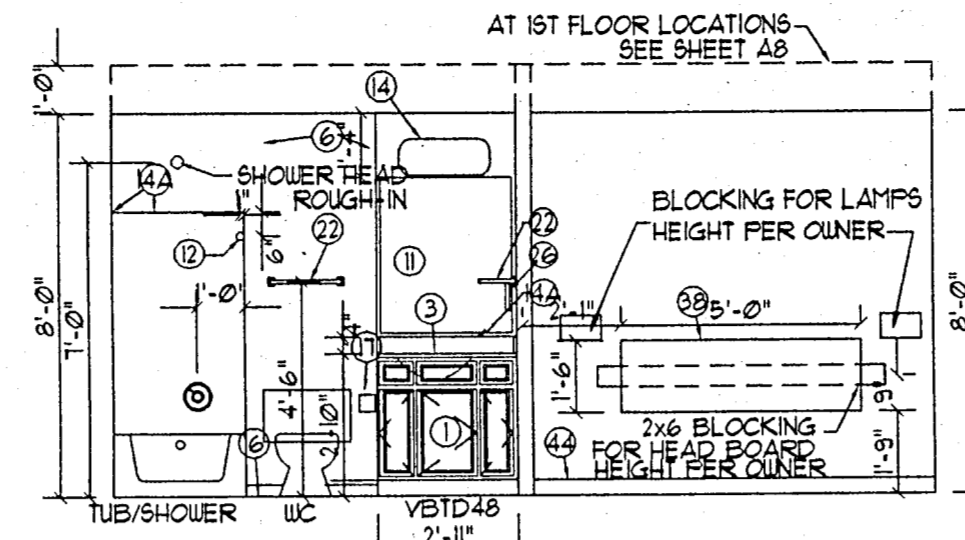
B TYPICAL SUITE ELEVATION
SCALE: 1/4" = 1'-0"



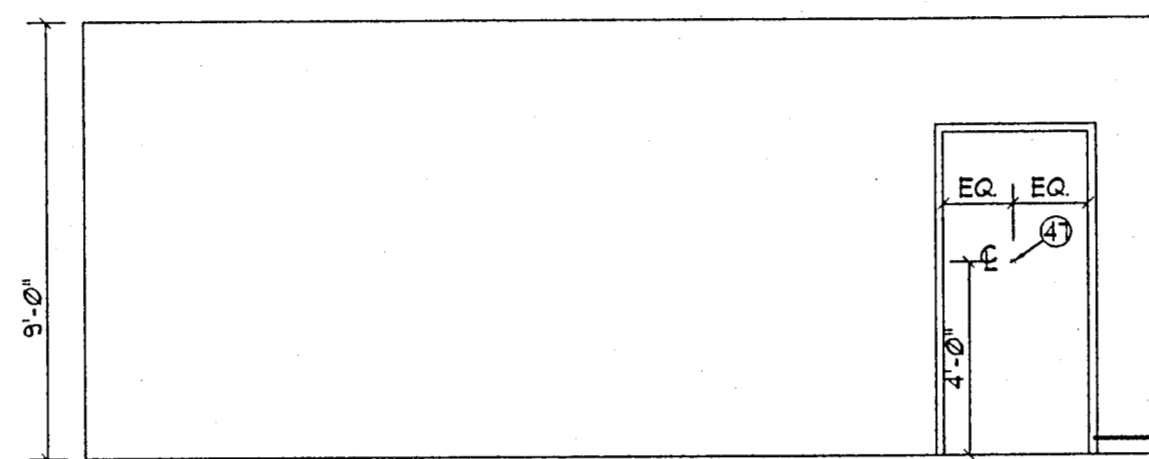
C TYPICAL SUITE ELEVATION
SCALE: 1/4" = 1'-0"



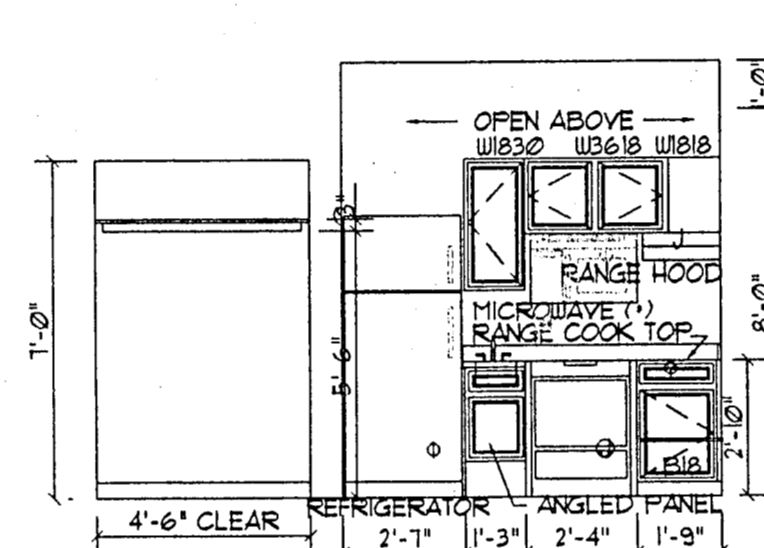
D TYPICAL SUITE ELEVATION
SCALE: 1/4" = 1'-0"



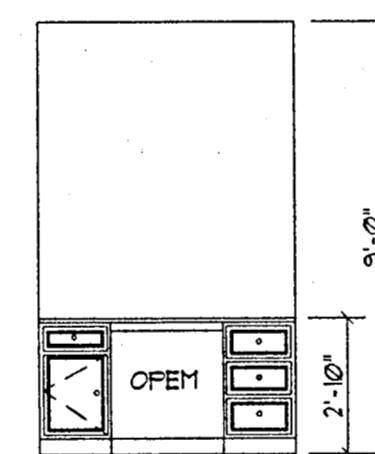
E TYPICAL SUITE ELEVATION
SCALE: 1/4" = 1'-0"



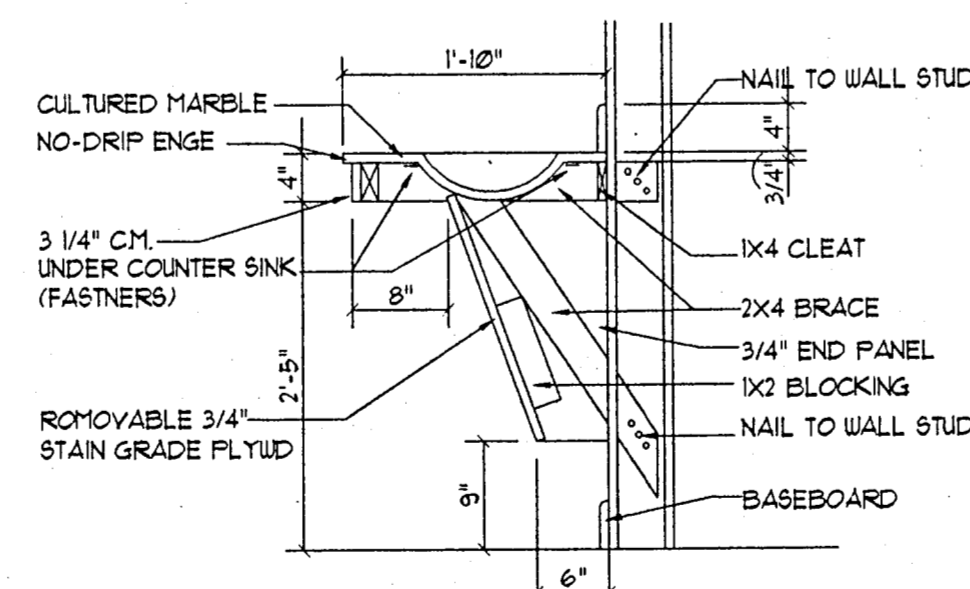
F TYPICAL SUITE ELEVATION
SCALE: 1/4" = 1'-0"



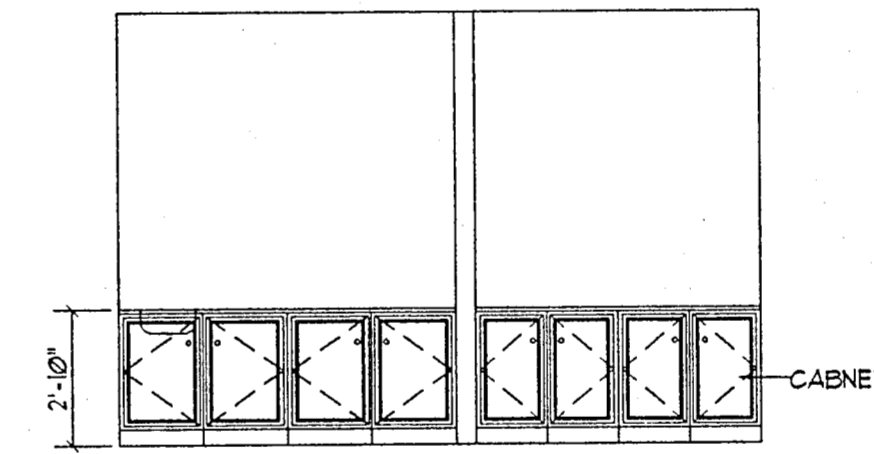
G TYPICAL SUITE ELEVATION
SCALE: 1/4" = 1'-0"



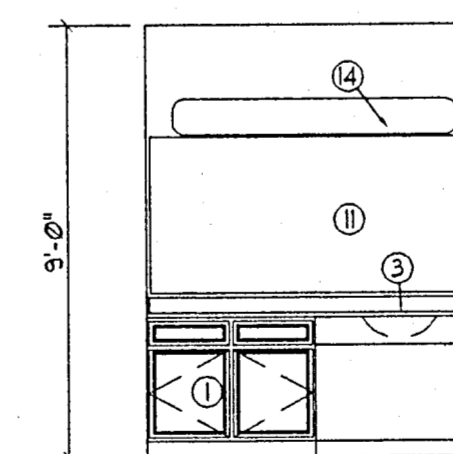
H BUSINESS CENTER
SCALE: 1/4" = 1'-0"



J HANDICAP VANITY
SCALE: 3/4" = 1'-0"



I LAUNDRY ROOM
SCALE: 1/4" = 1'-0"



K PUBLIC RESTROOM
SCALE: 1/4" = 1'-0"

INTERIOR MATERIAL LIST

- | | | |
|--|--|--------------------------------------|
| 1 BASE CABINETS | 11 TOILET TISSUE HOLDER | 31 2x6 WALL BLOCKING |
| 2 WALL CABINETS | 12 GRAB BAR: 42" LONG | 32 SLEEPER SOFA |
| 3 CULTURED MARBLE COUNTER TOP + BACKSPLASH | 13 GRAB BAR: 24" LONG | 33 FLOOR LAMP |
| 4 GYPSOBOARD W/TEXTURED FINISH | 14 HC MIRROR: 24" X 36" STAINLESS STEEL FRAMED MTD 40" AFF | 34 COFFEE TABLE |
| 5 WOOD BASE PAINTED | 15 ROBE HOOK: PROVIDE ONE ON BACK OF EACH BATHROOM DOOR | 35 HVAC WALL UNIT |
| 6 W/ GYP BD. WALLS W/ TEXTURE FINISH | 16 TOWEL ROD | 36 DRAPERIES - STACK TO THIS POINT |
| 7 WOOD TRIM PAINTED | 17 GRAB BAR: 42" LONG - 34" | 37 TELEVISION |
| 8 FLAST LAM COUNTER TOP - BULLNOSE EDGE | 18 GRAB BAR: 12" LONG - 34" | 38 HEAD BOARD |
| 9 VINYL COATED WIRE SHELVING | 19 GRAB BAR: 24" LONG - 34" | 39 QUEEN SIZE BED |
| 10 VINYL CTD WIRE SHELF + ROD | 20 MIRROR: 44 3/4" X 40" | 40 END TABLE |
| 11 SHOWER ROD | 21 LOAD CENTER - PAINT COVER TEXTURED TO MATCH WALL FINISH (TYP) REF. ELECT. | 41 DOOR STOP (PROVIDE BLOCKING) |
| 12 4" VINYL COVE BASE | 22 LIGHT FIXTURE | 42 GUEST ROOM FIRE ALARM MINI-HORN |
| 13 LIGHT FIXTURE | 23 CABINET DRAWERS - FINISH PANEL ON ALL SIDES | 43 SMOKE DETECTOR |
| 14 SEALANT BEAD | 24 COUNTER TOP + 4" SPLASH | 44 4" CARPET BASE |
| 15 CULTURED MARBLE SILL | | 45 STD. DOUBLE BED |
| 16 SHEET VINYL FLOOR SEAL JOINTS + TUB | | 46 T.V. ENCLOSURE - DET. A/A10 |
| | | 47 DOOR VIEWER |
| | | 48 DOOR STOP ON LOWER CORNER OF DOOR |
| | | 49 KING SIZE BED |
| | | 50 5'-0" X 7'-6" DESK |

- NOTES**
- ALL DIMENSIONS ARE TO FACE OF STUDS UNLESS NOTED OTHERWISE.
 - ALL MELANINE TOE KICKS SUPPLIED BY CABINET SUPPLIERS. ALL SUITE KITCHEN AND VANITY CABINETS ARE TO BE SHIPPED LOOSE AND INSTALLED IN THE FIELD.
 - PARTY WALL CONSTRUCTION IS PER PARTITION P1/A2
 - PROVIDE BLOCKING IN WALLS FOR TOWEL BARS AND ALL WALL MOUNTED ITEMS.
 - WHERE BACK TO BACK OUTLETS OCCUR, OFFSET 2" HORIZONTALLY.
 - REFERENCE 3/A4 FOR COUNTER OUTLETS/ TELEPHONE.
 - PROVIDE BOBRICK B-6631 TOILET PAPER HOLDER IN ALL BATHROOMS.

