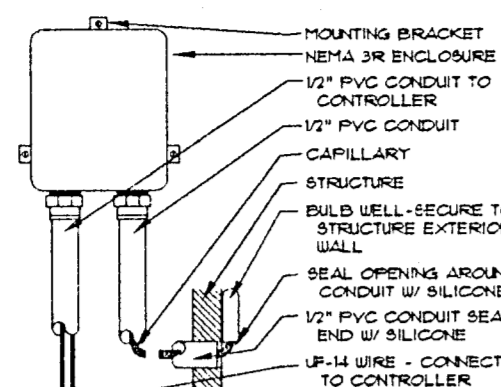
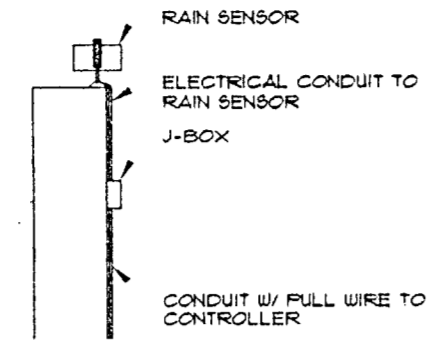


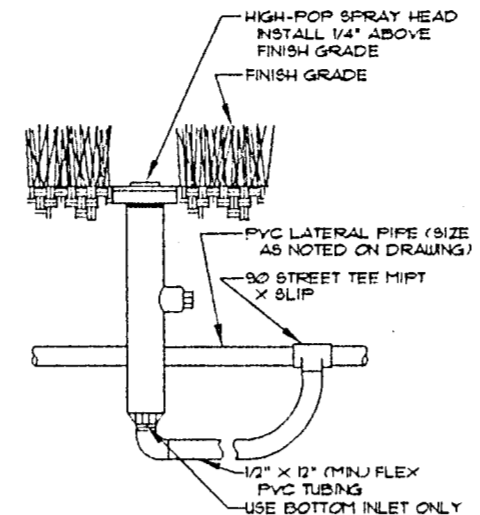
WALLMOUNT CONTROLLER



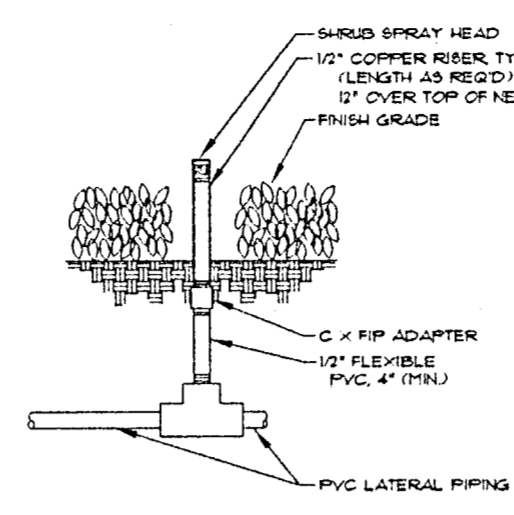
TEMPERATURE SENSOR



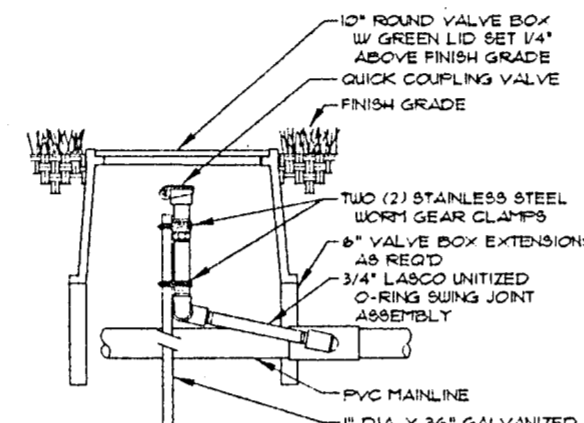
RAIN STAT



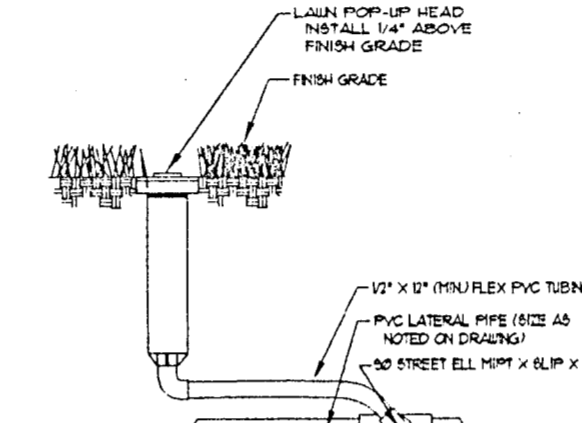
HIGH-POP SPRAY HEAD



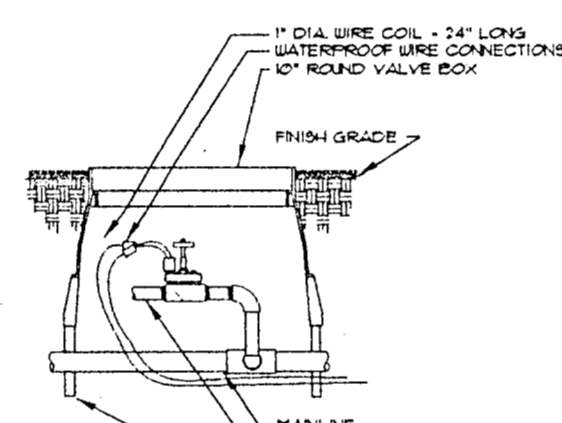
SHRUB SPRAY HEAD



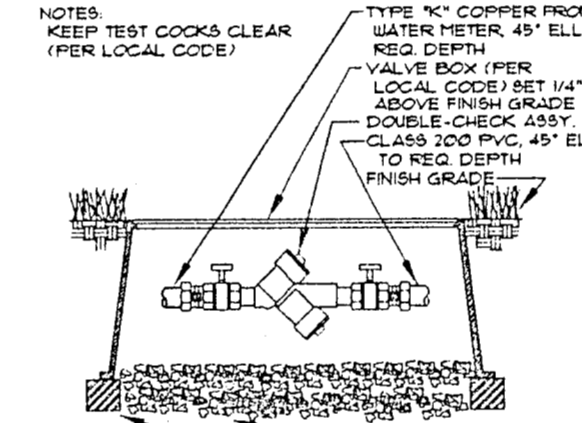
QUICK COUPLING VALVE



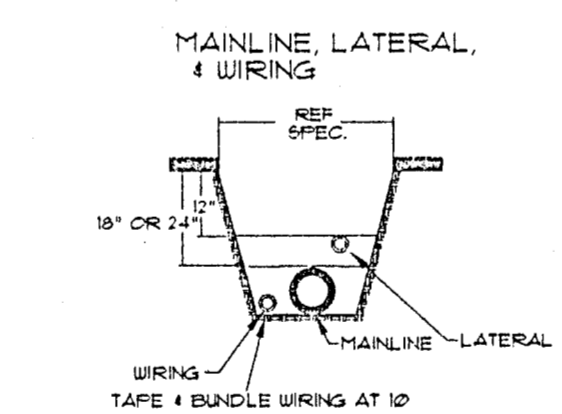
LAWN SPRAY HEAD



REMOTE CONTROL VALVE



BACKFLOW PREVENTER

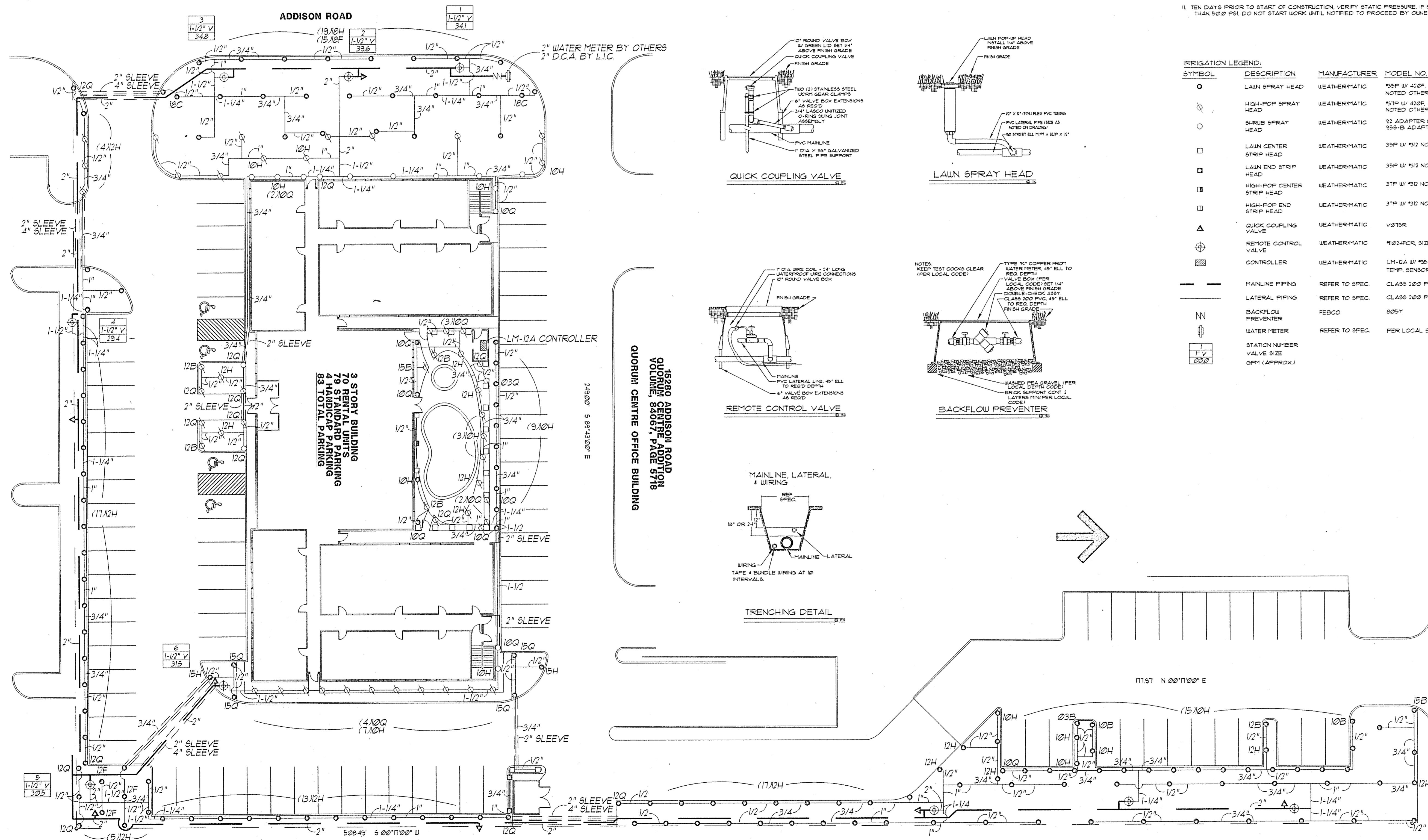


TRENCHING DETAIL

- NOTES:
- ALL 24 VOLT LEAD AND COMMON VALVE WIRING SHALL BE A MINIMUM OF UF-14 GA. SINGLE CONDUCTOR. REFER TO MANUFACTURER'S RECOMMENDATIONS FOR PROPER WIRE SIZE. WIRE SPLICES SHALL BE PERMISSIBLE AND WATERPROOF.
 - COORDINATE INSTALLATION OF IRRIGATION SYSTEM WITH LANDSCAPE CONTRACTOR TO ENSURE ALL PLANT MATERIAL WILL BE WATERED IN ACCORDANCE WITH THE INTENT OF THE PLANS AND SPECIFICATIONS.
 - LATERAL PIPING SHALL HAVE A MINIMUM OF 12" OF COVER MAINLINE AND PIPING UNDER PAVING SHALL HAVE A MINIMUM OF 18" OF COVER.
 - PIPING AND VALVES IN PAVING SHOWN FOR CLARITY, INSTALL IN ADJACENT PLANTING BED OR LAWN AREA.
 - CONNECT LAWN AND HIGH-POP SPRAY HEADS TO LATERAL PIPING WITH 1/2" FLEXIBLE PVC AND 1/2" SCH40S PVC FITTINGS AS REQUIRED. PER DETAIL SHOWN. USE WELD-ON 4" TEE SOLVENT AND #20'S FRAMER ON THESE CONNECTIONS.
 - INSTALL QUICK COUPLING VALVES IN TEN (10") INCH VALVE BOX PER DETAIL SHOWN. CONNECT QUICK COUPLING VALVES TO MAINLINE PIPE WITH LABCO "UNITIZED", O-RING BUNG JOINTS PER DETAIL SHOWN. #112-30 SUPPLY OWNER WITH ONE (1) COUPLER KEY WITH SWIVEL HOSE ELL, #20'S AND #20'S RESPECTIVELY.
 - INSTALL REMOTE CONTROL VALVES IN TEN (10") VALVE BOXES PER DETAIL SHOWN.
 - PERFORM ELECTRICAL WORK IN ACCORDANCE WITH LOCAL BUILDING CODE. POWER (120V) SHALL BE LOCATED IN A JUNCTION BOX WITHIN FIVE (5') FEET OF CONTROLLER LOCATION BY OTHER TRADES.
 - SLEEVES SHALL BE CLASS 200 PVC, SIZED AS NOTED ON PLANS AND INSTALLED BY OTHER TRADES.
 - ROUTE COMMON WIRE FROM CONTROLLER TO REMOTE SENSORS IN SERIES PRIOR TO CONNECTING TO REMOTE CONTROL VALVES.
 - TEN DAYS PRIOR TO START OF CONSTRUCTION, VERIFY STATIC PRESSURE. IF STATIC PRESSURE IS LESS THAN 50 PSI, DO NOT START WORK UNTIL NOTIFIED TO PROCEED BY OWNER. DESIGN PRESSURE IS 43.6 PSI.

IRRIGATION LEGEND:

SYMBOL	DESCRIPTION	MANUFACTURER	MODEL NO.
○	LAWN SPRAY HEAD	WEATHERMATIC	35P W/ 420F, 420H, OR 420Q NOZZLES UNLESS NOTED OTHERWISE
○	HIGH-POP SPRAY HEAD	WEATHERMATIC	37P W/ 420F, 420H, OR 420Q NOZZLES UNLESS NOTED OTHERWISE
○	SHRUB SPRAY HEAD	WEATHERMATIC	32 ADAPTER W/ 120H OR 120Q NOZZLES OR R155S 35S-B ADAPTER W/ 420F NOZZLE UNLESS NOTED OTHERWISE
□	LAWN CENTER STRIP HEAD	WEATHERMATIC	35P W/ 132 NOZZLE
□	LAWN END STRIP HEAD	WEATHERMATIC	35P W/ 132 NOZZLE
□	HIGH-POP CENTER STRIP HEAD	WEATHERMATIC	37P W/ 132 NOZZLE
□	HIGH-POP END STRIP HEAD	WEATHERMATIC	37P W/ 132 NOZZLE
⊕	QUICK COUPLING VALVE	WEATHERMATIC	V215R
⊕	REMOTE CONTROL VALVE	WEATHERMATIC	#102-PCR, SIZED AS SHOWN
⊕	CONTROLLER	WEATHERMATIC	LM-12A W/ #950 RAINSTAT AND PENN A-18-ANG-1 TEMP. SENSOR
—	MAINLINE PIPING	REFER TO SPEC.	CLASS 200 PVC
—	LATERAL PIPING	REFER TO SPEC.	CLASS 200 PVC
N	BACKFLOW PREVENTER	FEBCO	805Y
⊕	WATER METER	REFER TO SPEC.	PER LOCAL BUILDING CODE
⊕	STATION NUMBER		
⊕	VALVE SIZE		
⊕	GPM (APPROX.)		

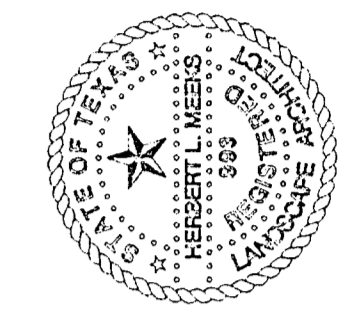


SUMMERFIELD SUITES PARKING LOT

IRRI-TECH CORPORATION

DESIGN DEPARTMENT
12650 SCHROEDER RD.
DALLAS, TEXAS 75243
(972)231-9181 FAX:(972)231-9172

PROJECT NAME MAINSTAY SUITES
PROJECT NUMBER RIL-005
REVISIONS 01/23/98



MAINSTAY SUITES
ADDISON, TEXAS

PROJECT NAME MAINSTAY SUITES
ADDISON, TEXAS
M.D.G. MEEBS DESIGN GROUP
1100 CENTENNIAL BLVD. #120
RICHARDSON, TEXAS 75081
(972)690-7474
FAX (972)690-7879

TITLE IRRIGATION
DATE 03/23/98
SCALE 1"=30'-0"
SHEET