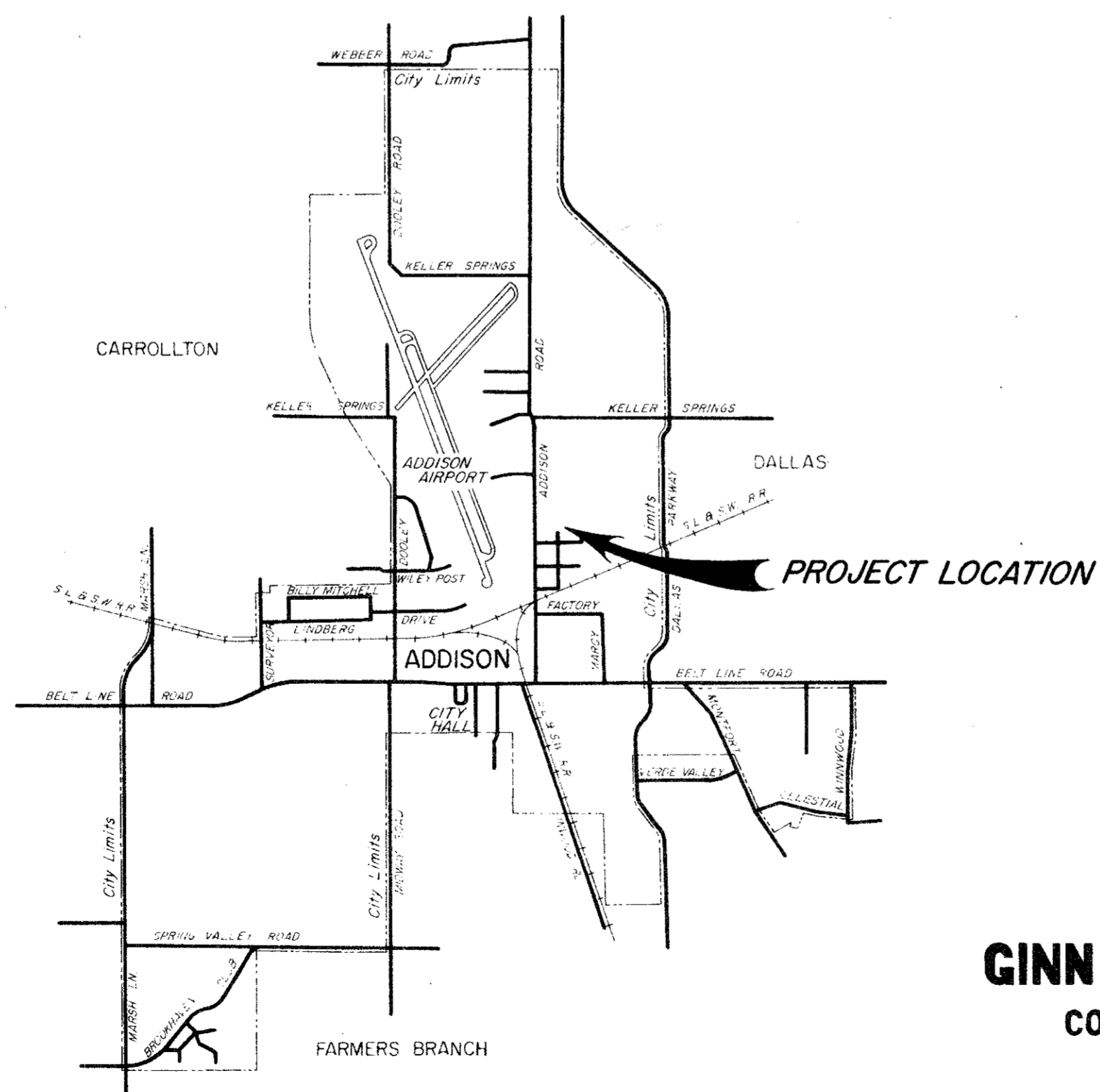


CITY OF ADDISON DALLAS COUNTY, TEXAS

CONSTRUCTION PLANS FOR: ONE MILLION GALLON ELEVATED STORAGE TANK



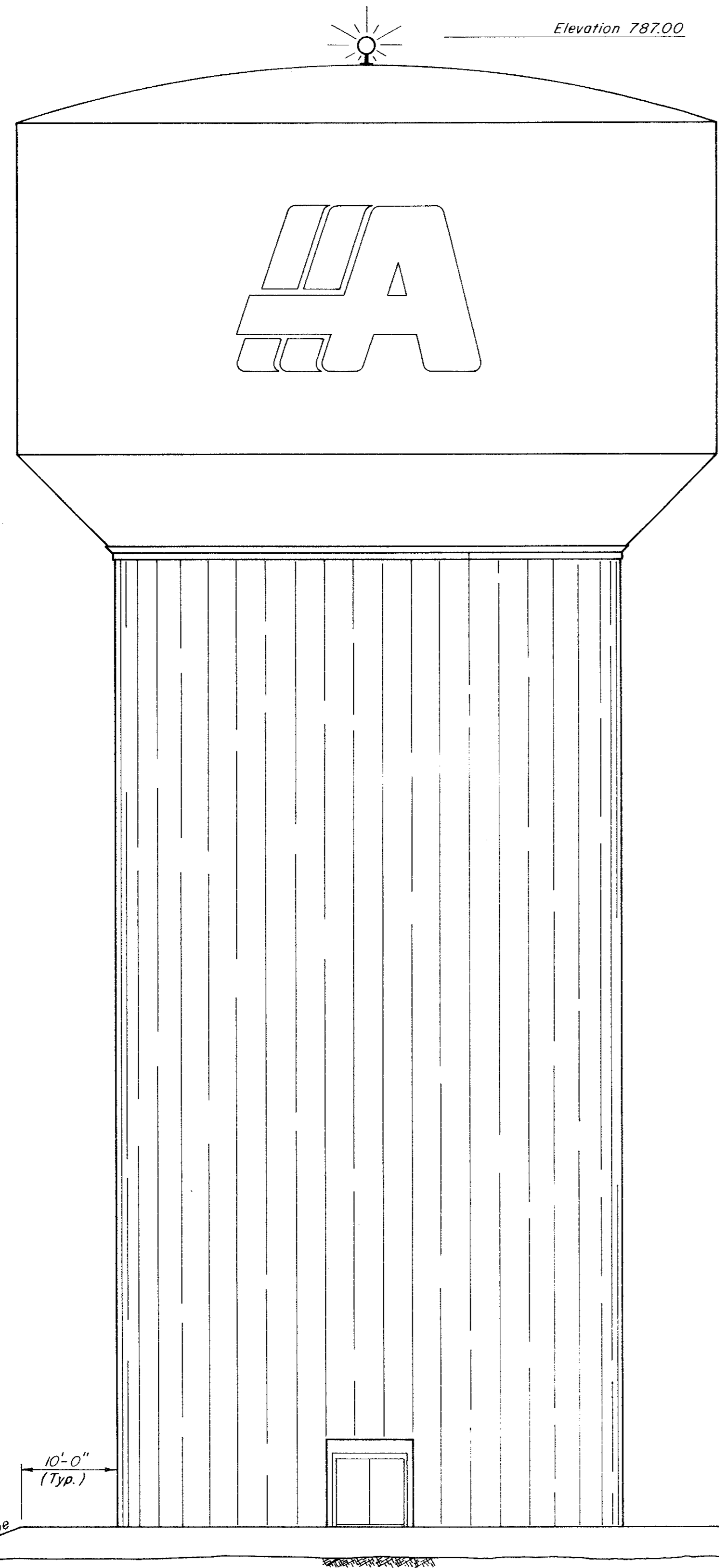
JERRY J. REDDING - MAYOR
COUNCILMEN:

JOHN B. ALLEN
RICHARD RODER
WILLIAM F. SELLMAYER
A. E. MARCY
TERRY ROBERTS

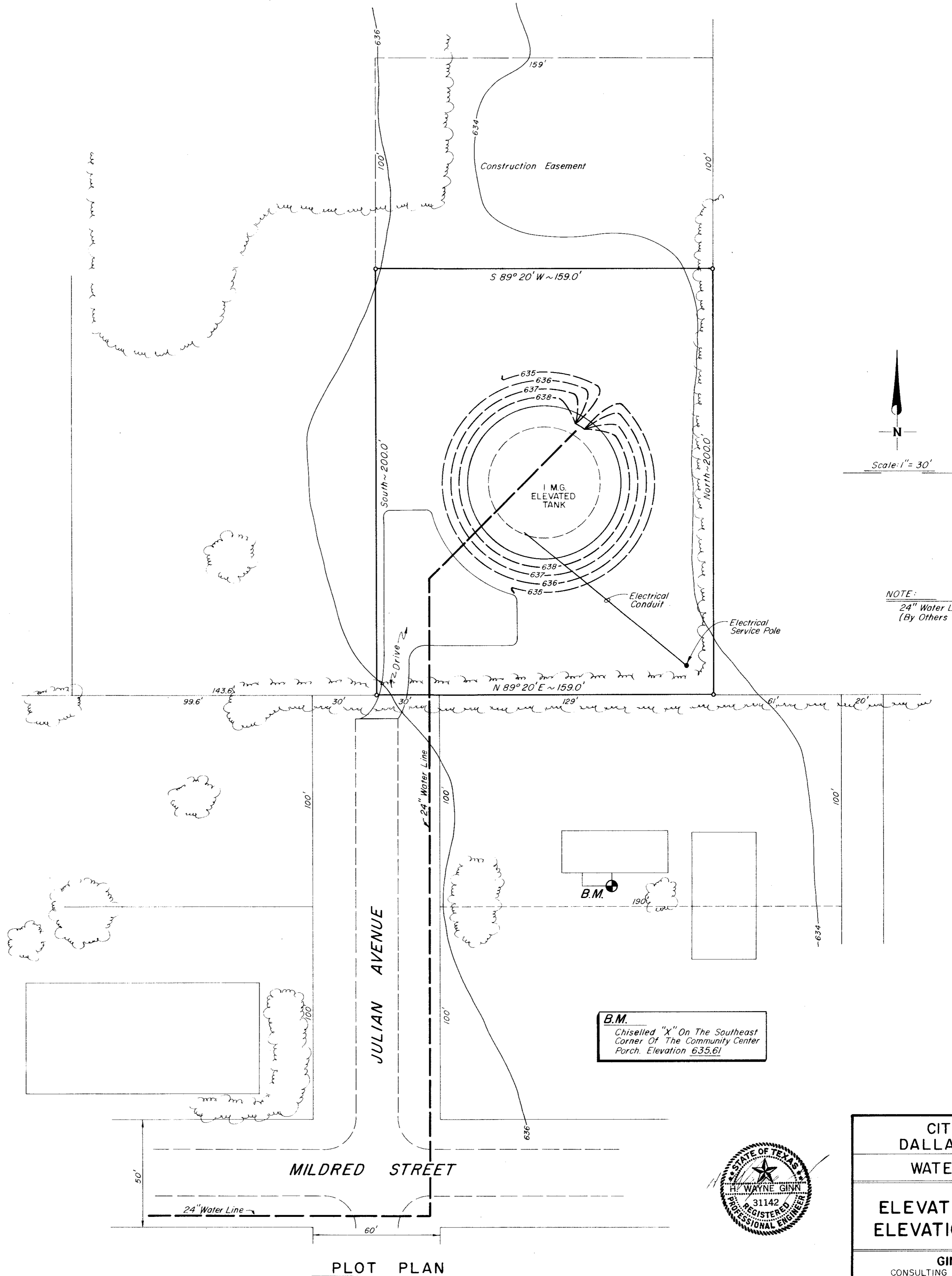
C. J. WEBSTER - CITY ADMINISTRATOR

GINN & STACY, INC.
CONSULTING ENGINEERS
DALLAS, TEXAS
1977

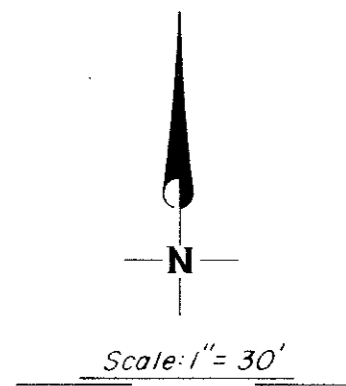




ELEVATION
No Scale



PLOT PLAN

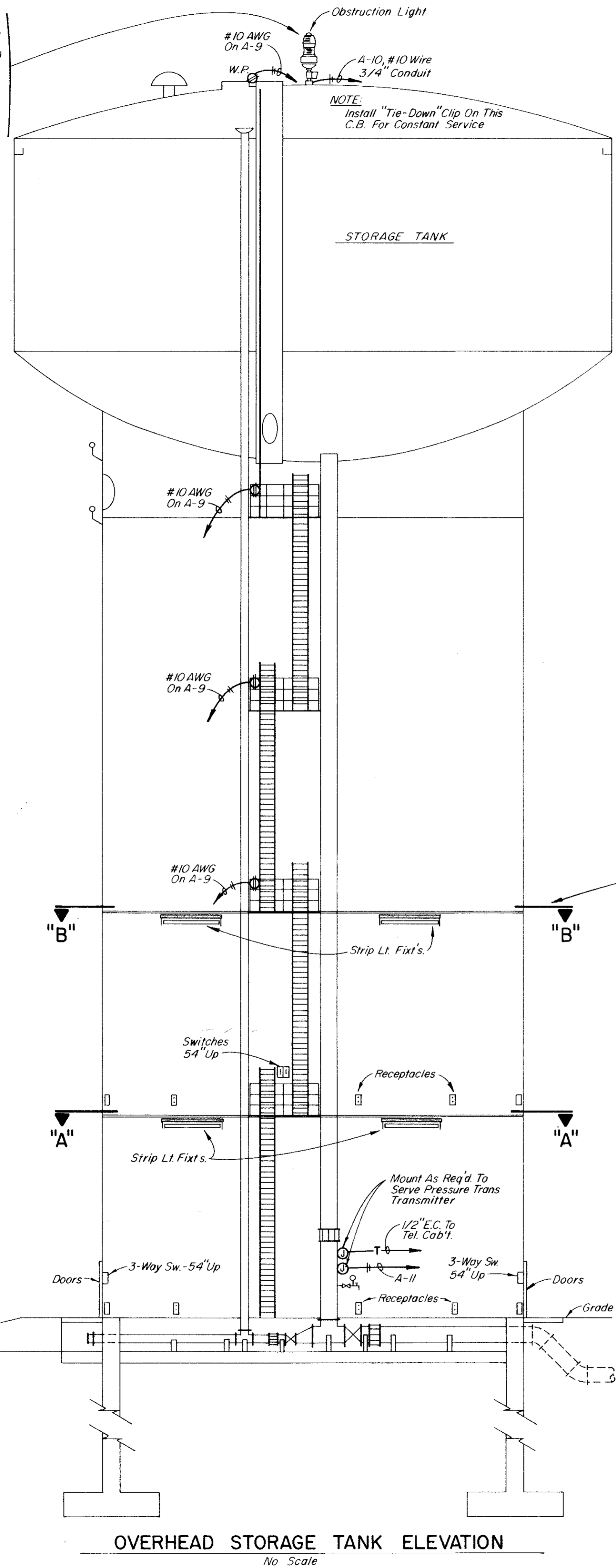
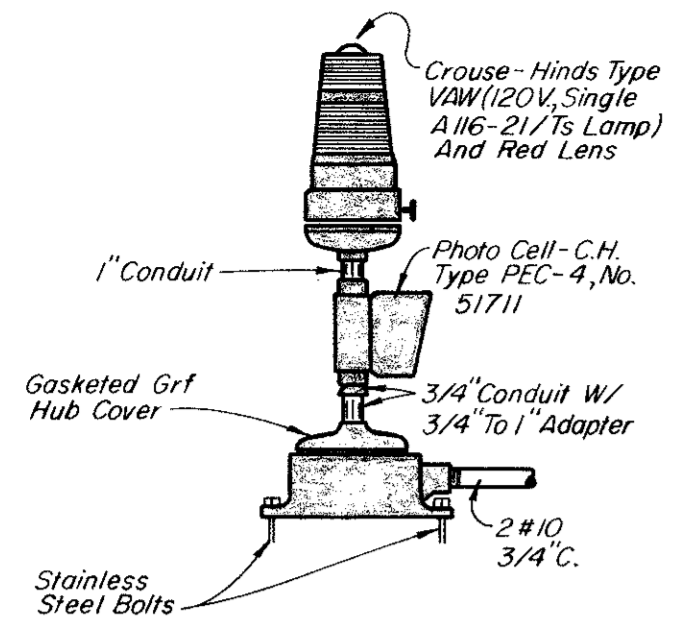


NOTE:
24" Water Line And Drive
(By Others Contract No. III)

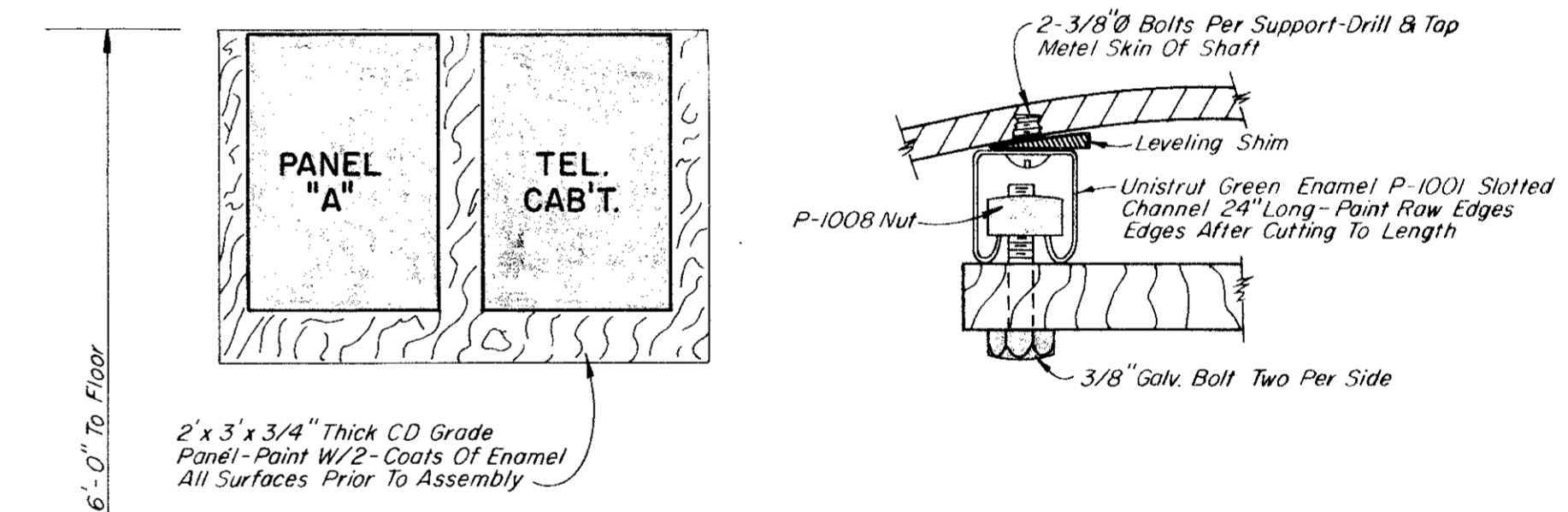
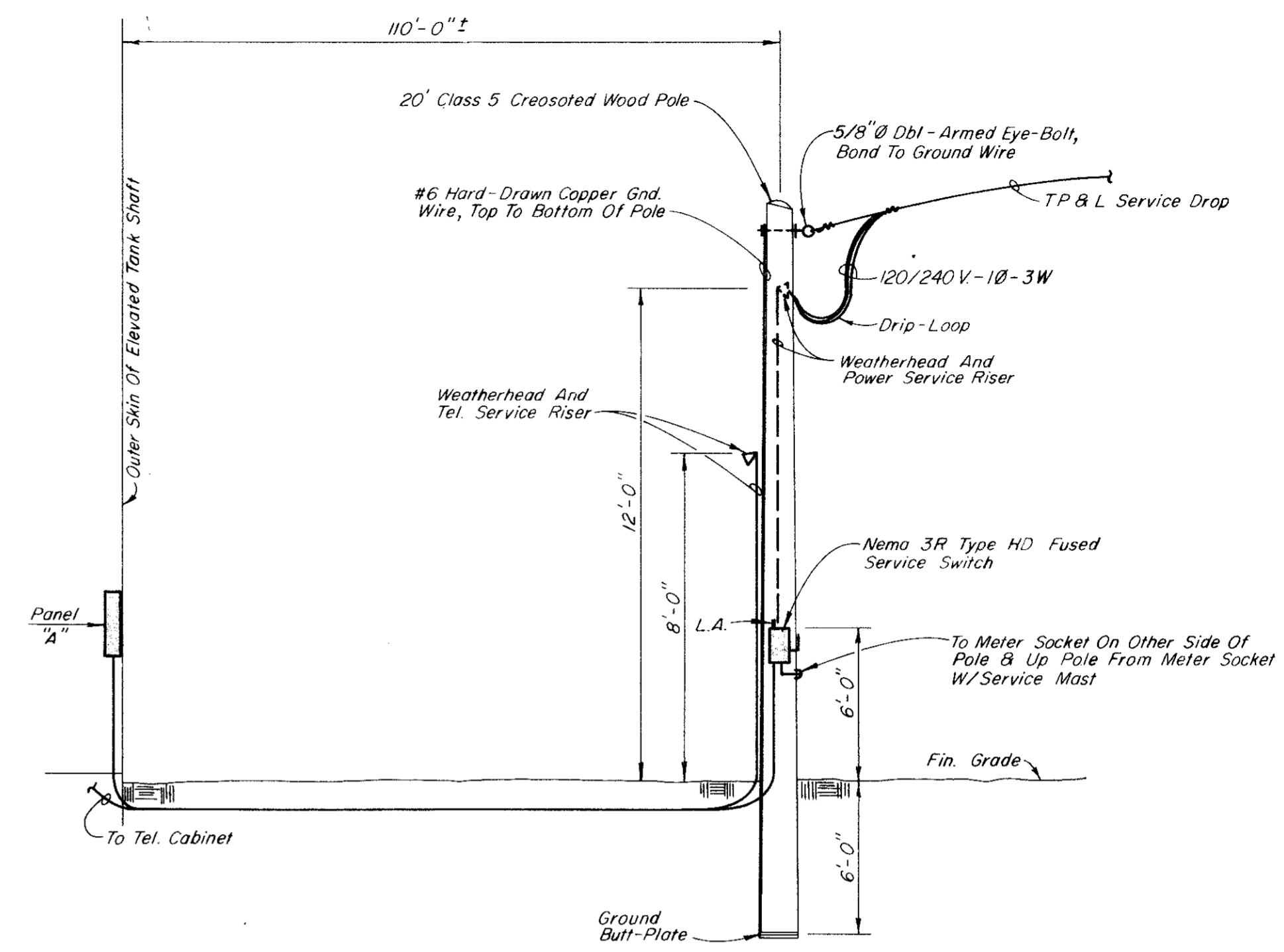
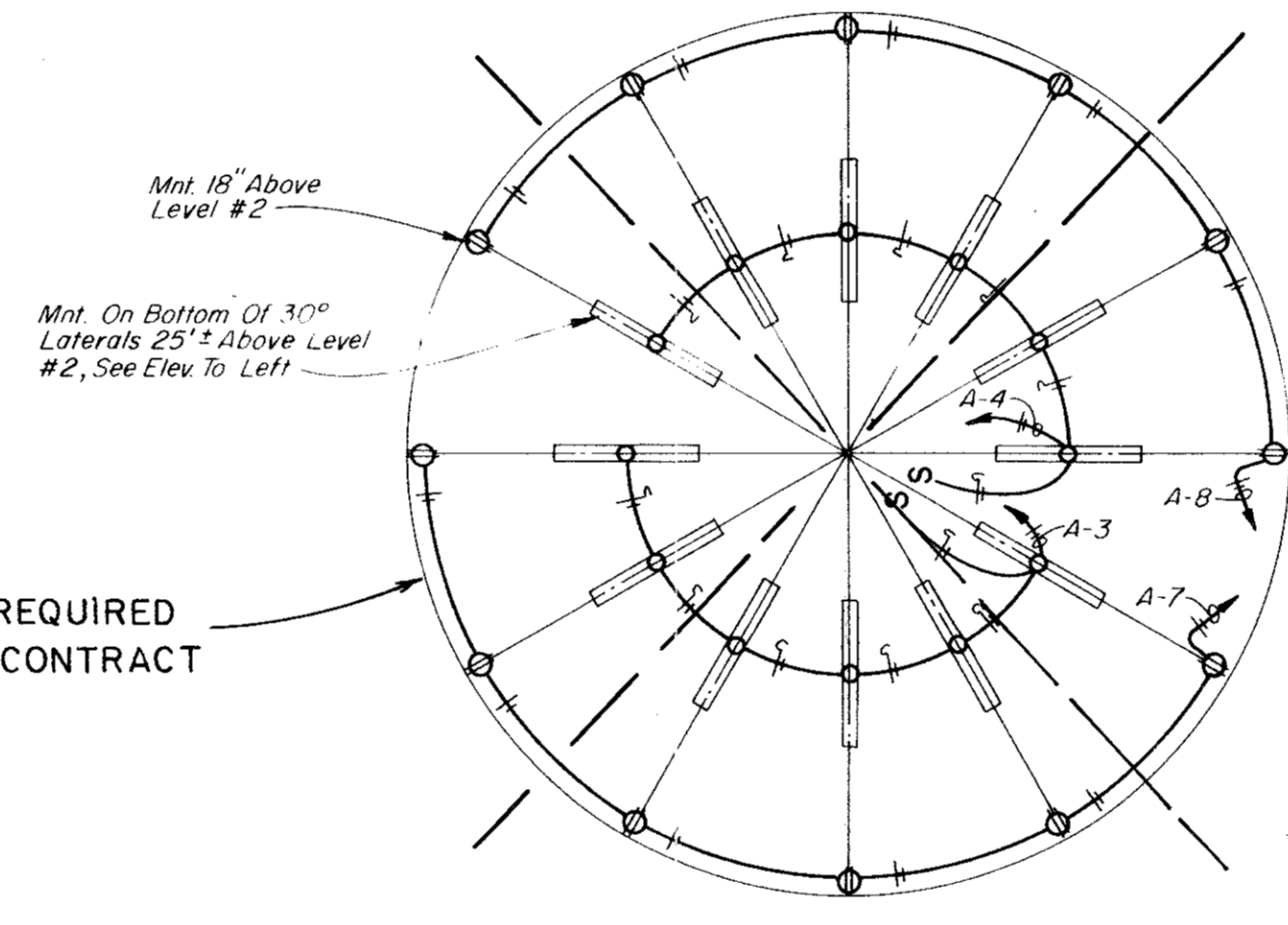
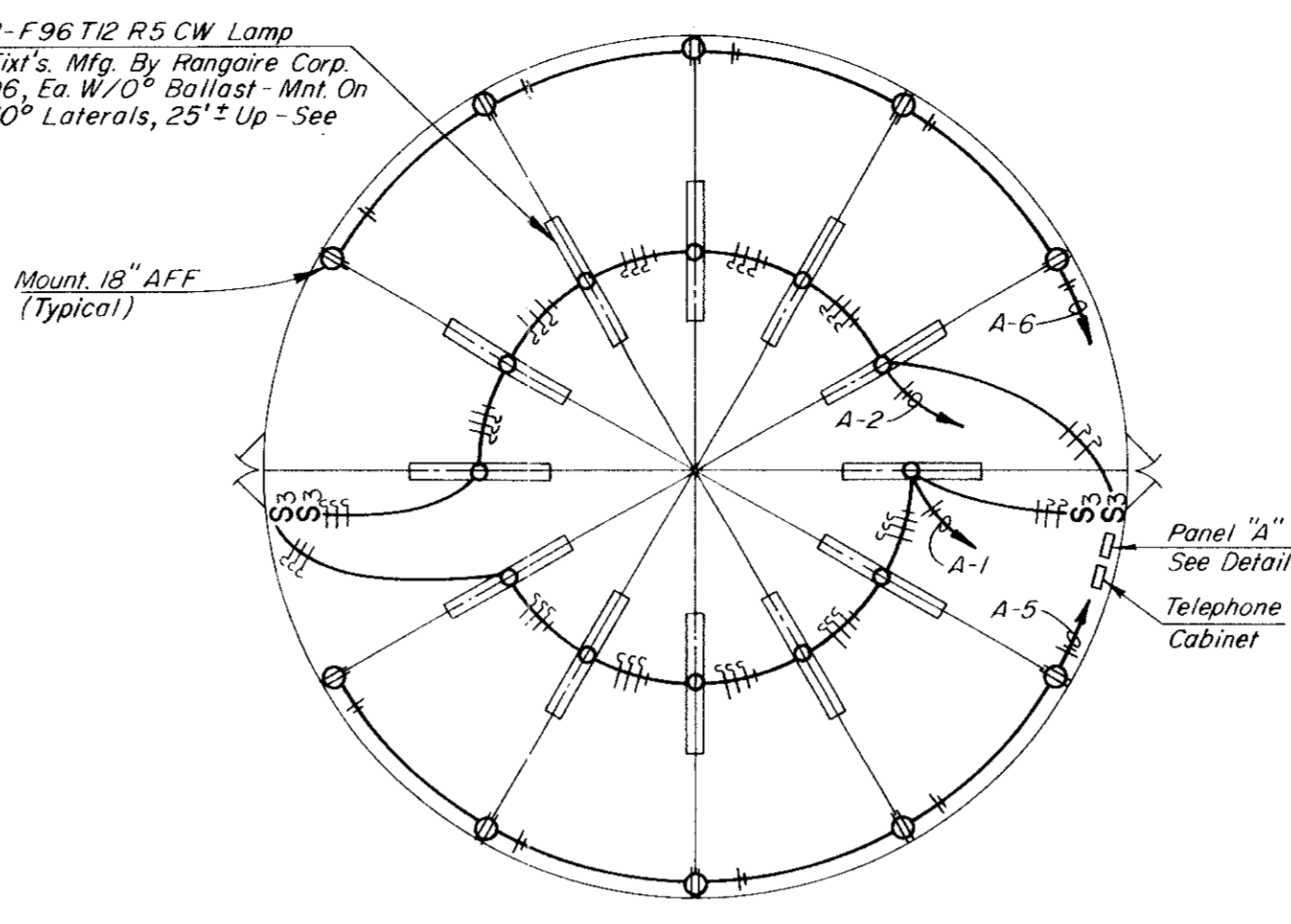
B.M.
Chiselled "X" On The Southeast
Corner Of The Community Center
Porch. Elevation 635.61



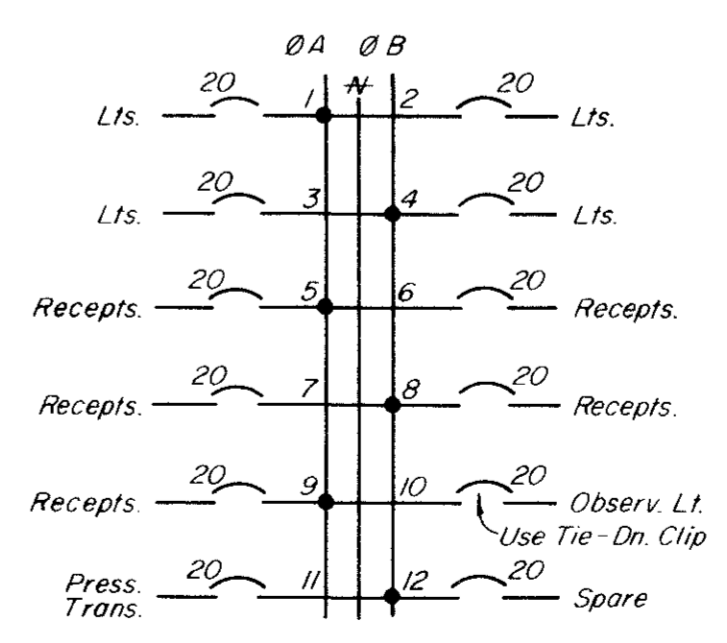
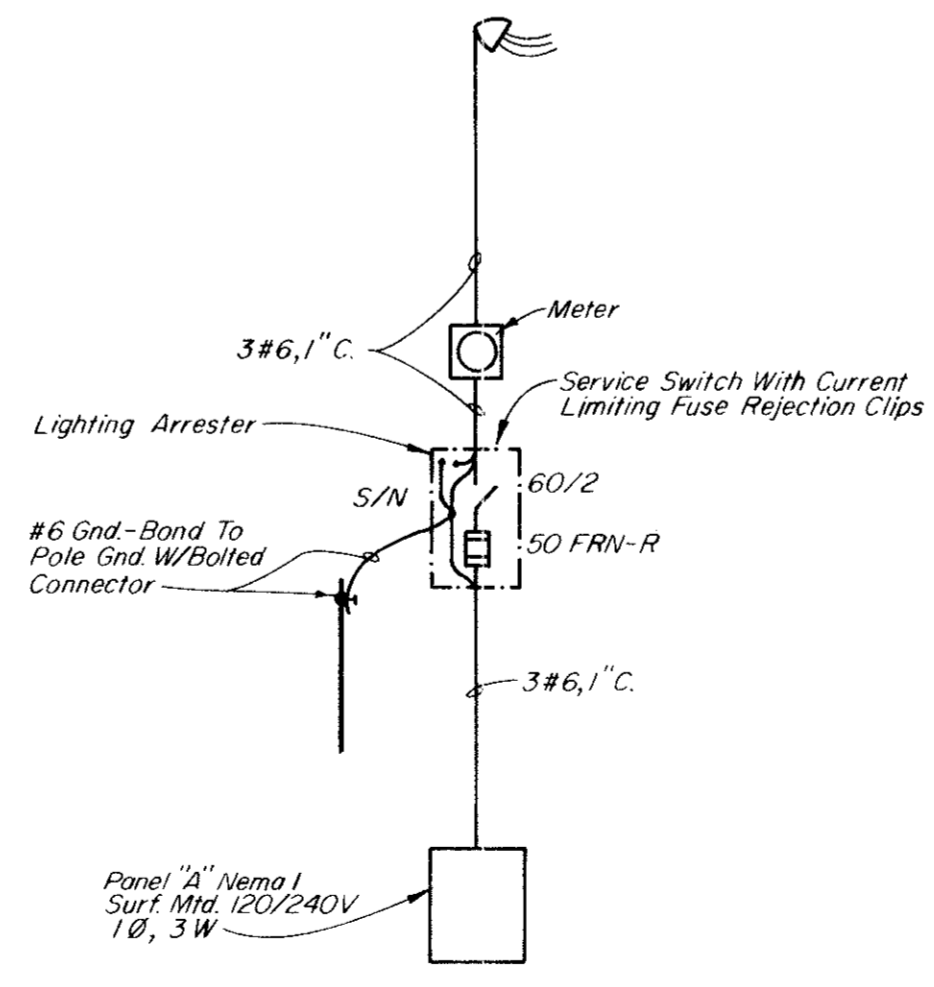
CITY OF ADDISON DALLAS COUNTY, TEXAS	
WATER IMPROVEMENTS	
ELEVATED STORAGE TANK ELEVATION AND PLOT PLAN	
GINN & STACY, INC. CONSULTING ENGINEERS — DALLAS, TEXAS	
Designed By: H.W.G.	Scale: As Shown
Drawn By: J.D.M.	Date: 1977
Sheet 2 of 4	



Strip Lt. W/2-F96 T12 R5 CW Lamp
Typ. For 24 Fixt's. Mfg. By: Rangaire Corp.
Cat. No. S-296, Ea. W/O Ballast - Mnt On
Bottom Of 30° Laterals, 25° Up - See
Elev. To Left



- LEGEND**
- Fluorescent Lt. Fixt.
 - ⊕ Duplex Receptacle - 15 A, 125 V.
 - S Switch, SPST
 - S₃ Switch, 3-Way
 - ⊕ Junction Box
 - Circuit Feeder, Neut., Hot & Switch Leg
 - Home Run To Panel



CITY OF ADDISON
DALLAS COUNTY, TEXAS
WATER IMPROVEMENTS
ELECTRICAL PLAN & DETAILS

GINN & STACY, INC.
CONSULTING ENGINEERS DALLAS, TEXAS
Designed By: C.R.M. Scale: None
Drawn By: W.G.A. Date: 4-26-77 Sheet 4 of 4