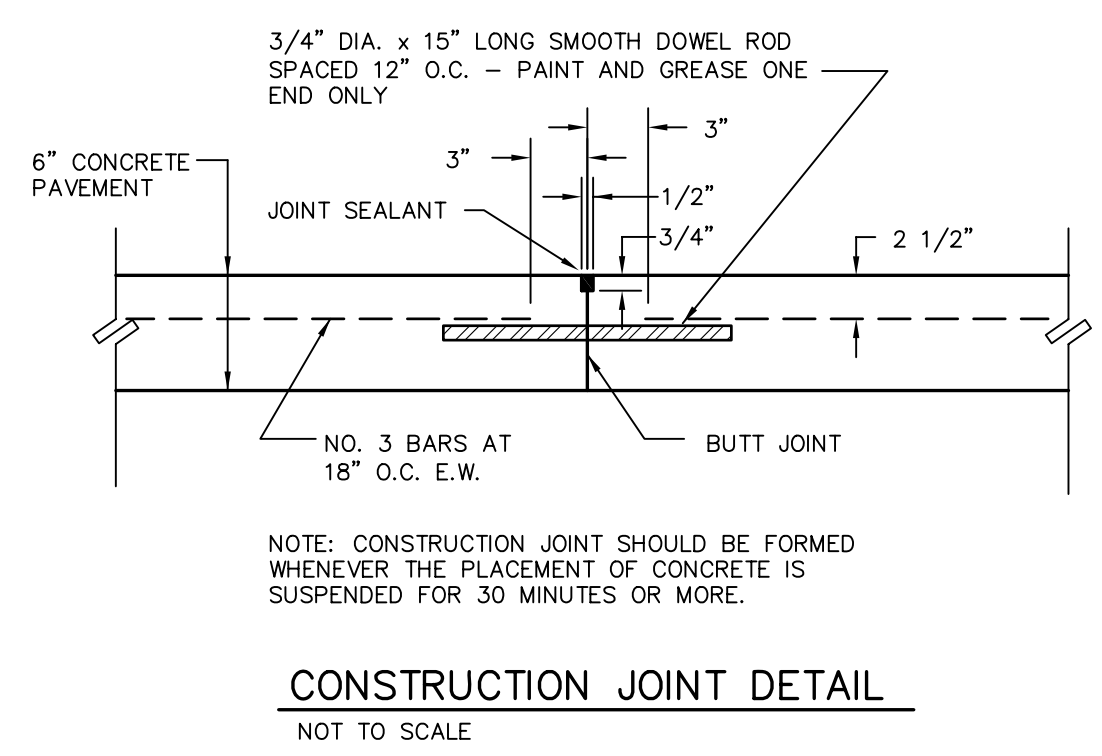
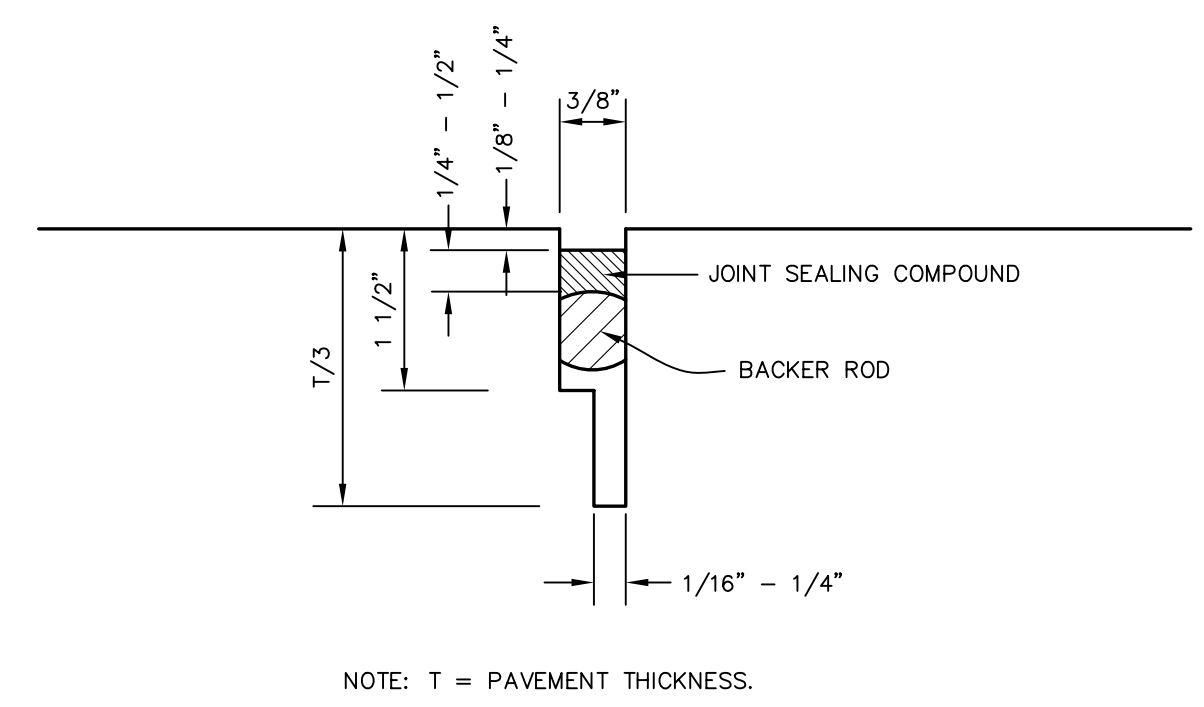


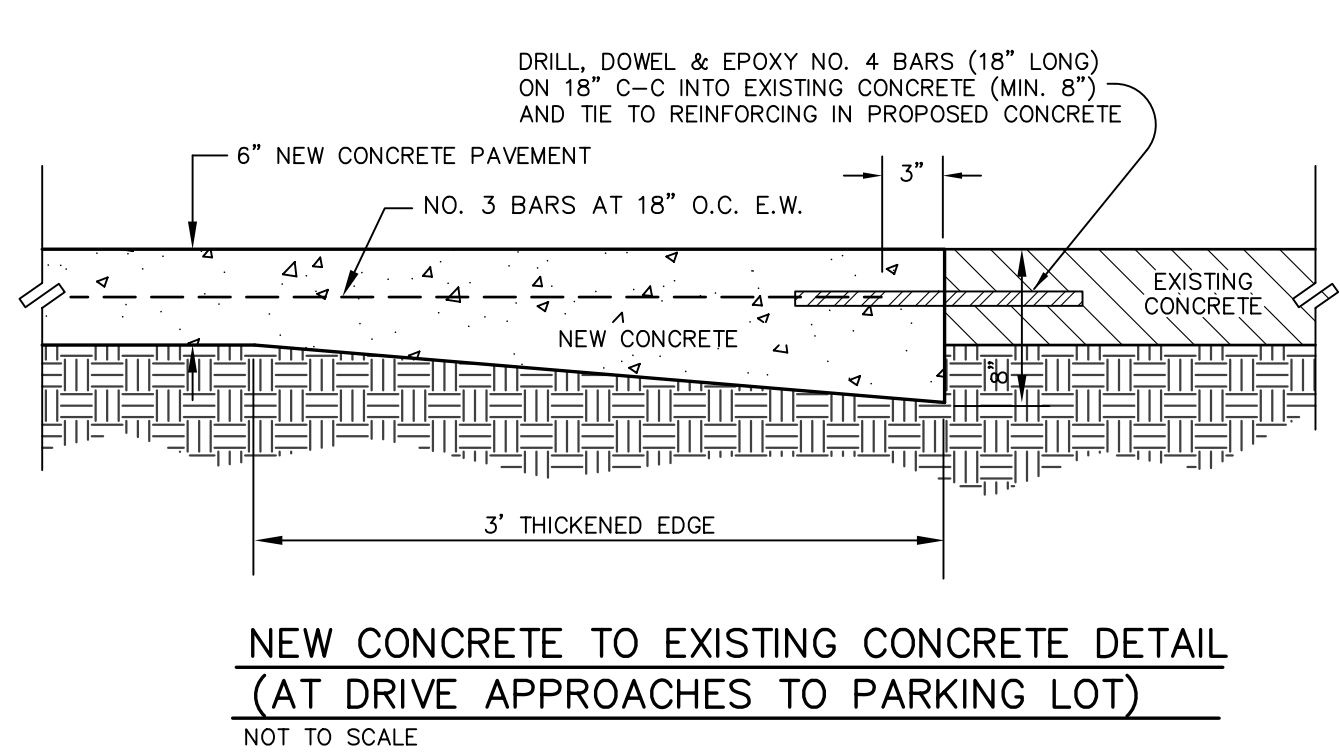
EXPANSION JOINT AT STRUCTURE DETAIL
NOT TO SCALE



CONSTRUCTION JOINT DETAIL
NOT TO SCALE



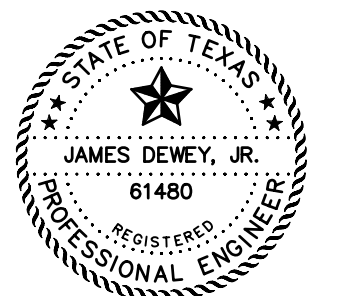
NOTE: T = PAVEMENT THICKNESS.
SAWED CONTRACTION JOINT DETAIL
NOT TO SCALE



NEW CONCRETE TO EXISTING CONCRETE DETAIL
(AT DRIVE APPROACHES TO PARKING LOT)
NOT TO SCALE

"AS-BUILT"
THIS AS-BUILT DRAWING IS BASED ON INFORMATION OBTAINED FROM BUILDING CONTRACTORS DURING CONSTRUCTION AS PROVIDED TO JDJR ENGINEERS & CONSULTANTS, INC. JDJR ENGINEERS & CONSULTANTS, INC. DOES NOT GUARANTEE THE ACCURACY OR COMPLETENESS OF THESE RECORDS.

REVISIONS:	
9/11/09	PER CITY REVIEW
9/23/09	PER CITY REVIEW
5/18/10	AS BUILT



LEGEND

- SAWED CONTRACTION JOINT
- [Hatched Box] PROPOSED CONCRETE PAVEMENT
- [Dotted Box] PROPOSED CONCRETE WALK

SHEET TITLE:
PAVEMENT JOINT PATTERN PLAN
PAVING AND DRAINAGE IMPROVEMENTS
15841 ADDISON ROAD
ADDISON AIRPORT
ADDISON, TEXAS

PREPARED BY:
JDJR ENGINEERS AND CONSULTANTS
TSBPE REGISTRATION NUMBER F-8527

ENGINEERS • SURVEYORS • LAND PLANNERS
2500 Texas Drive Suite 100 Irving, Texas 75062
Tel 972-252-5357 Fax 972-252-8958

DATE: DEC. 2, 2008 DRAWN BY: SAS SHEET NO.
SCALE: 1" = 20' CHECKED BY: JDJR **C3C** OF 7