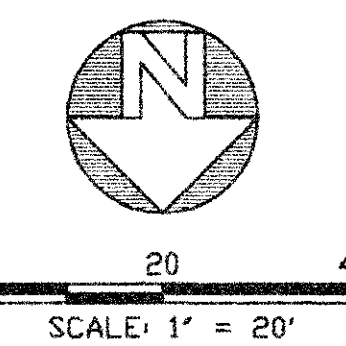
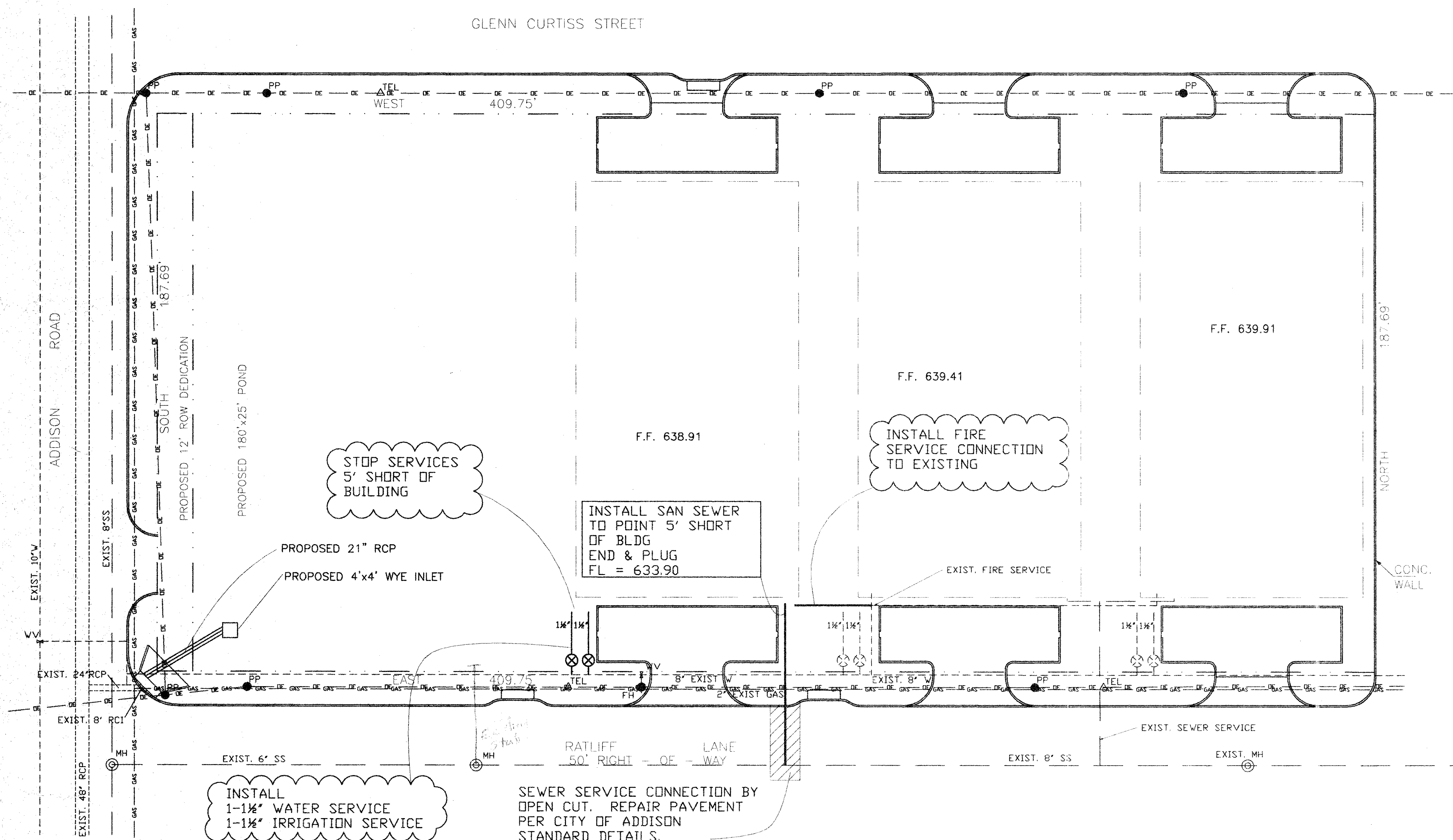


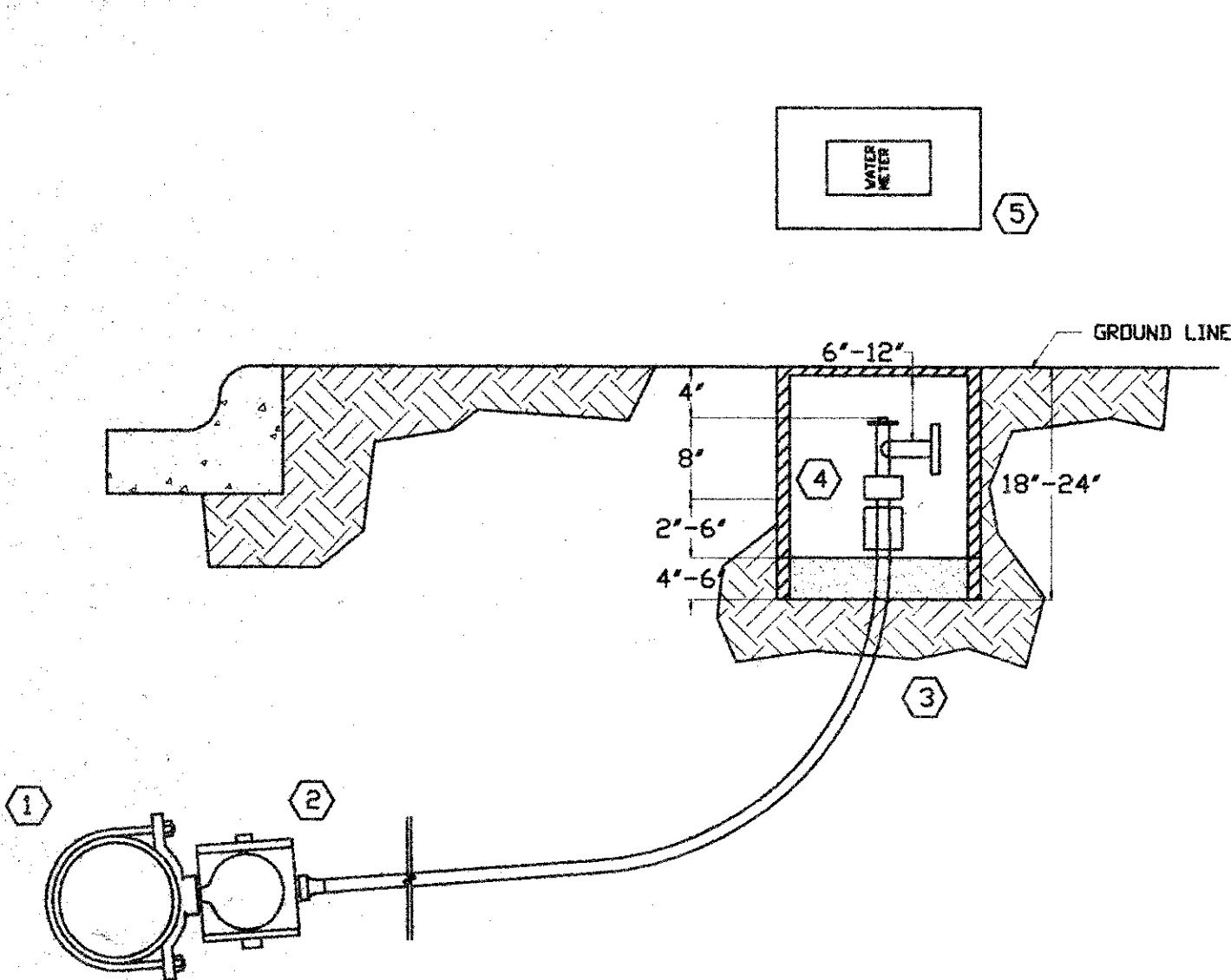
GLENN CURTISS STREET



- LEGEND**
- WV = WATER VALVE
  - FH = FIRE HYDRANT
  - MH = MANHOLE
  - GAS = LONE STAR GAS LINE
  - STS = STORM SEWER
  - W = WATERLINE
  - PP = POWER POLE
  - TEL = TELEPHONE LINE MARKER
  - SS = SANITARY SEWER
  - OE = OVERHEAD ELECTRIC

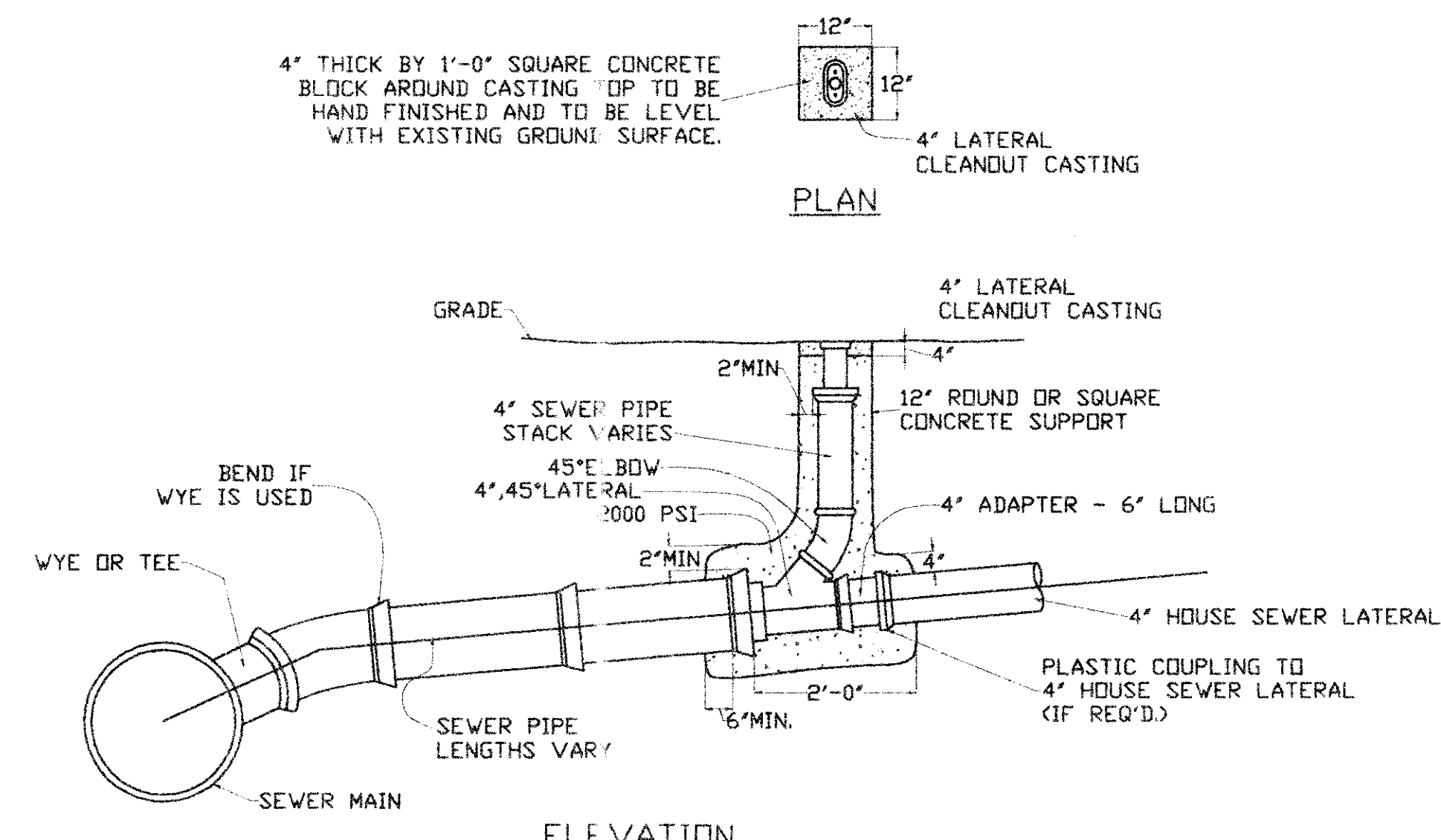


**WATER AND SEWER PLAN**



**COPPER SERVICE CONNECTION WITH METER BOX DETAILS**

- TOWN OF ADDISON  
3/4" - 2" WATER SERVICE  
APPROVED MATERIALS and PROCEDURES
- Double-strap bronze tapping saddle with CC. (AWWA taper) threads; Mueller #BR2B, Ford #202B, or McDonald #3825.
  - Corporation stop with AWWA taper thread (CC) by conductive compression Connection: Mueller H-15013 or B25008 (1.5", 2"), Mueller H-15009 or H-25008n(3/4", 1"), Ford FB 1000 or F1000 (1.5", 2", -6-G, respectively), (3/4", 1", -3-G, -4-G, respectively), McDonald 4701T or 4701BT.
  - Pipe and meter size shall be determined by owner with approval of Building Inspection or Public Works/Engineering Departments. Piping shall be continuous type "K" copper from corporation to curb stop.
  - 90 degree angle curb stop with lock-wing; Mueller H-14277 or B24276 (1.5", 2"), Ford KV43-66W-G or FV43-77W-G (1.5", 2"), Mueller H-14277 or B24258 (3/4", 1"), Ford KV43-332W-G or KV43-444W-G (3/4", 1"), McDonald 4646BT or 4606BT. All companion flanges (1.5", 2") shall be brass.
  - Meter boxes shall be of sufficient size to accommodate the curb stop, meter, and all connections. They shall have a cover with reader lid. Boxes may be stacked to achieve sufficient depth (see "B&C" above).
  - In-line curb-stops, meter yokes/setters, and/or meter risers may be considered on a case by case basis dependent on situation and subject to approval of Utility Inspector and/or Utility Foreman. **No hand valves will be allowed on the inlet side of the meter.**
  - The type of Backflow Prevention Assembly required shall depend upon the degree of hazard or potential hazard which exists. See Utility Rules for further information.
  - The tapping saddle and corporation stop must be poly-wrapped (8 mil) and hand backfilled with sand to a depth of 12". Additional backfill may be done by machine, with material free of rocks and clods exceeding three (3) inches in diameter. **CAUTION! Inspection must be called for and completed prior to backfill, or top must be re-exposed by the contractor so that inspection may be completed by the Town's representative.**
  - Tap Fees: 3/4" = \$50.00      1" = \$100.00      1.5" = \$150.00      2" = \$400.00
- Lawn irrigation sprinklers are exempt from tap fees.  
Connection to an existing service will require a \$35.00 connection fee.



**ELEVATION**

ALL PVC SANITARY SEWER PIPE TO BE SDR WITH INTEGRAL BELL. IT SHALL BE THE RESPONSIBILITY OF THE CONTRACTOR TO FIELD LOCATE HORIZONTALLY EACH 4" SERVICE IN RELATION TO SANITARY SEWER STATIONING.

FIELD TIES ARE TO BE INCLUDED AND RECORDED ON ALUMINIZED SANITARY SEWER TAPE. THIS TAPE, GREEN OR RED IN COLOR, IS TO BE ATTACHED TO THE 4" SERVICE AT THE ROW LINE AND BROUGHT TO THE SURFACE TO BE USED AS A PERMANENT MARKER.

DESIGNED BY: O.E.      DRAWN BY: O.E.

NOTE AND REVISIONS  
5/10/99 ADDED GRADING/PAVING FOR BLDGS. 2 & 3

FOR CONSTRUCTION

SEAL

**O'Brien Engineering**  
13016 Bee Street, Suite 202  
Farmers Branch, TX 75234  
Ph: 972 241-0336  
F: 972 241-0370

PREPARED BY:

**IF STONE PROJECT PROPOSED FACILITIES WATER AND SEWER PLAN AND DETAILS**

ADDISON, TX

DATE: 8/18/98

O.E. JOB NO. 1309801

SHEET NO. 7

OF 8 SHEETS