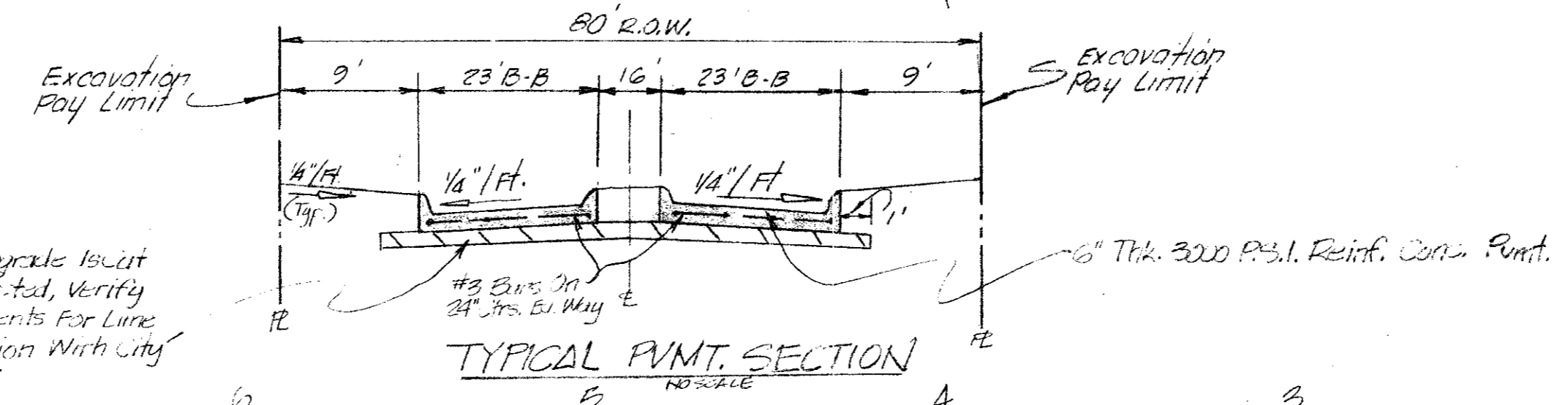
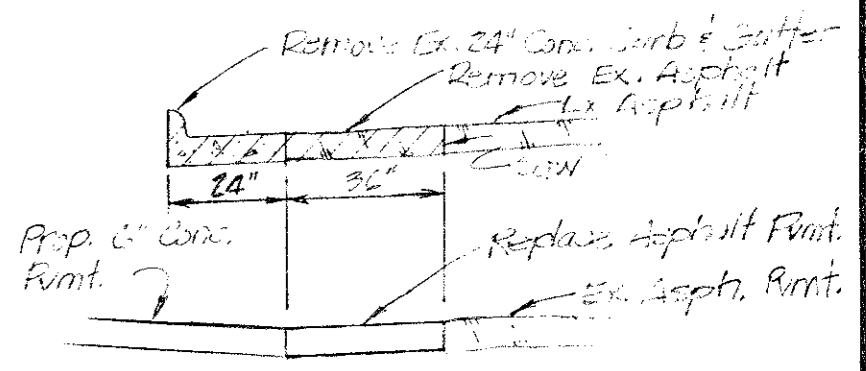
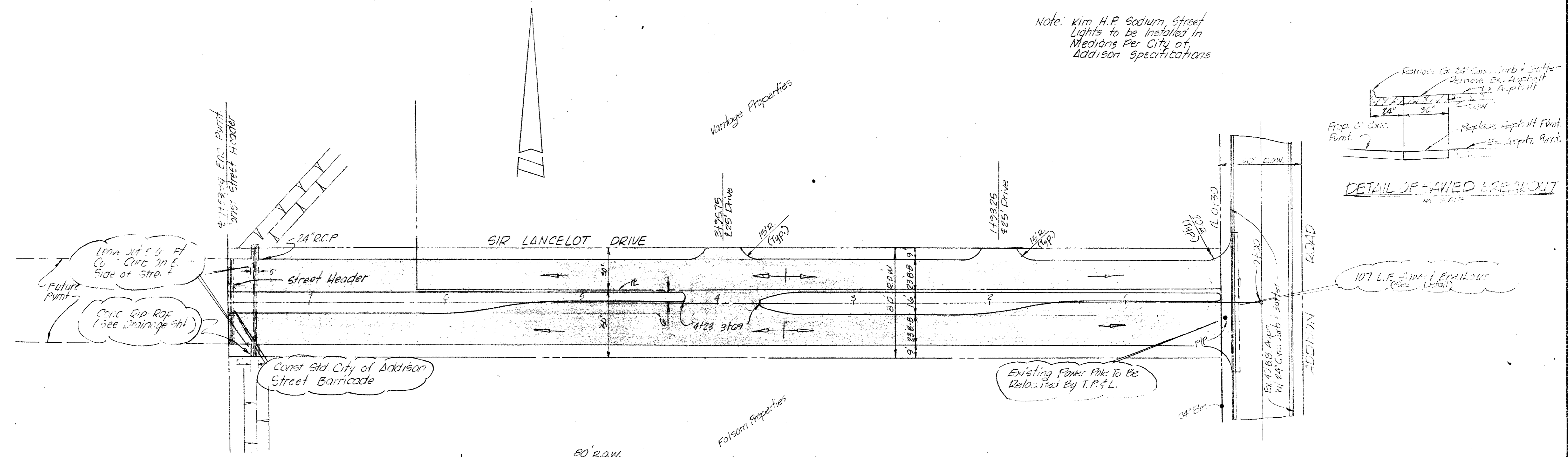
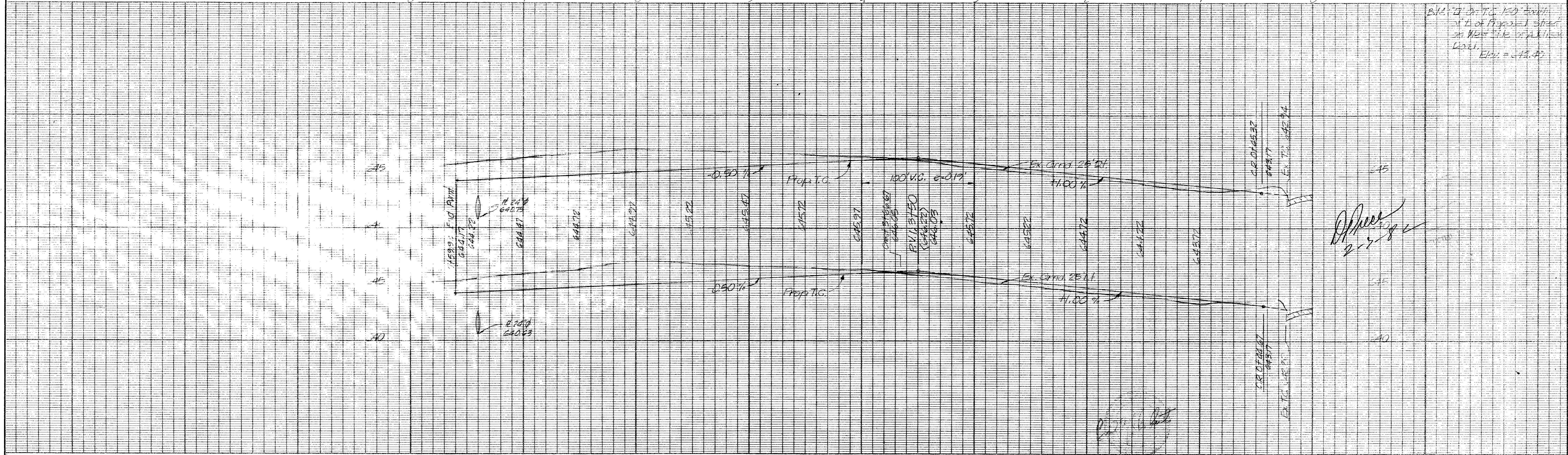


Note: Kim H.P. Sodium Street Lights to be Installed in Medians Per City of Addison Specifications



When Subgrade Iscut And Inspected, Verify Requirements For Lime Stabilization With City Inspector.

The contractor is responsible to preserve the final alignment and grade stakes as set by the engineer until the completed pavement is accepted by the City. In the event stakes are lost the engineer accepts no responsibility for pavement alignment or grade.



Approved
2-7-82

revision	date
ADD SAWED BREAKOUT DETAIL & 20' ENTRANCE RADIUS	12-20-81
Extend Pmt.	12-18-81
Revised Entrance Drive	1-16-82
Changed ROW & street Width	1-27-82

arp consulting engineers
ACREY ROBERTS PIERSON INC.
 DALLAS (214) 699-7916

design	drawn	date	scale	notes
AZF	TJC	2-7-82	AS SHOWN	SEE

sheet
1