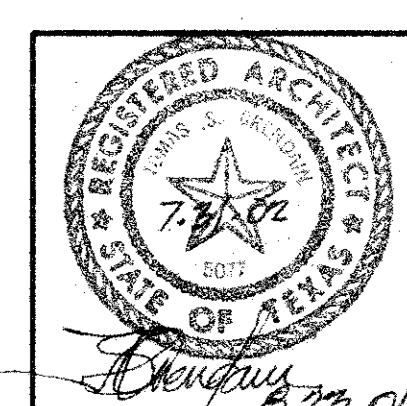


AMO
 16835 ADDISON ROAD
 ADDISON, TX 75001
 TEL: 972-250-0119
 FAX: 972-250-3157

**ADDISON PARK CENTRE
 OFFICE/TECH./FLEX.
 PHASE 1**
 16835 ADDISON ROAD ADDISON, TEXAS



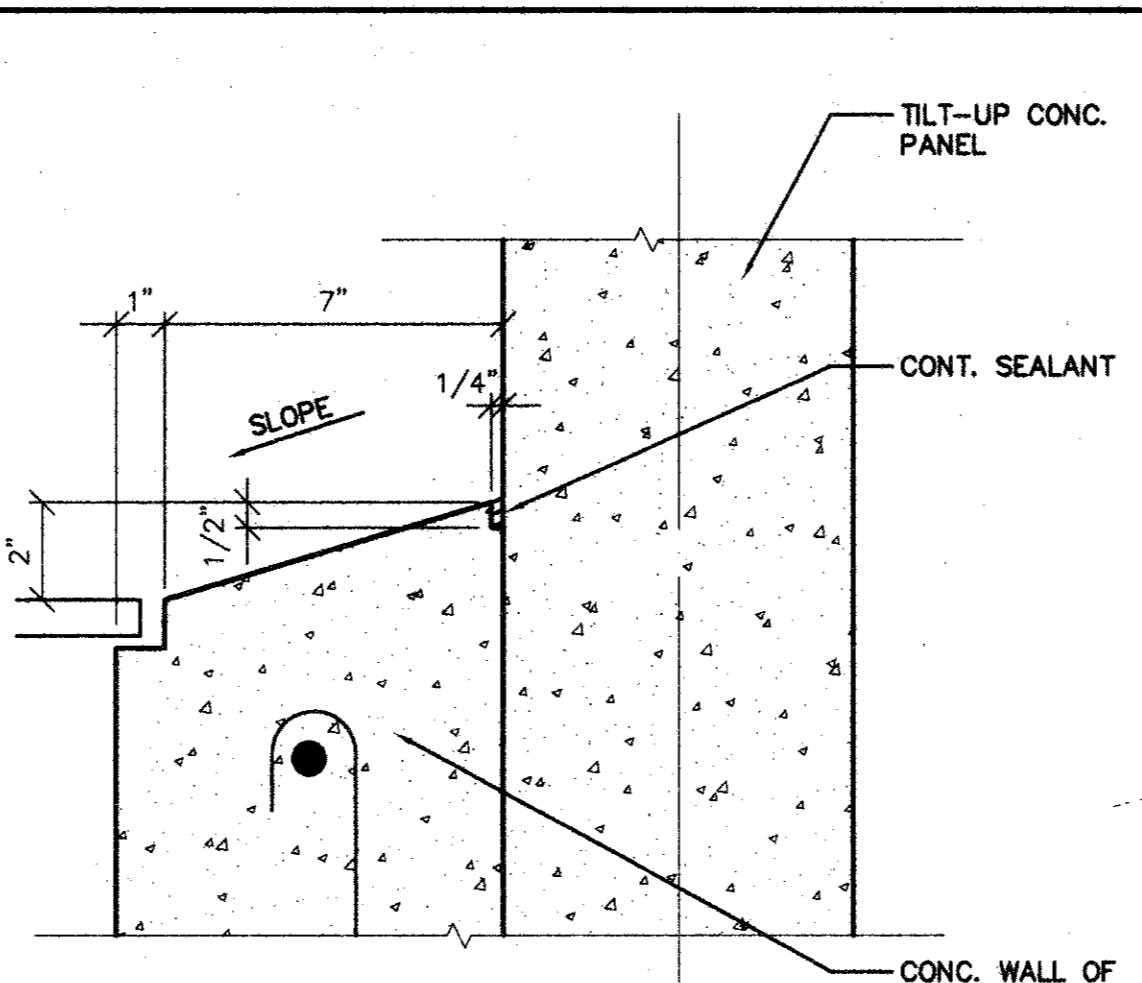
to
 T.S. Orendain Associates Inc.
 Architecture • Planning • Interior Design
 16835 Addison Road
 Suite 101
 Addison, Texas 75001
 (972) 250-0119

JOB: 8396 DATE: 2/25/2000
 DRAWN: T.S.O. CHECKED: T.S.O.

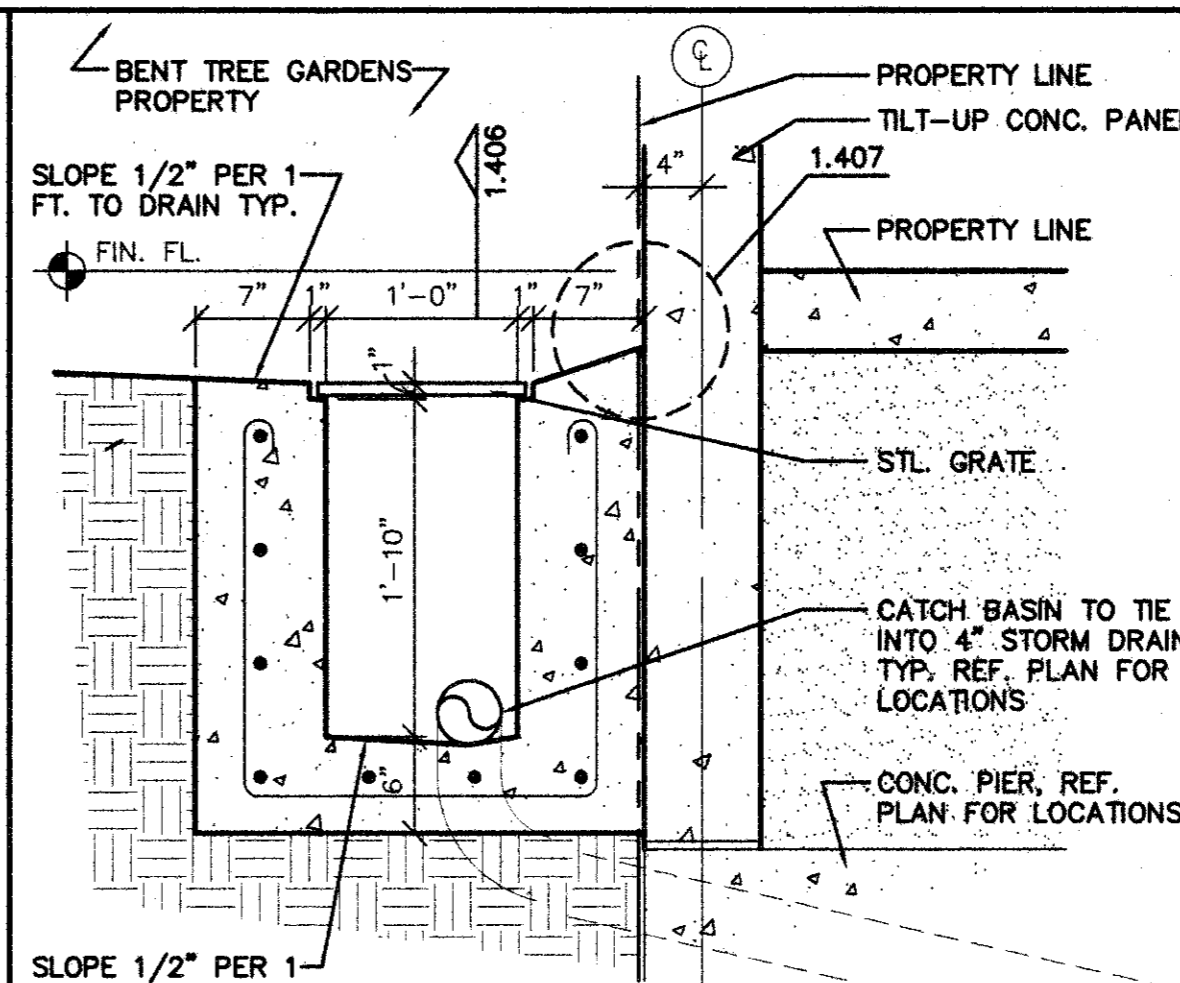
Date	By / Description
2-25-2000	100% ISSUED FOR CONSTRUCTION
8-9-2000	GENERAL REVISION

JOINT LAYOUT

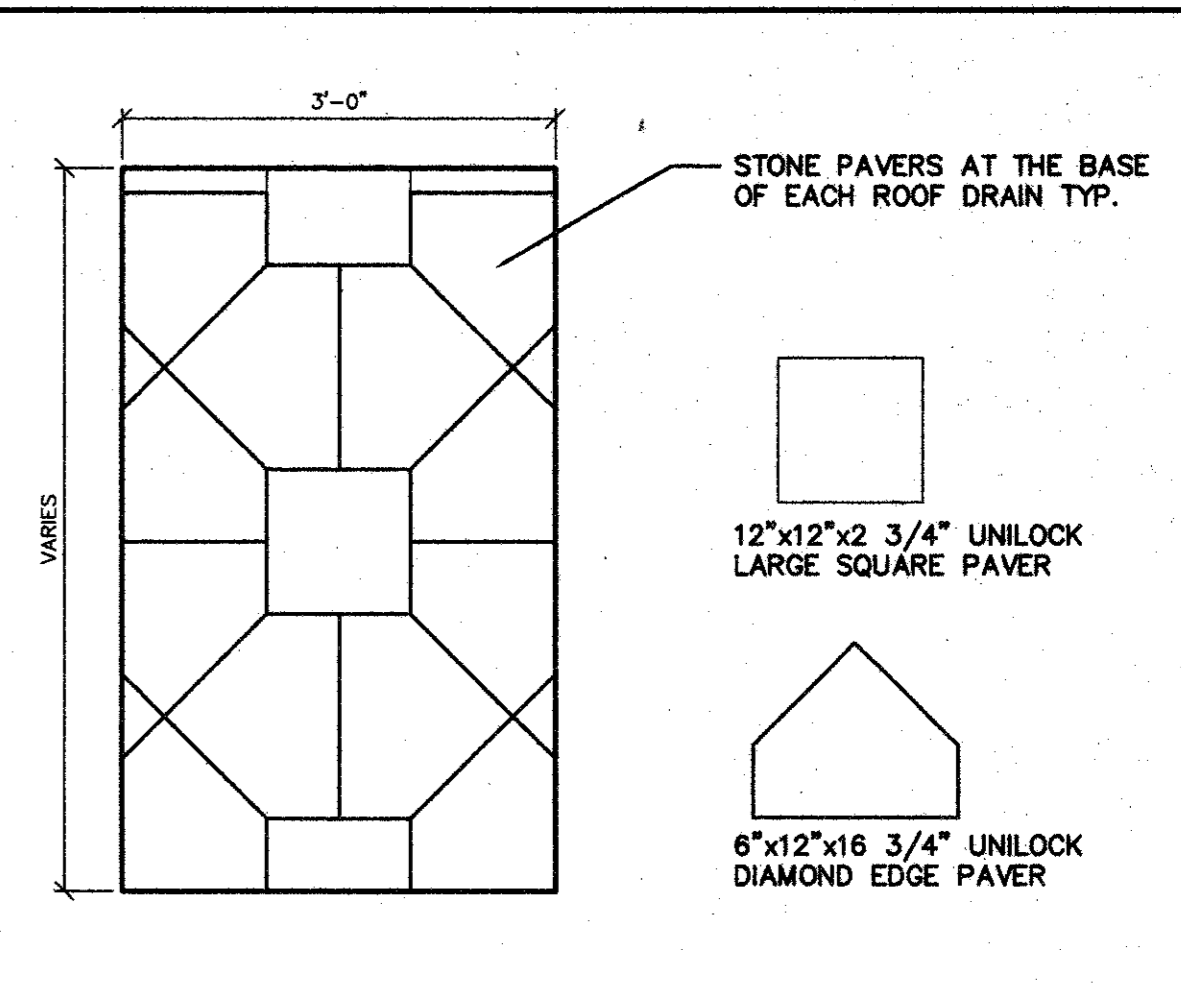
A-1.4



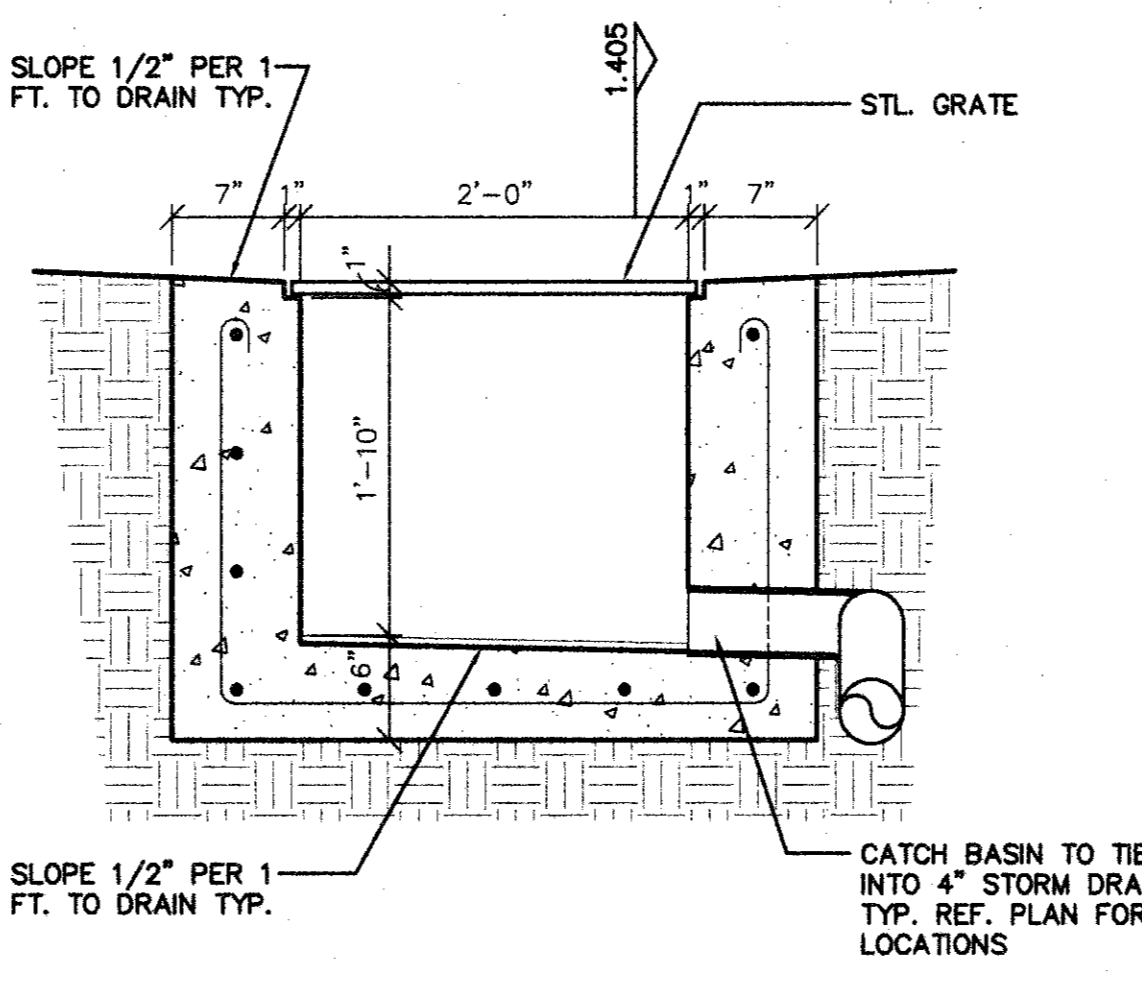
JOINT DETAIL SCALE: 3/4"=1'-0" 1.407



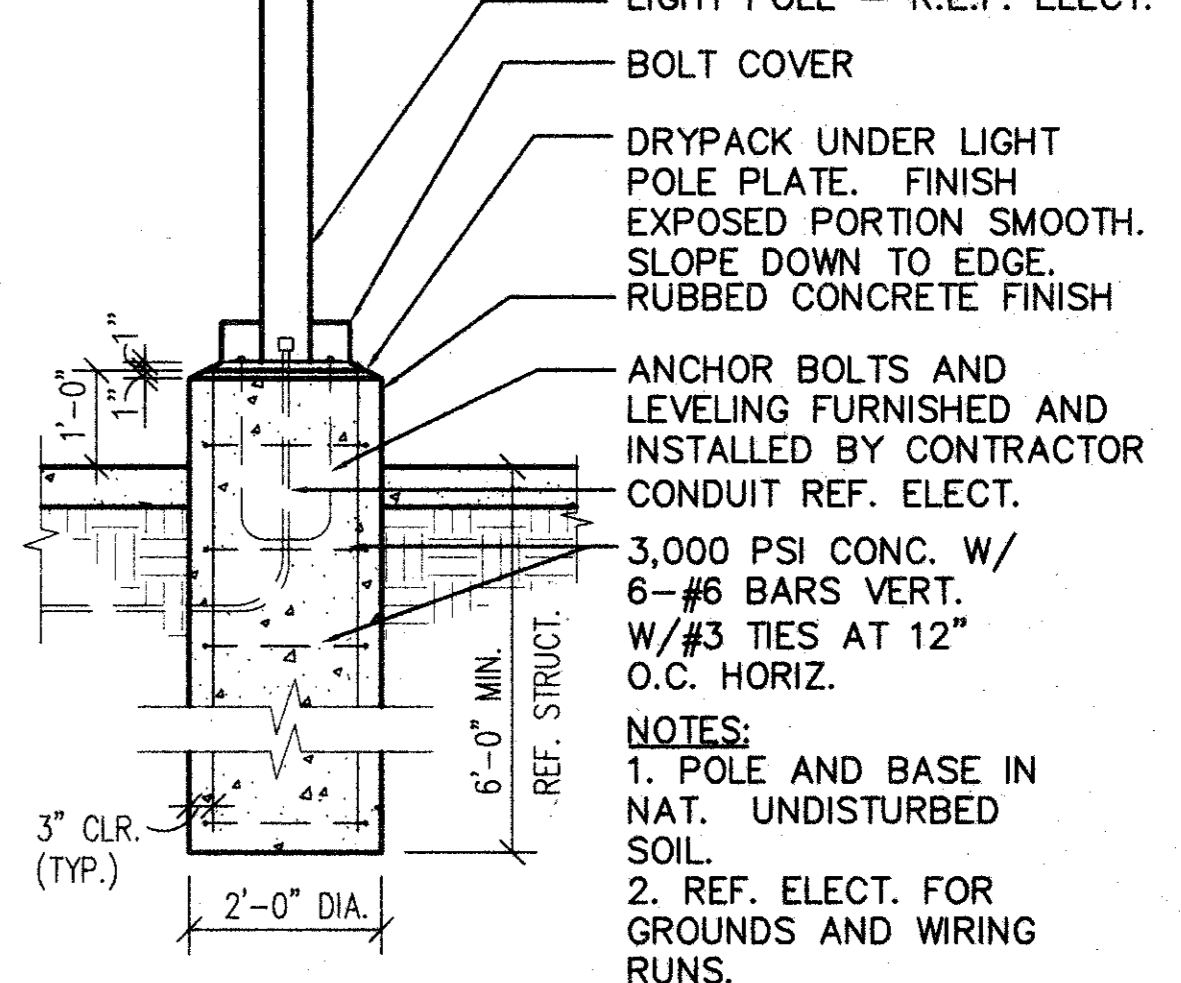
BASIN DETAIL SCALE: 1"=1'-0" 1.405



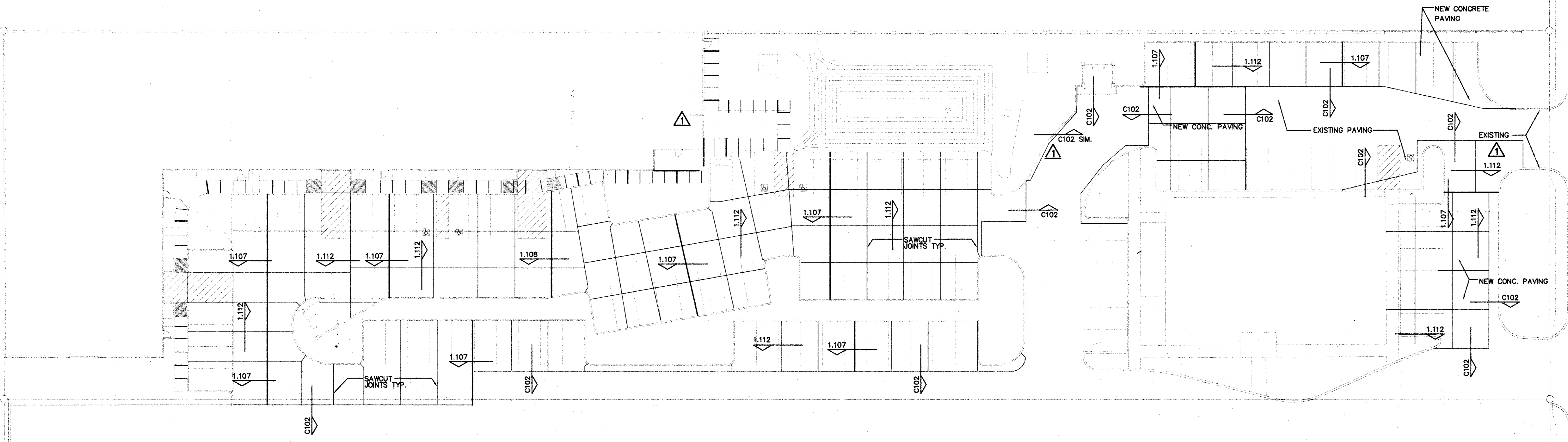
PAVER DETAIL SCALE: 3/4"=1'-0" 1.403



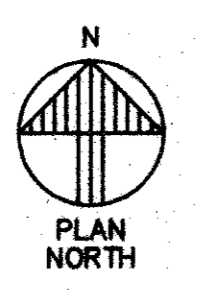
BASIN DETAIL SCALE: 1"=1'-0" 1.406



LIGHT POLE BASE SCALE: 1/2"=1'-0" 1.402



**AS - BUILT
 DRAWING**
 DATE: 8-23-01
 T.S. ORENDAIN ASSOC., INC.
 Architecture • Planning • Interior Design
 16835 Addison Road, Suite 101
 Addison, Texas 75001 972-250-0119



JOINT PLAN SCALE: 1"=20'-0" 1.401