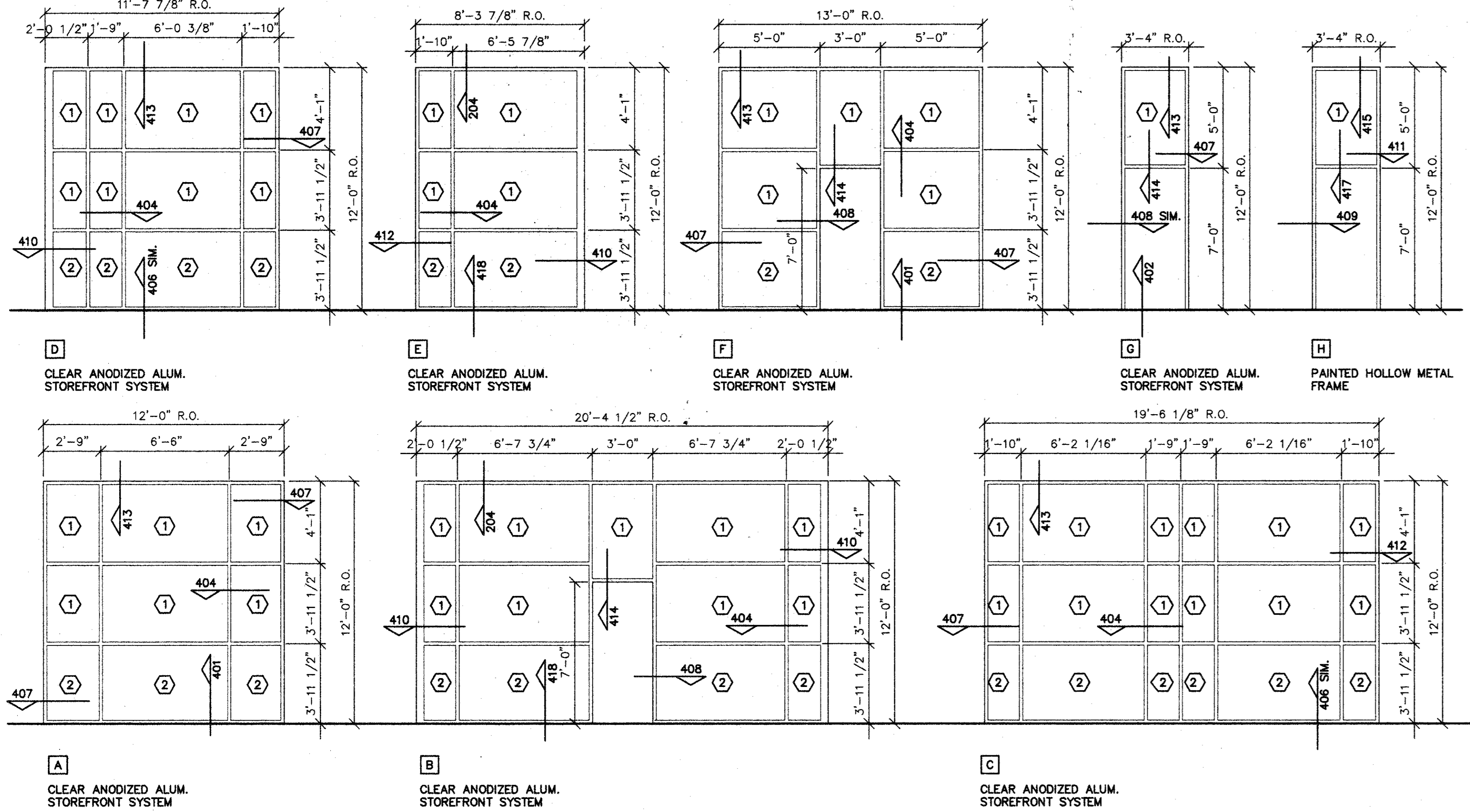


GLAZING SCHEDULE:

- ① 1/4" GREEN TINTED GLASS
- ② 1/4" GREEN TINTED TEMPERED GLASS



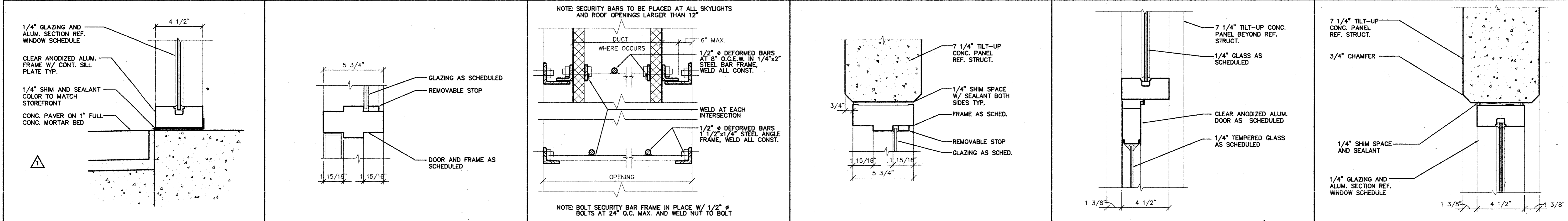
DOOR SCHEDULE

DR. NO.	LOCATION		DOOR					FRAME				FEATURES		NOTES					
	FROM	TO	SIZE	THK.	TYPE	MAT'L	FIN.	C	HW. SET	MAT'L	FIN.	C	HEAD		JAMB	SILL	OTHER	LABEL	THRES
1	102	EXT.	3'-0"x7'-0"	1 3/4"	B	H.M.	P		1	H.M.	P		414	407	402				
2	101	EXT.	3'-0"x7'-0"	1 3/4"	A	ALUM/GL.	CLR.		1	ALUM.	CLR.		414	407	402				
3	101	EXT.	3'-0"x7'-0"	1 3/4"	A	ALUM/GL.	CLR.		1	ALUM.	CLR.		414	407	402				
4	101	EXT.	3'-0"x7'-0"	1 3/4"	A	ALUM/GL.	CLR.		1	ALUM.	CLR.		414	407	402				
5	101	EXT.	3'-0"x7'-0"	1 3/4"	A	ALUM/GL.	CLR.		1	ALUM.	CLR.		414	407	402				
6	101	EXT.	3'-0"x7'-0"	1 3/4"	A	ALUM/GL.	CLR.		1	ALUM.	CLR.		414	407	402				
7																			
8																			
9																			
10																			
11																			
12																			
13																			
14																			
15																			

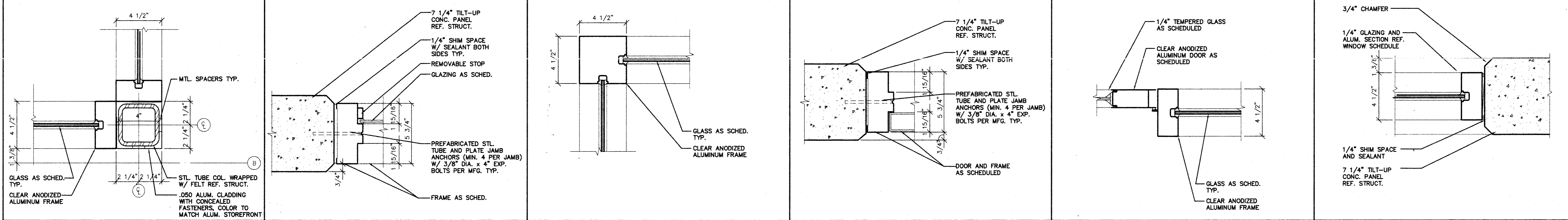
DOOR SCHEDULE SCALE: NONE 419

AS - BUILT DRAWING
 DATE: 8-23-01
 T.S. OREDAIN ASSOC., INC.
 Architecture • Planning • Interior Design
 16835 Addison Road, Suite 101
 Addison, Texas 75001 972-250-0519

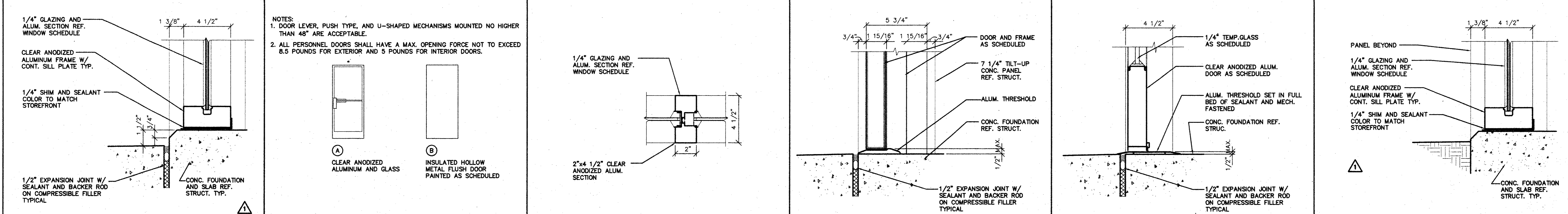
WINDOW TYPES SCALE: 1/4"=1'-0" 421



SILL DETAIL SCALE: 3/8"=1'-0" 418 H.M. MULLION DETAIL SCALE: 3/8"=1'-0" 417 SECURITY BAR DT. SCALE: 3/8"=1'-0" 416 H.M. HEAD DETAIL SCALE: 3/8"=1'-0" 415 HEAD DETAIL SCALE: 3/8"=1'-0" 414 HEAD DETAIL SCALE: 3/8"=1'-0" 413



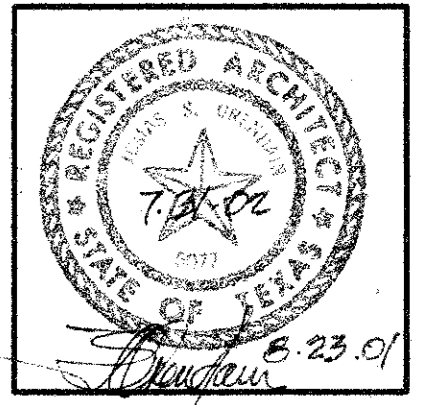
JAMB DETAIL SCALE: 3/8"=1'-0" 412 H.M. JAMB DETAIL SCALE: 3/8"=1'-0" 411 CORNER MULLION DT. SCALE: 3/8"=1'-0" 410 H.M. JAMB DETAIL SCALE: 3/8"=1'-0" 409 JAMB DETAIL SCALE: 3/8"=1'-0" 408 JAMB DETAIL SCALE: 3/8"=1'-0" 407



SILL DETAIL SCALE: 3/8"=1'-0" 406 DOOR TYPES SCALE: 1 1/4"=1'-0" 405 MULLION DETAIL SCALE: 3/8"=1'-0" 404 H.M. DOOR SILL SCALE: 3/8"=1'-0" 403 SILL DETAIL SCALE: 3/8"=1'-0" 402 SILL DETAIL SCALE: 3/8"=1'-0" 401

AMO
 16835 ADDISON ROAD
 SUITE 101
 ADDISON, TX 75001
 PHONE: 972-250-3167
 FAX: 972-250-3167

**ADDISON PARK CENTRE
 OFFICE/TECH./FLEX.
 PHASE 1**
 16835 ADDISON ROAD ADDISON, TEXAS



to
 T.S. Oredain Associates Inc.
 Architecture • Planning • Interior Design

16835 Addison Road
 Suite 101
 Addison, Texas 75001
 (972) 250-0519

JOB: 8396 DATE: 2/25/2000
 DRAWN: T.S.O. CHECKED: T.S.O.

Issued For / Description	By
SCHEMATIC QTY REVIEW	T.S.O.
T.D.L.R.	T.S.O.
T.D.L.R.	T.S.O.
100% ISSUED FOR CONSTRUCTION	T.S.O.
GENERAL REVISION	T.S.O.

WINDOW TYPES,
 DOOR SCHEDULE,
 AND DETAILS