

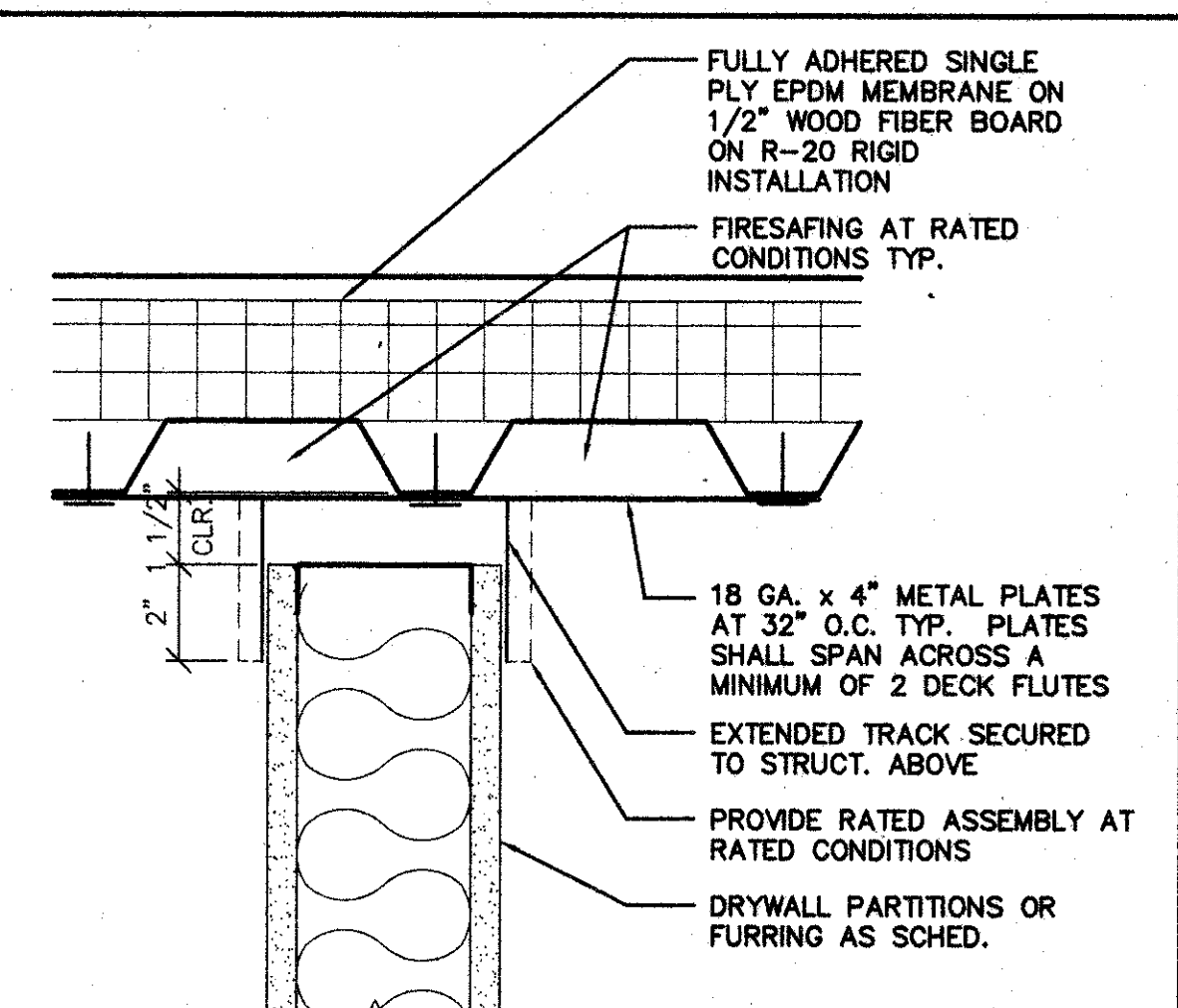
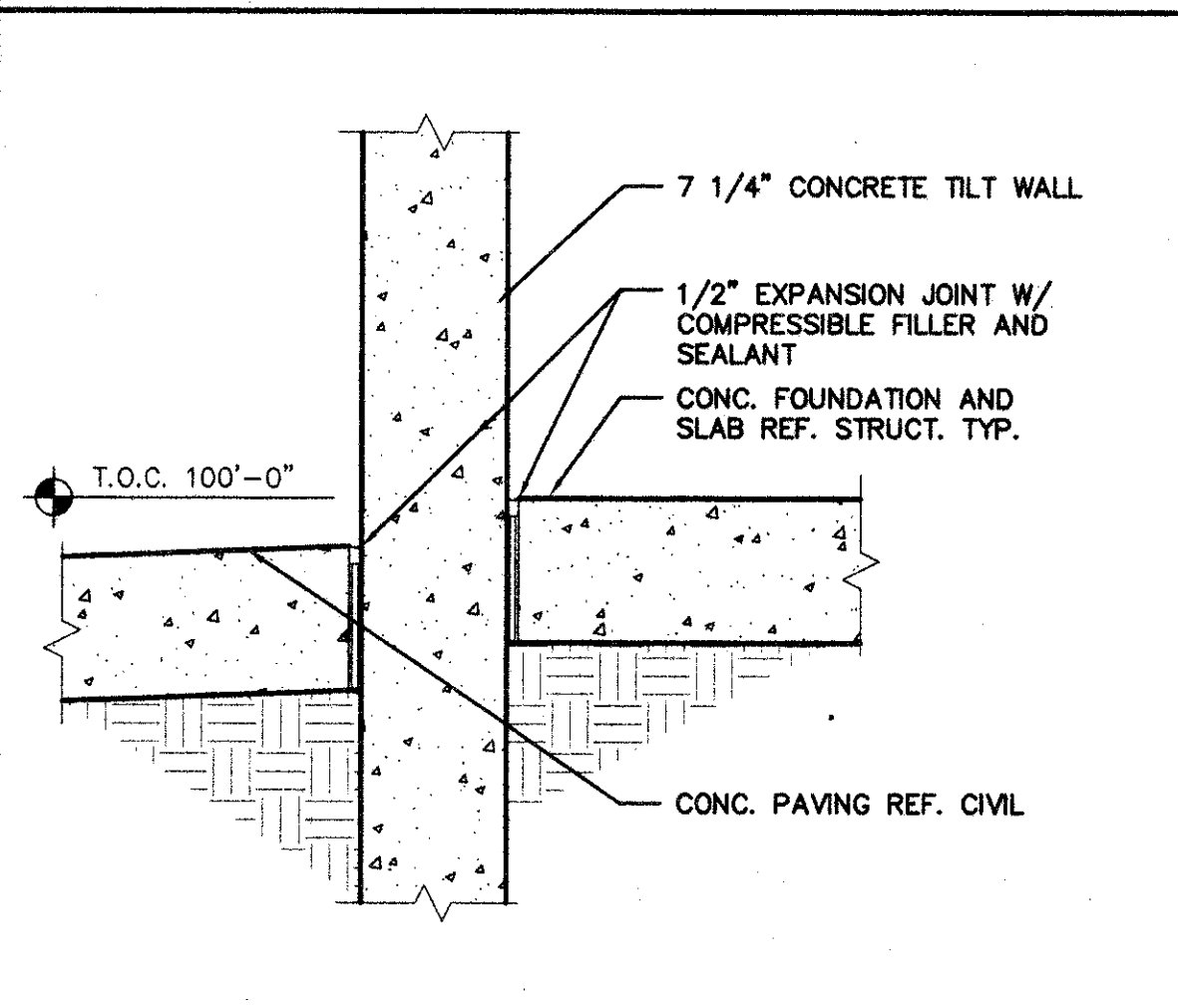
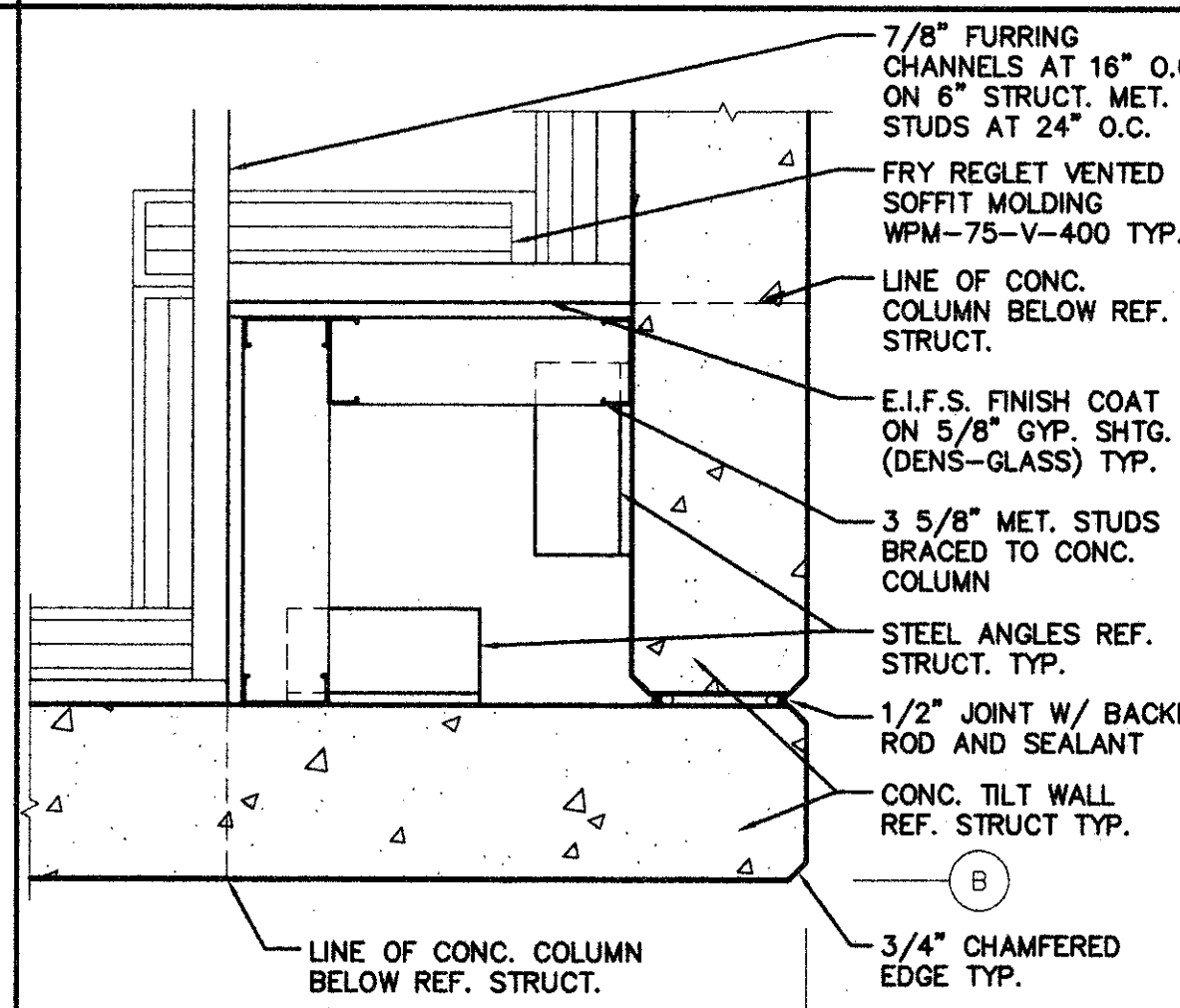
T.S. Orendain Associates, Inc.
Architecture • Planning • Interior Design

16835 Addison Road
Suite 101
Addison, Texas 75001
(972) 250-0119

JOB: 8396 DATE: 2/25/2000
DRAWN: T.S.O. CHECKED: T.S.O.

Date	Issued For / Description
2-25-2000	100% ISSUED FOR CONSTRUCTION
11-3-2000	FIRE SPRINKLER ROOM REVISION

WALL SECTIONS AND DETAILS

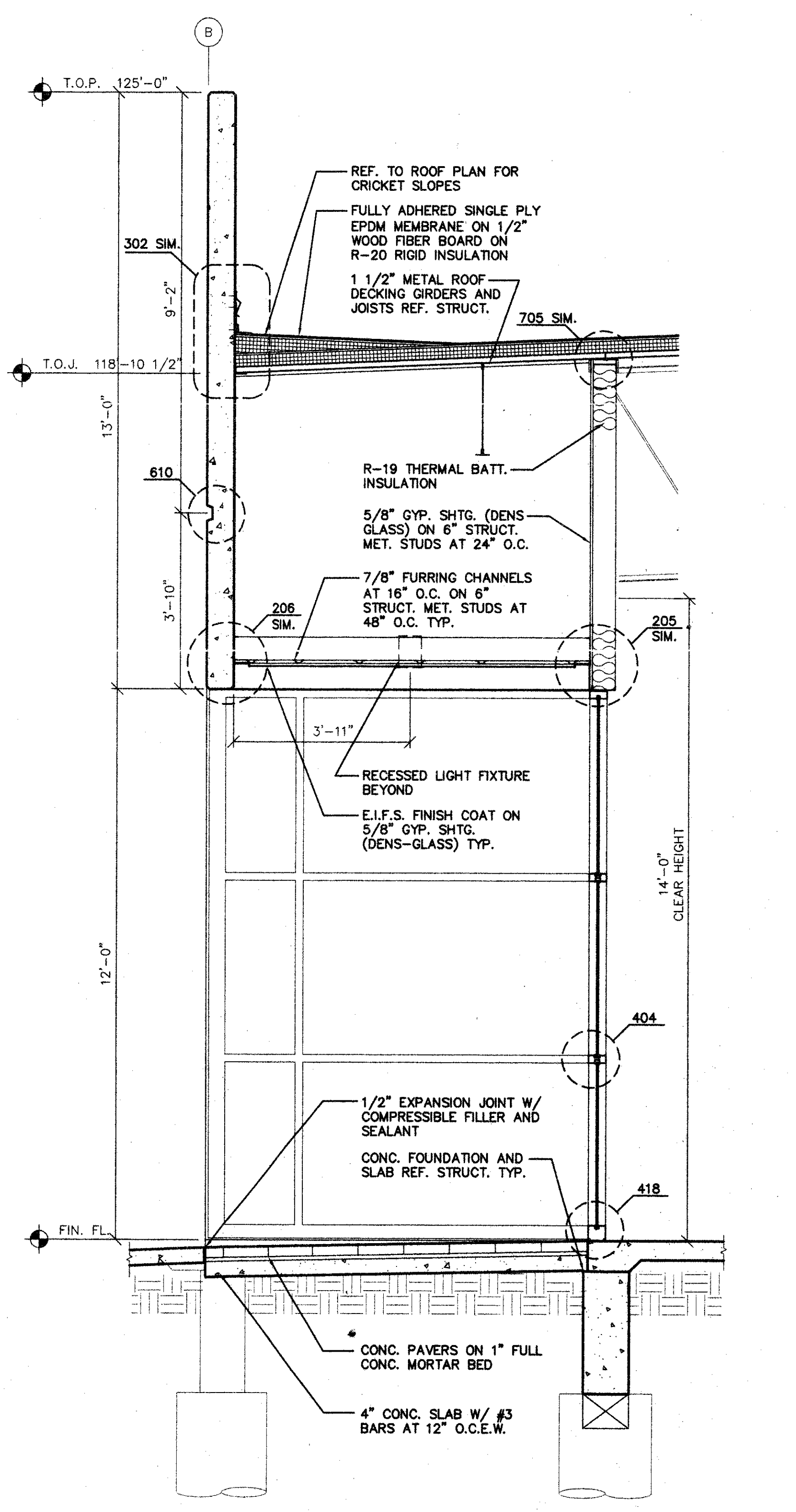


NOT USED SCALE: NONE 708

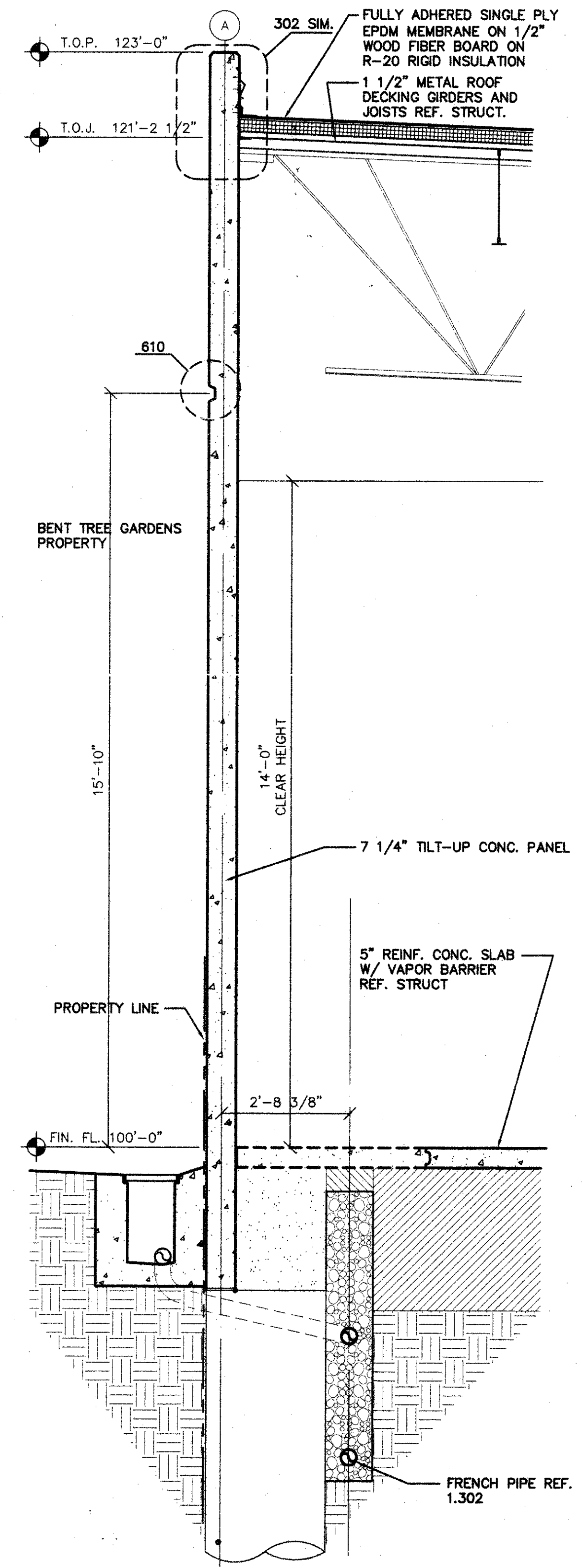
SOFFIT DETAIL SCALE: 1/2"=1'-0" 707

DETAIL SCALE: 1/2"=1'-0" 706

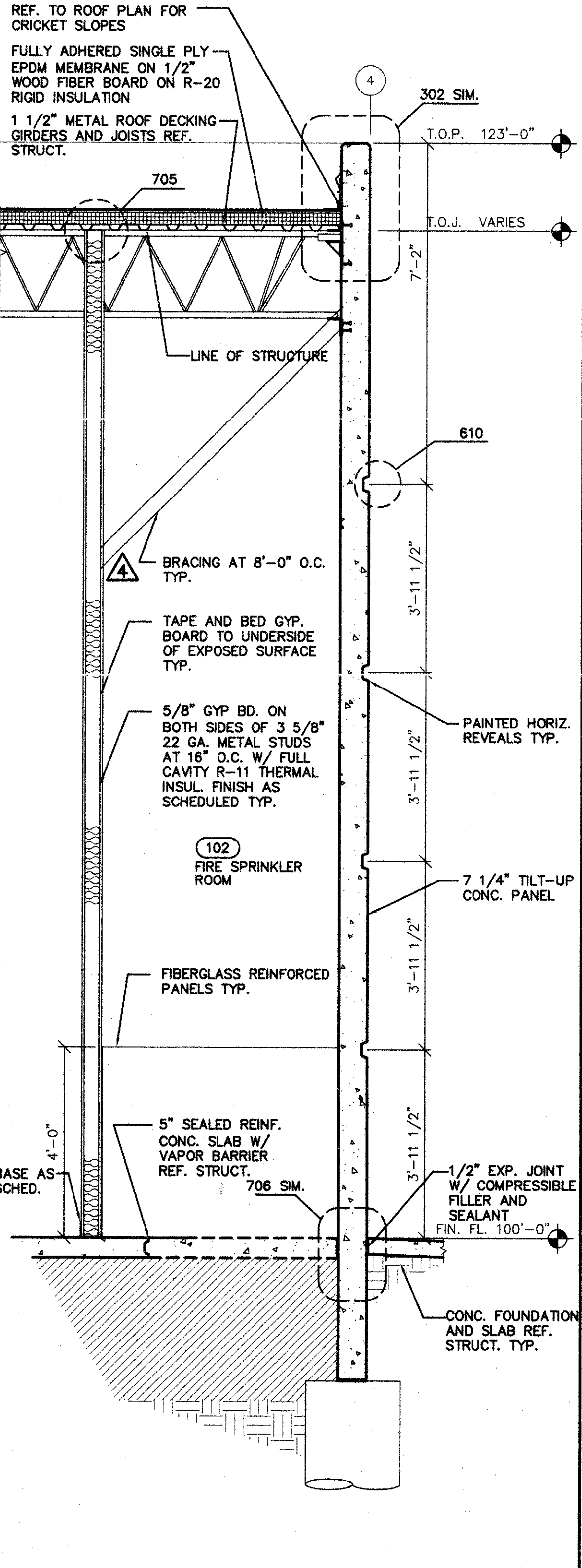
DETAIL SCALE: 3/8"=1'-0" 705



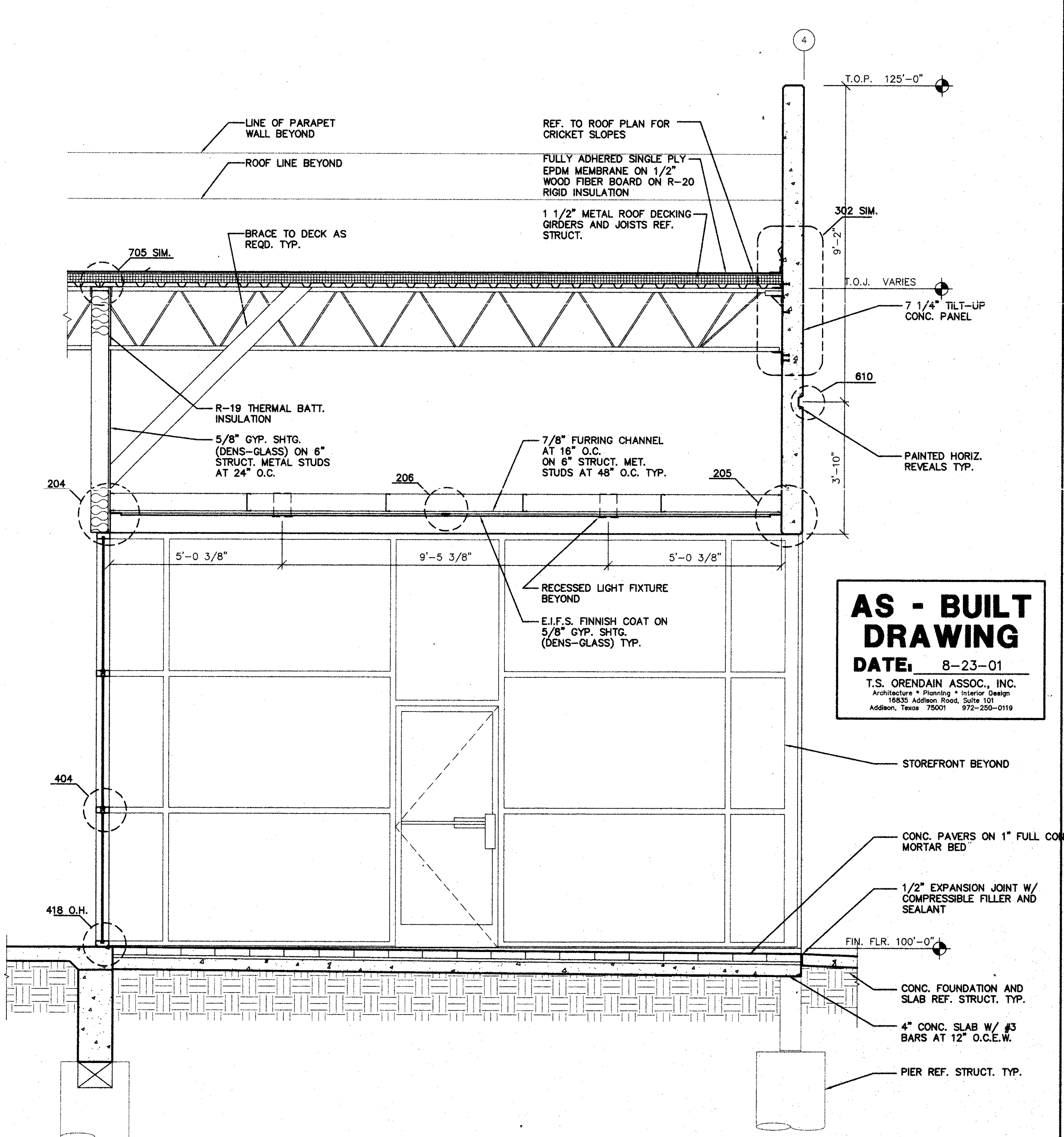
WALL SECTION SCALE: 1/2"=1'-0" 704



WALL SECTION SCALE: 1/2"=1'-0" 703



WALL SECTION SCALE: 1/2"=1'-0" 702



WALL SECTION SCALE: 1/2"=1'-0" 701

AS - BUILT DRAWING
DATE: 8-23-01
T.S. ORENDAIN ASSOC., INC.
Architecture • Planning • Interior Design
16835 Addison Road, Suite 101
Addison, Texas 75001 972-250-0119