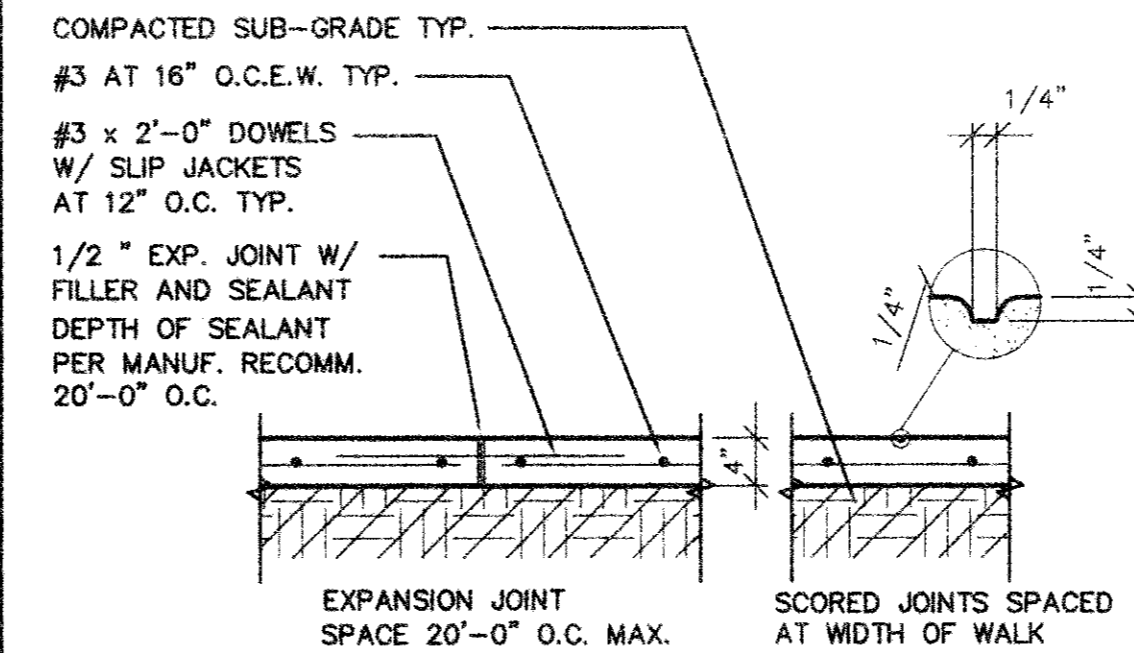


REF. 1.106 FOR EXPANSION JOINT LOCATIONS

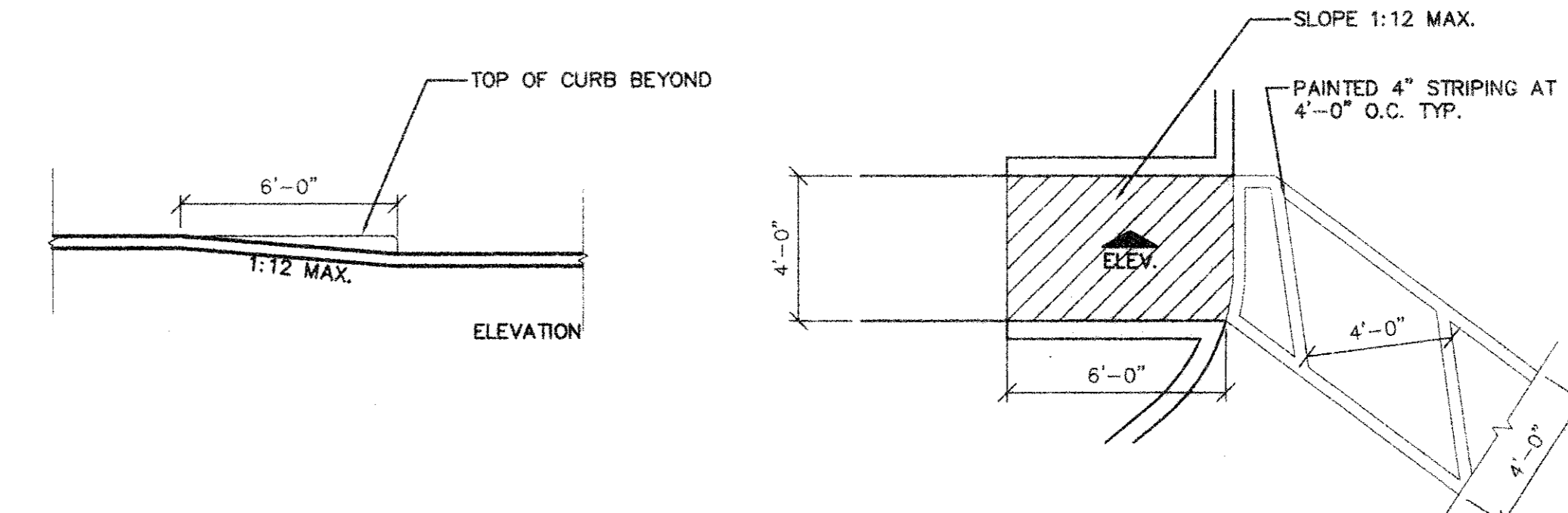
NOTE: JOINT FILLER SHALL BE HOT OR COLD AT CONTRACTORS OPTION

PROVIDE #6 AT 18\"/>

CURB DETAIL SCALE: 1 1/2\"/>

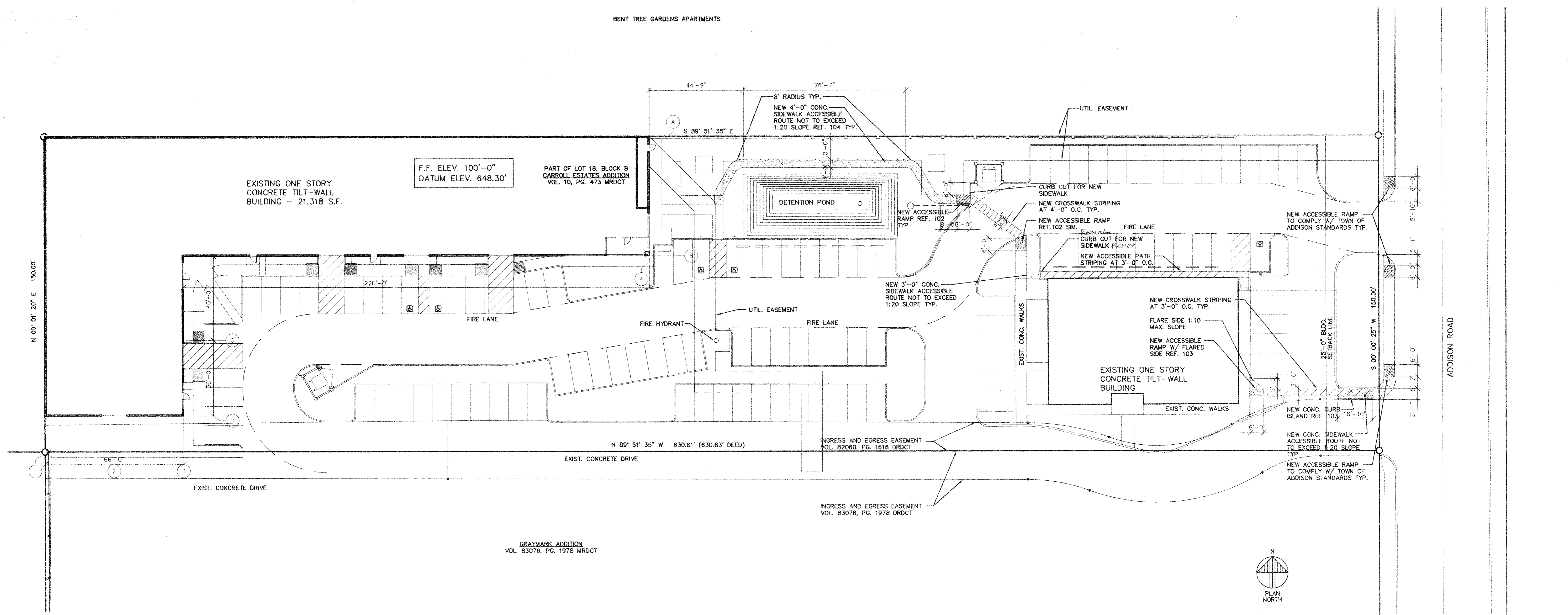


CONC. WALK SCALE: 3/4\"/>



NOTE: THE SURFACE TEXTURE OF ALL RAMPS AND THEIR FLARED SIDES SHALL HAVE DETECTABLE WARNINGS WHICH CONSIST OF GROOVES 1/4\"/>

HANDICAP PARKING SCALE: 1/4\"/>



SITE PLAN SCALE: 1\"/>

AMO
18835 ADDISON ROAD
SUITE 101
ADDISON, TEXAS 75001
TEL: 972-250-0119
FAX: 972-250-3157

ADDISON PARK CENTRE
OFFICE/TECH./FLEX.
PHASE 1
18835 ADDISON ROAD ADDISON, TEXAS

to
T.S. Orndin Associates Inc.
Architectural & Graphic Interior Design

18835 Addison Road
Suite 101
Addison, Texas 75001
(972) 250-0119

JOB: 8396.01 DATE: 10-17-01
DRAWN: T.S.O. CHECKED: T.S.O.

Date	Issued For / Description

SITE PLAN AND DETAILS