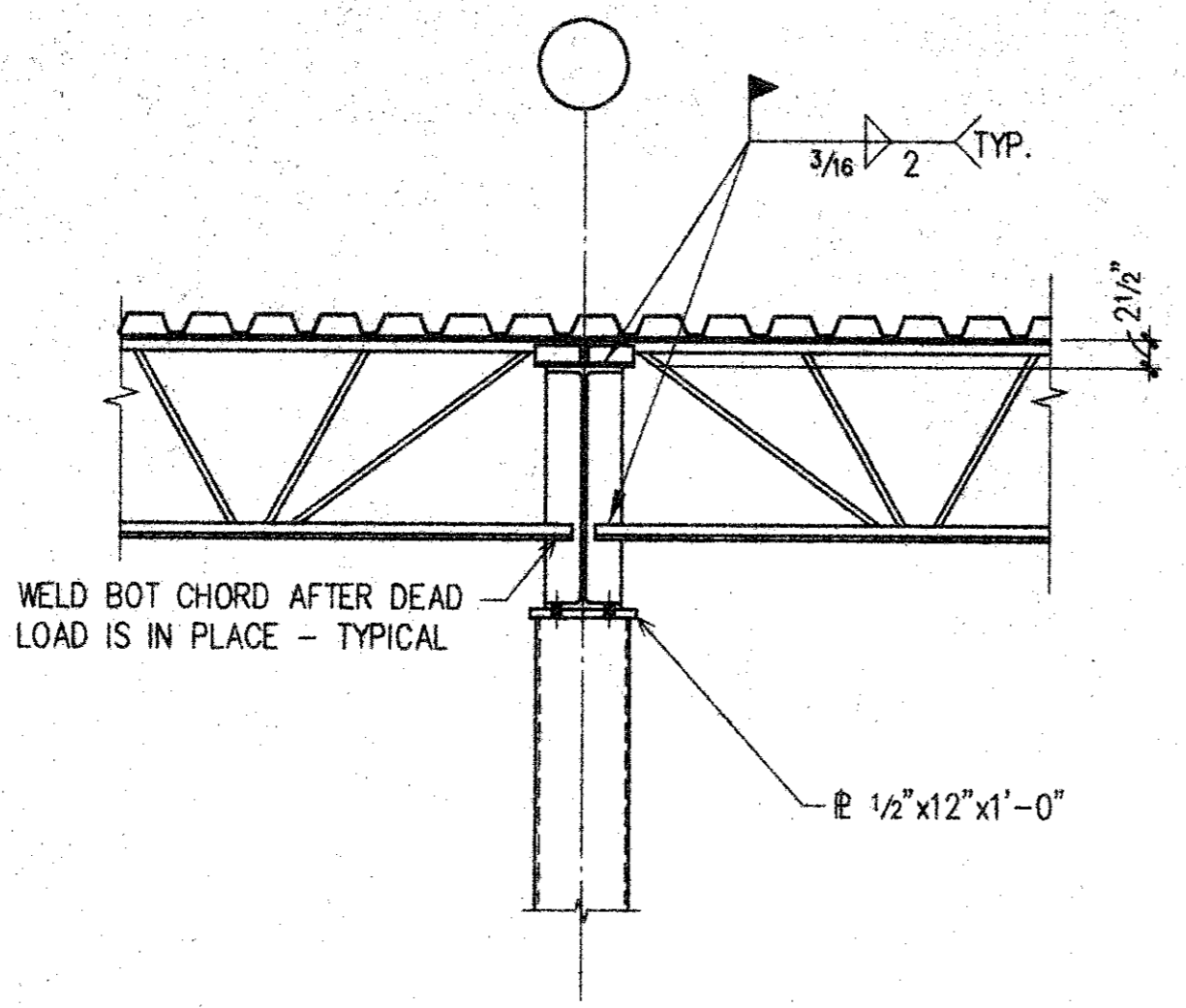
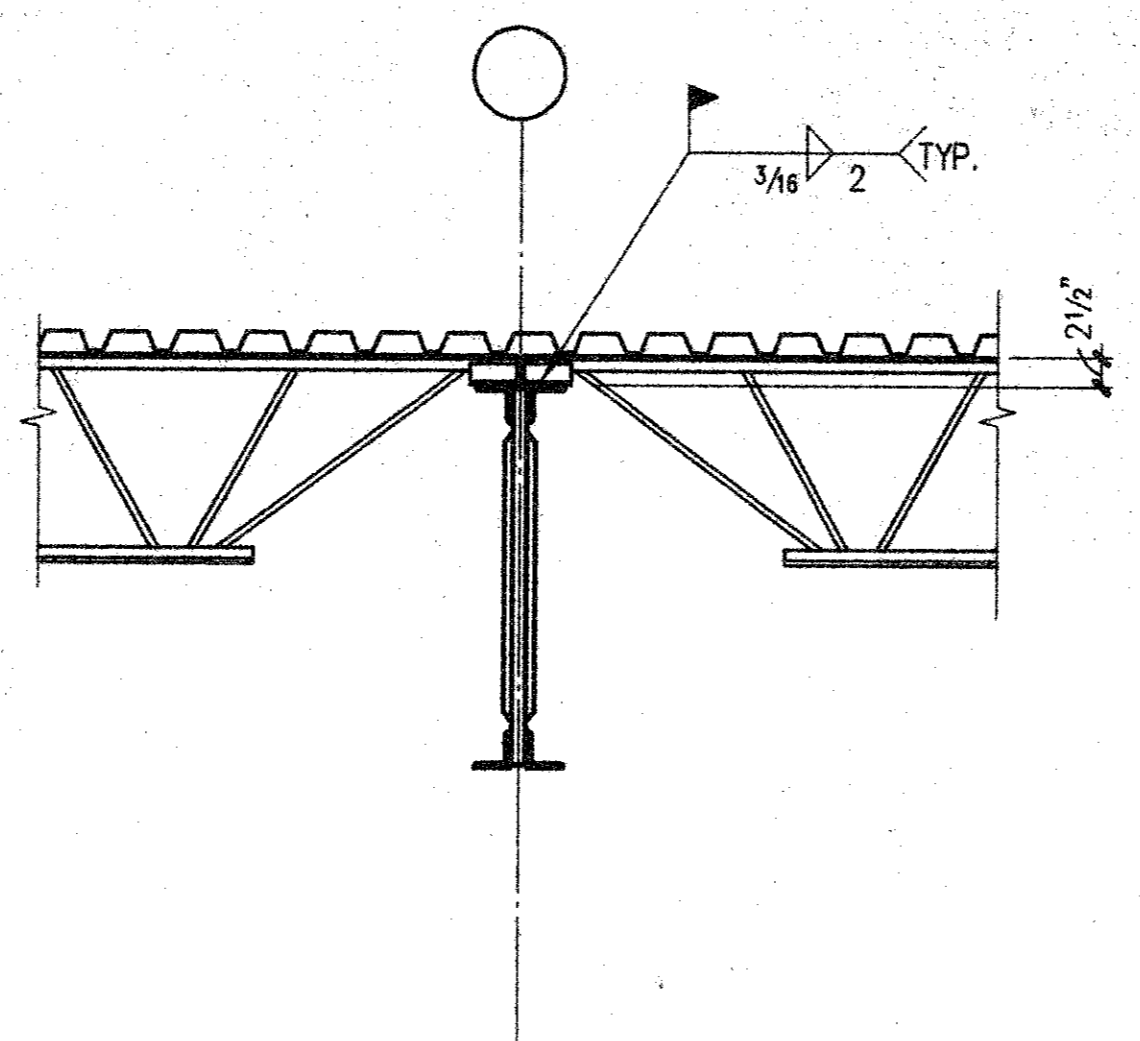


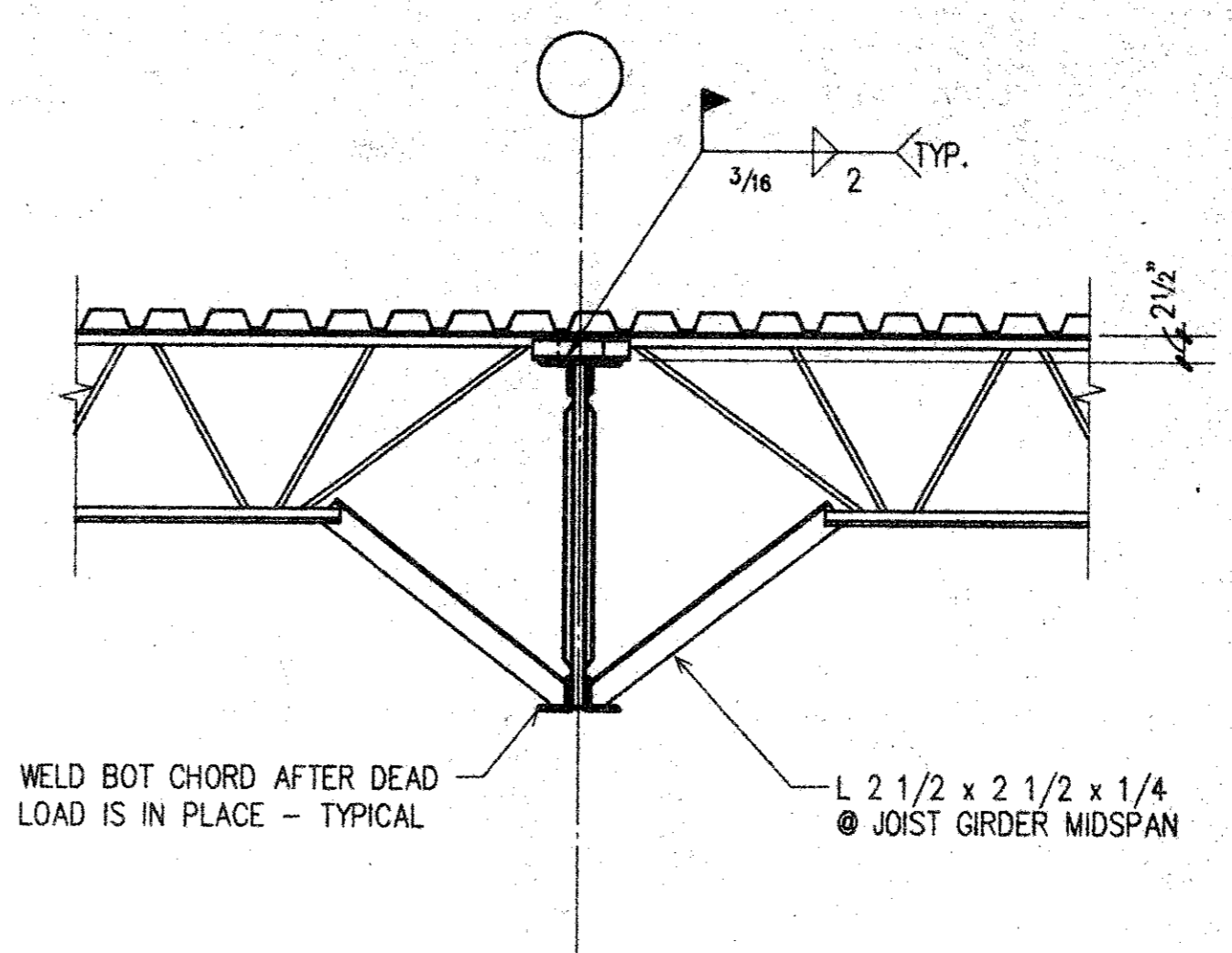
**01**  
3/4"=1'-0" TYP.



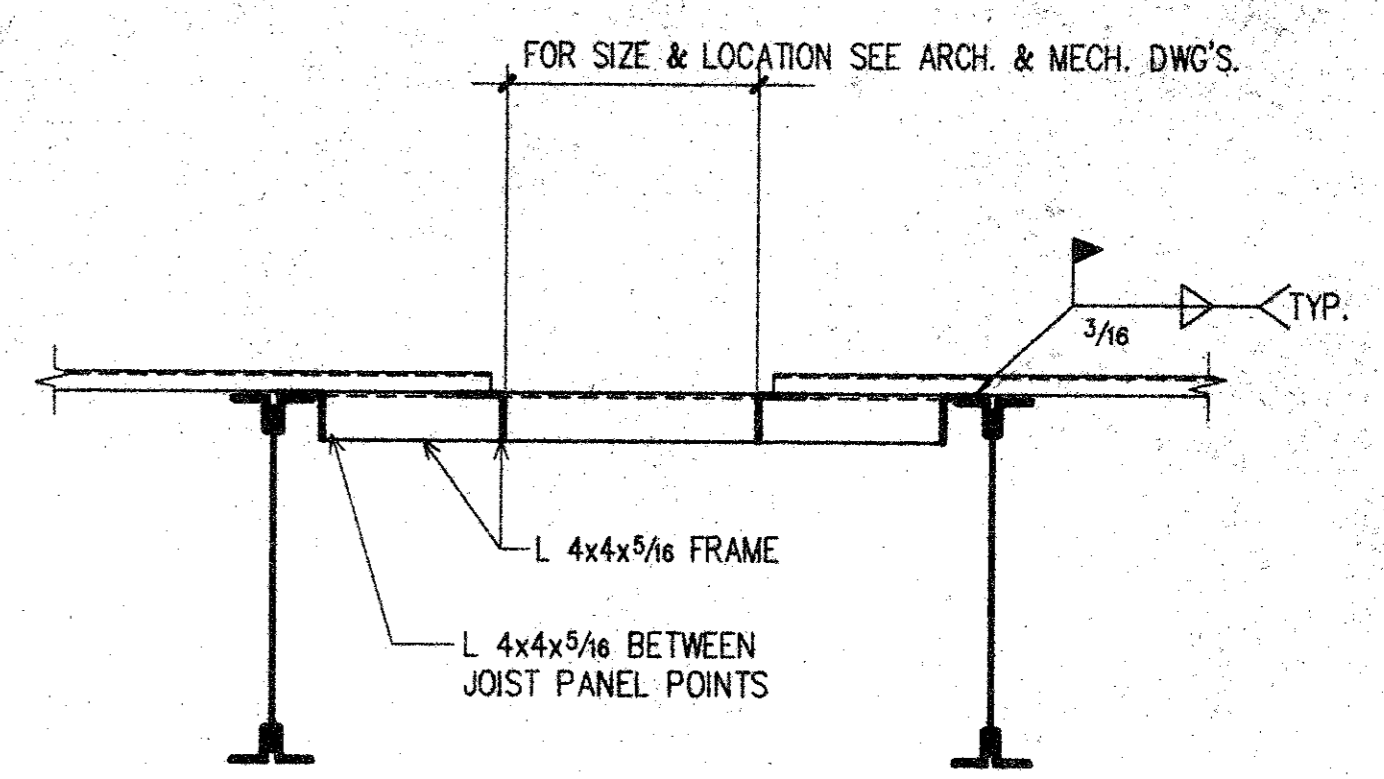
**02**



**03**

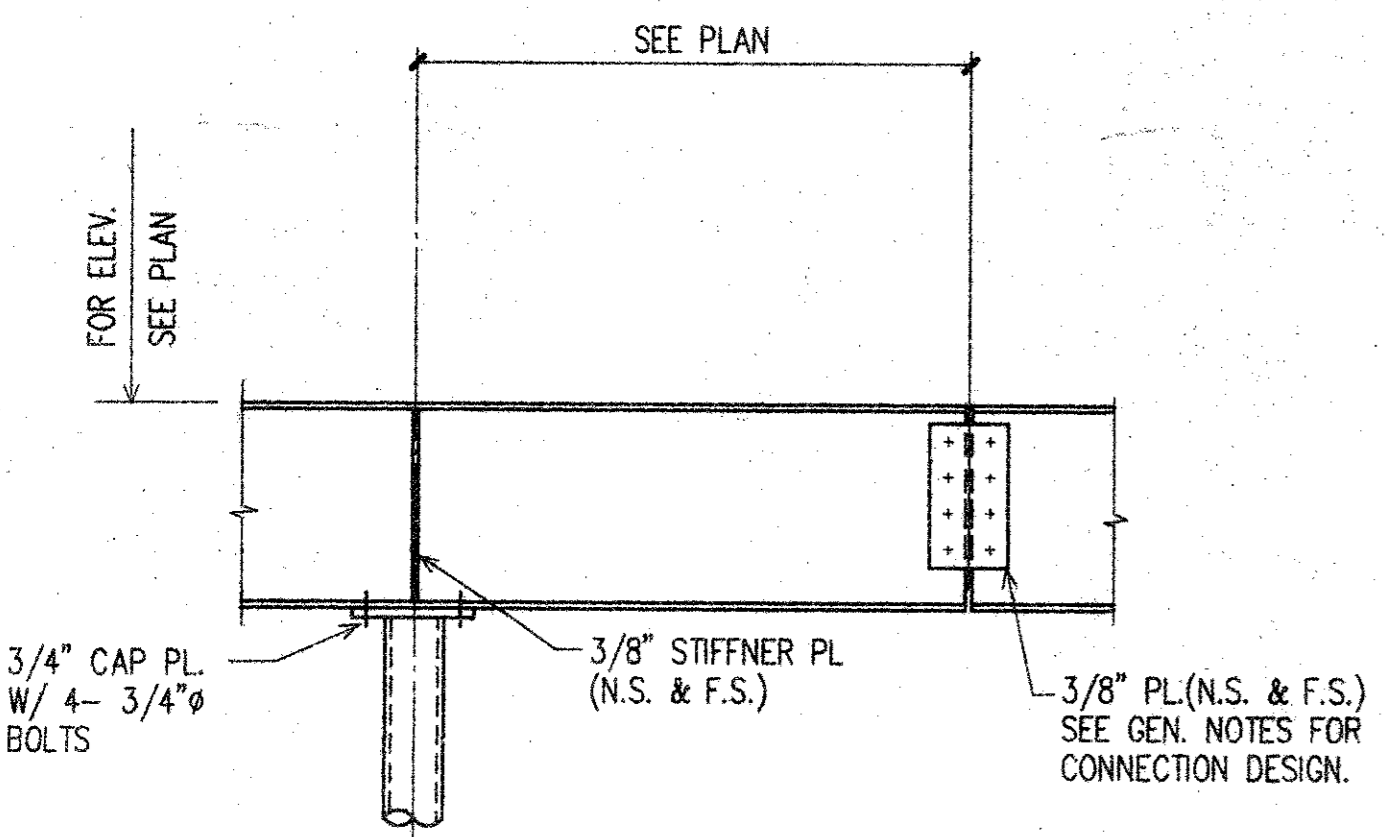


**04**

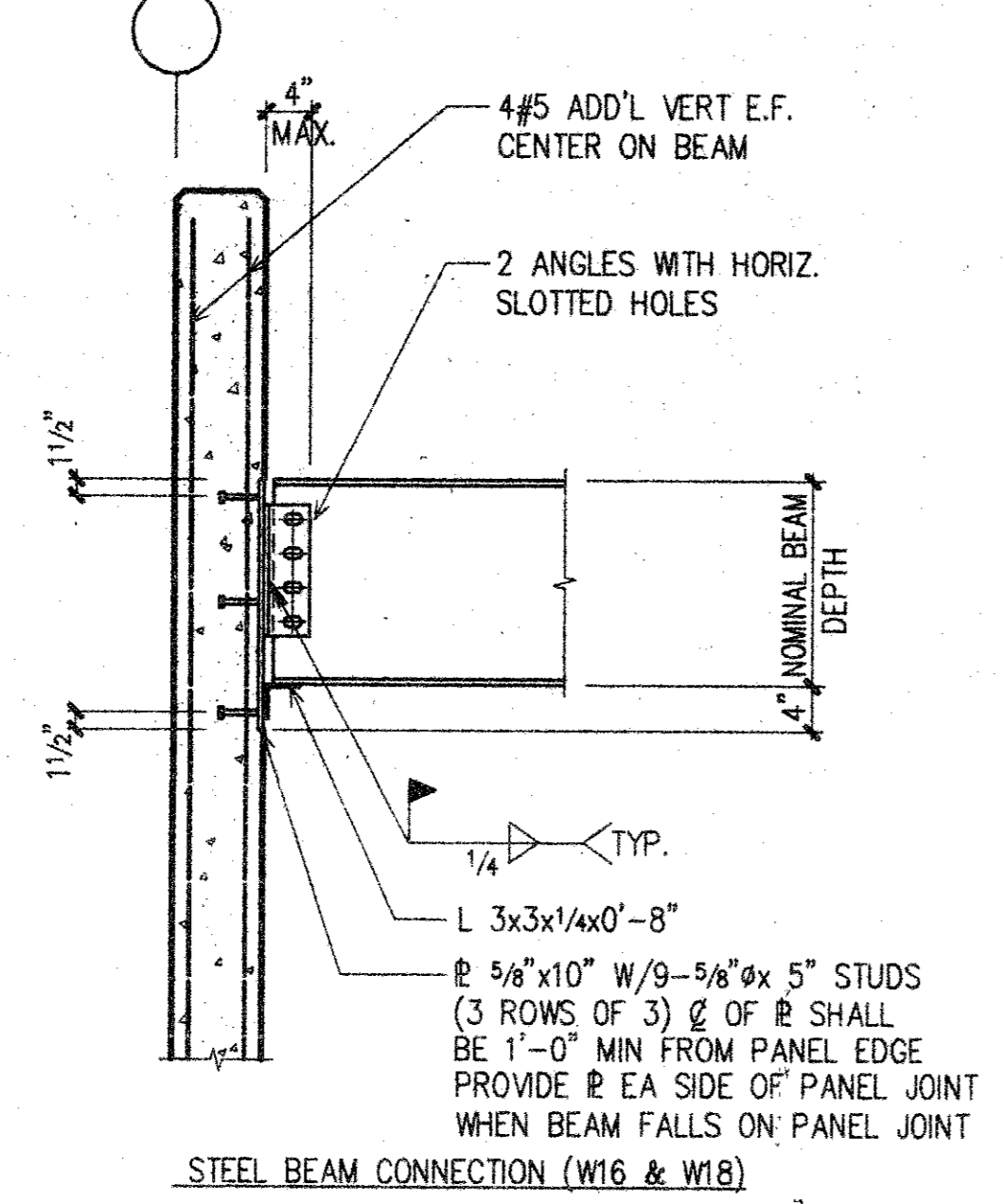


TYPICAL ROOF OPENING DETAIL

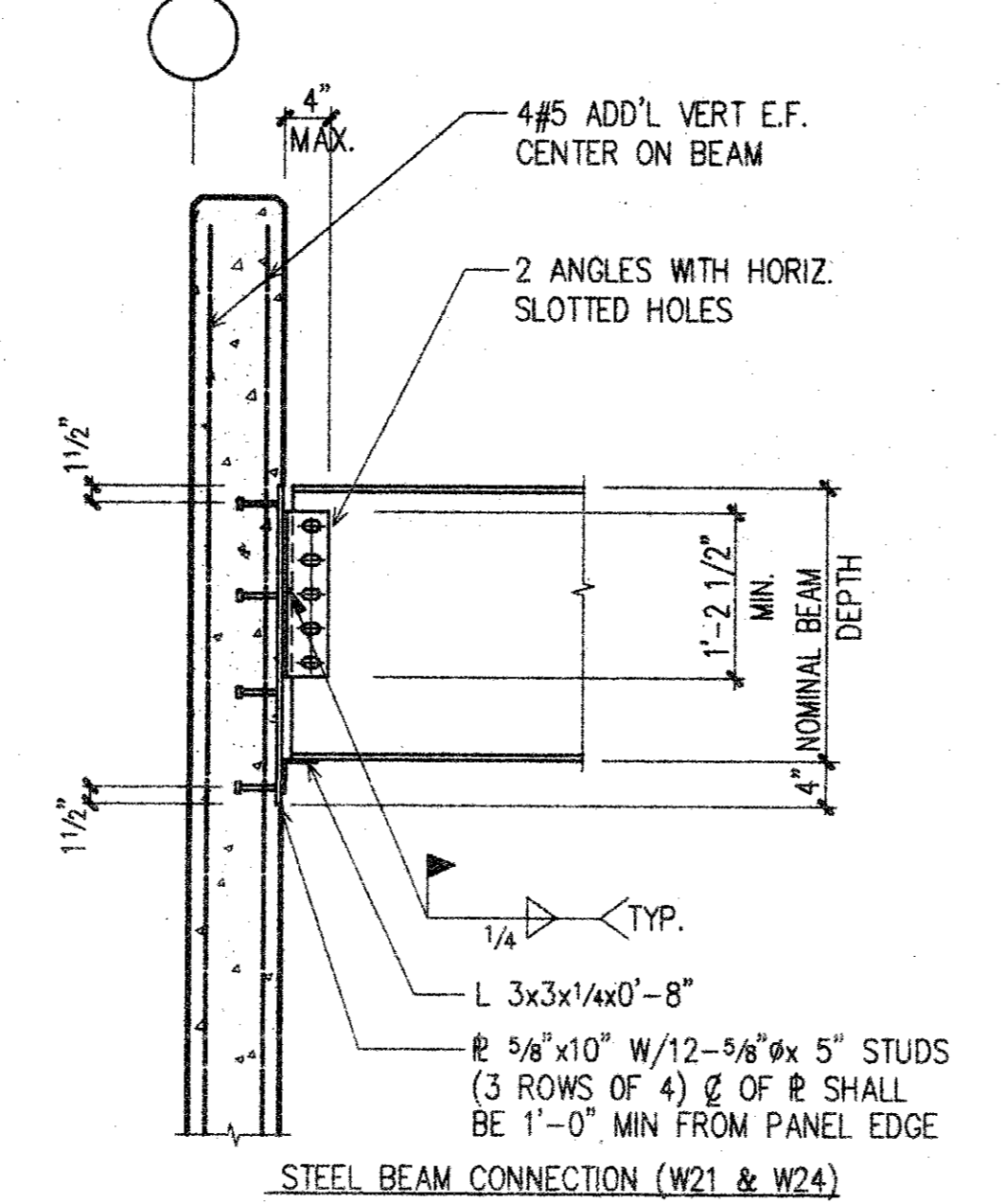
**05**



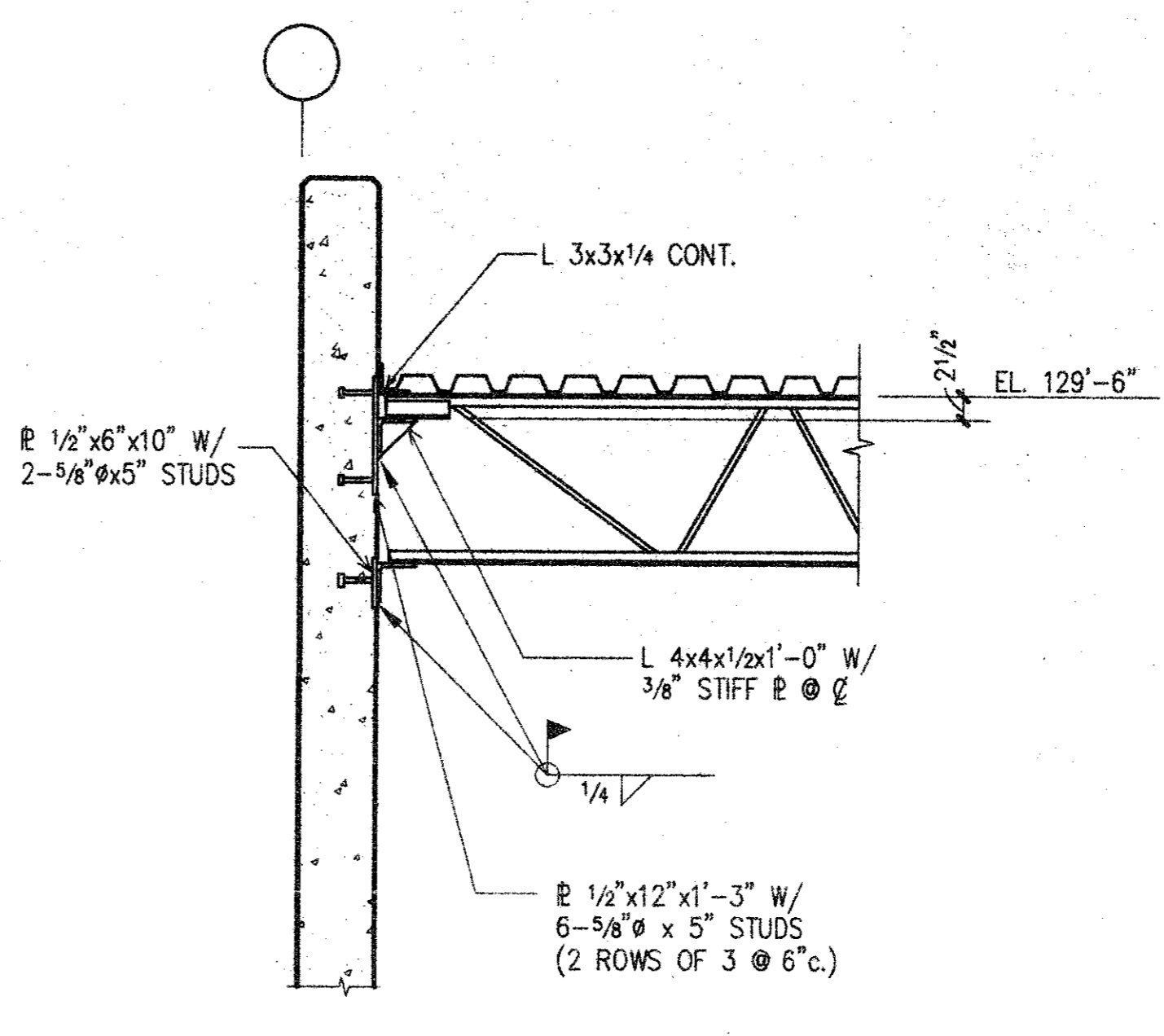
**06**



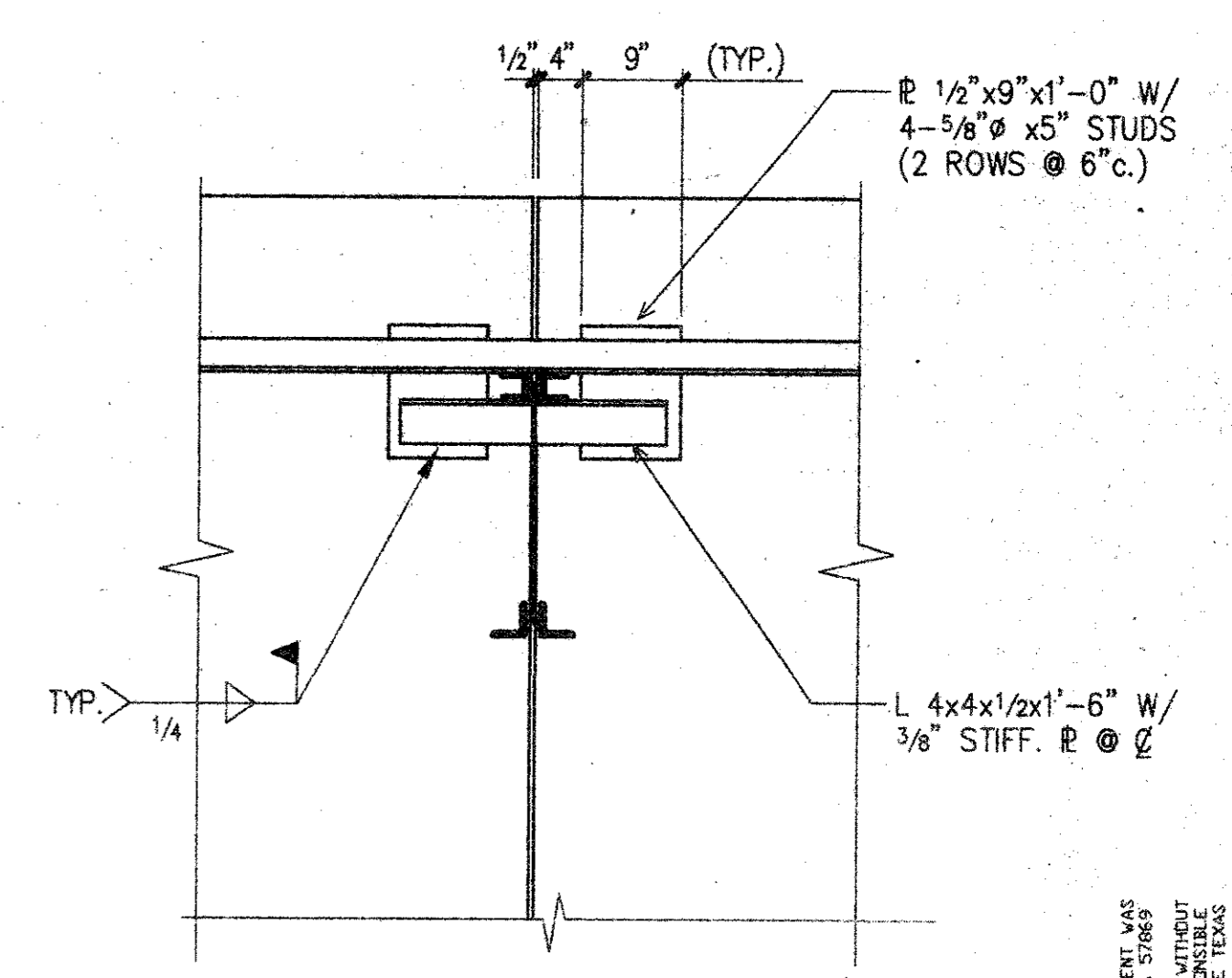
**07**



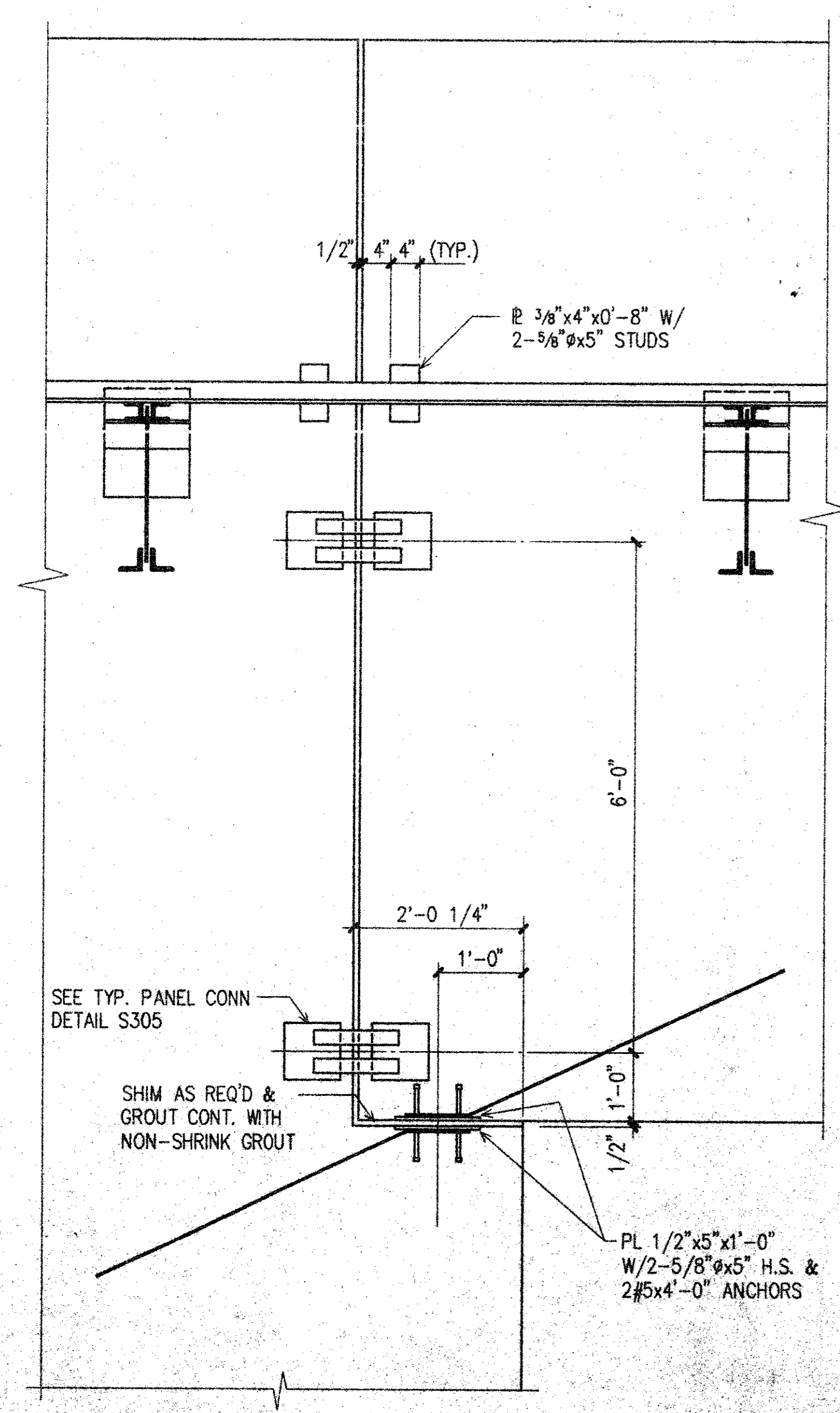
**08**



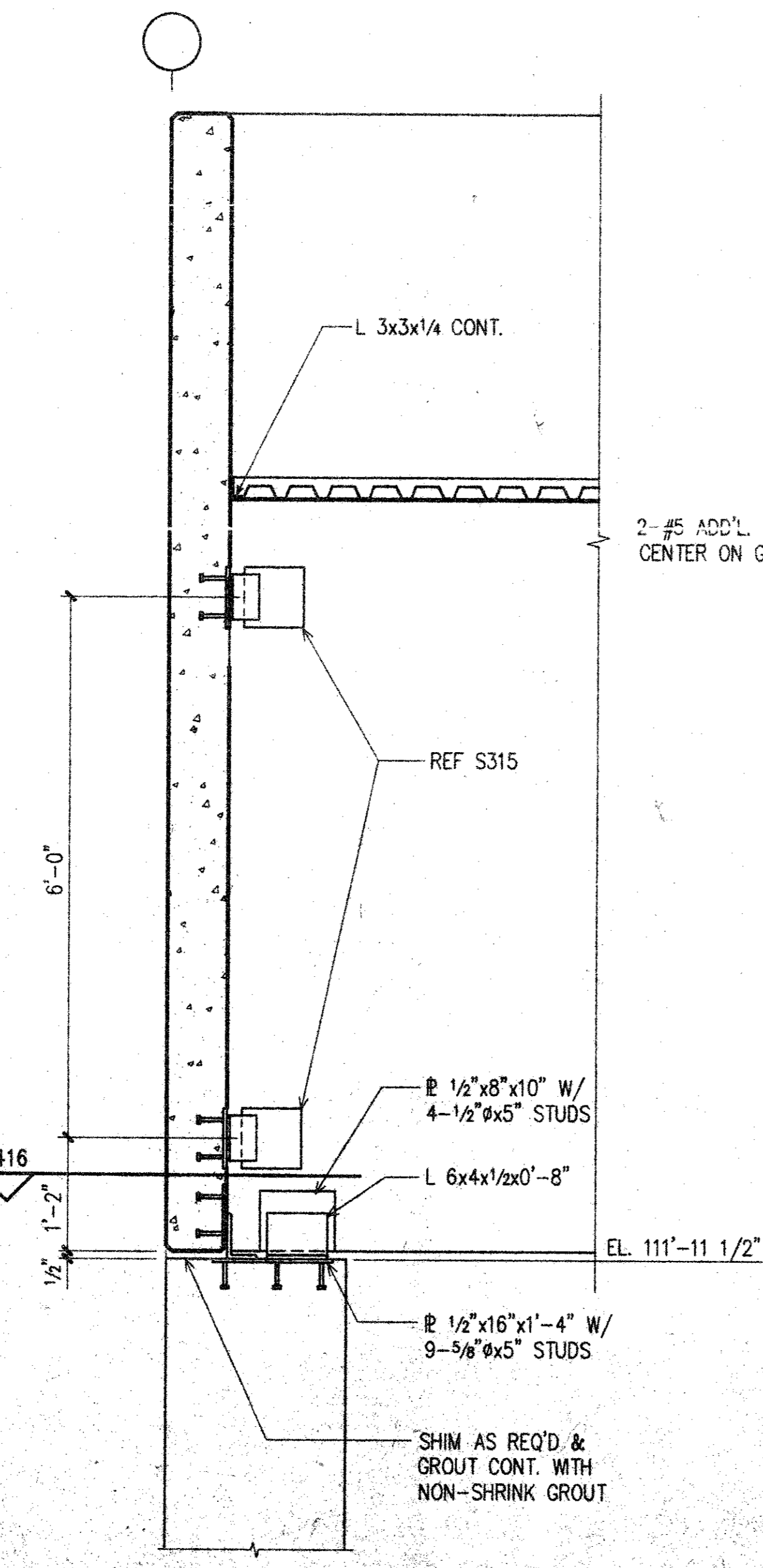
**09**



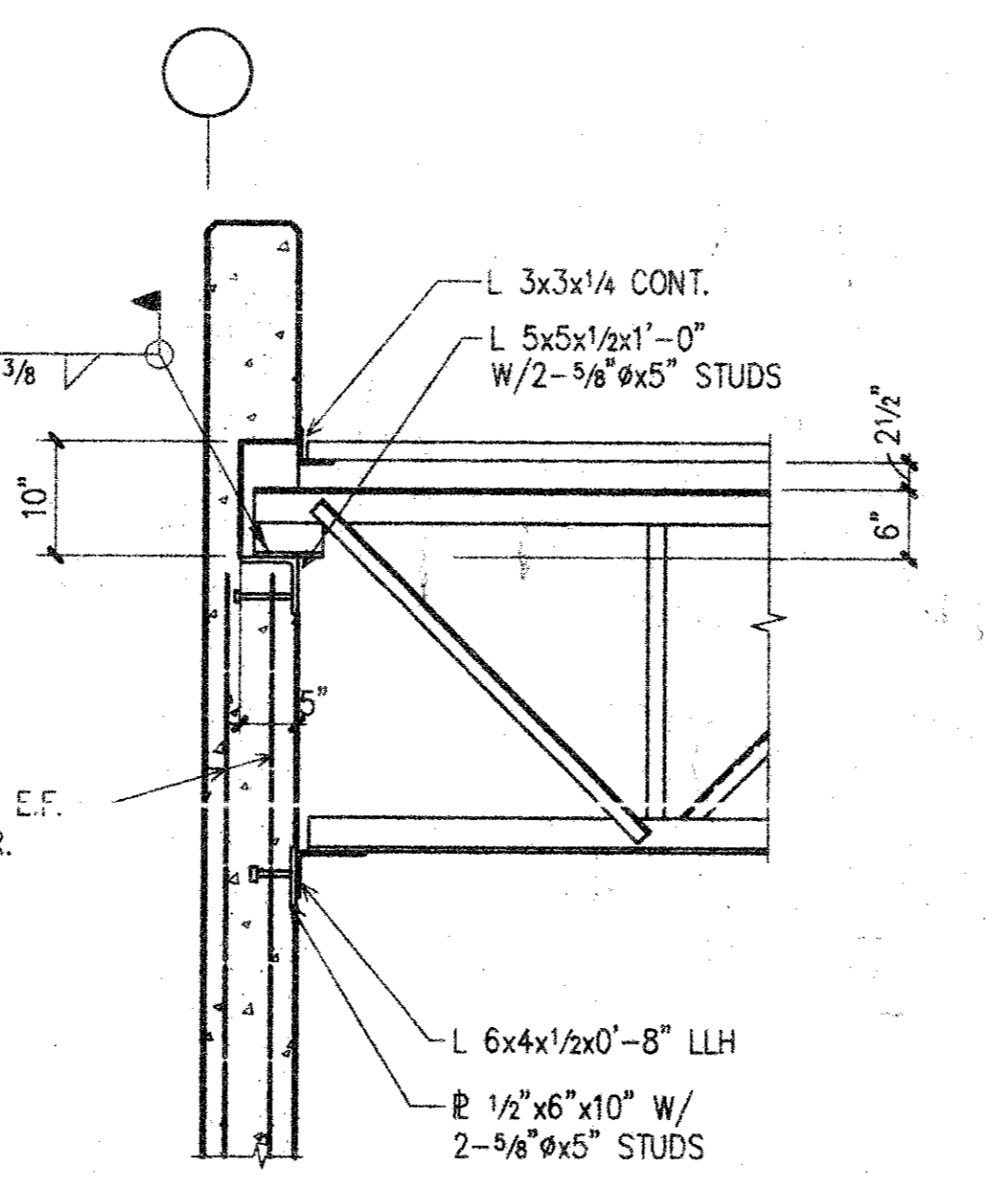
**10**



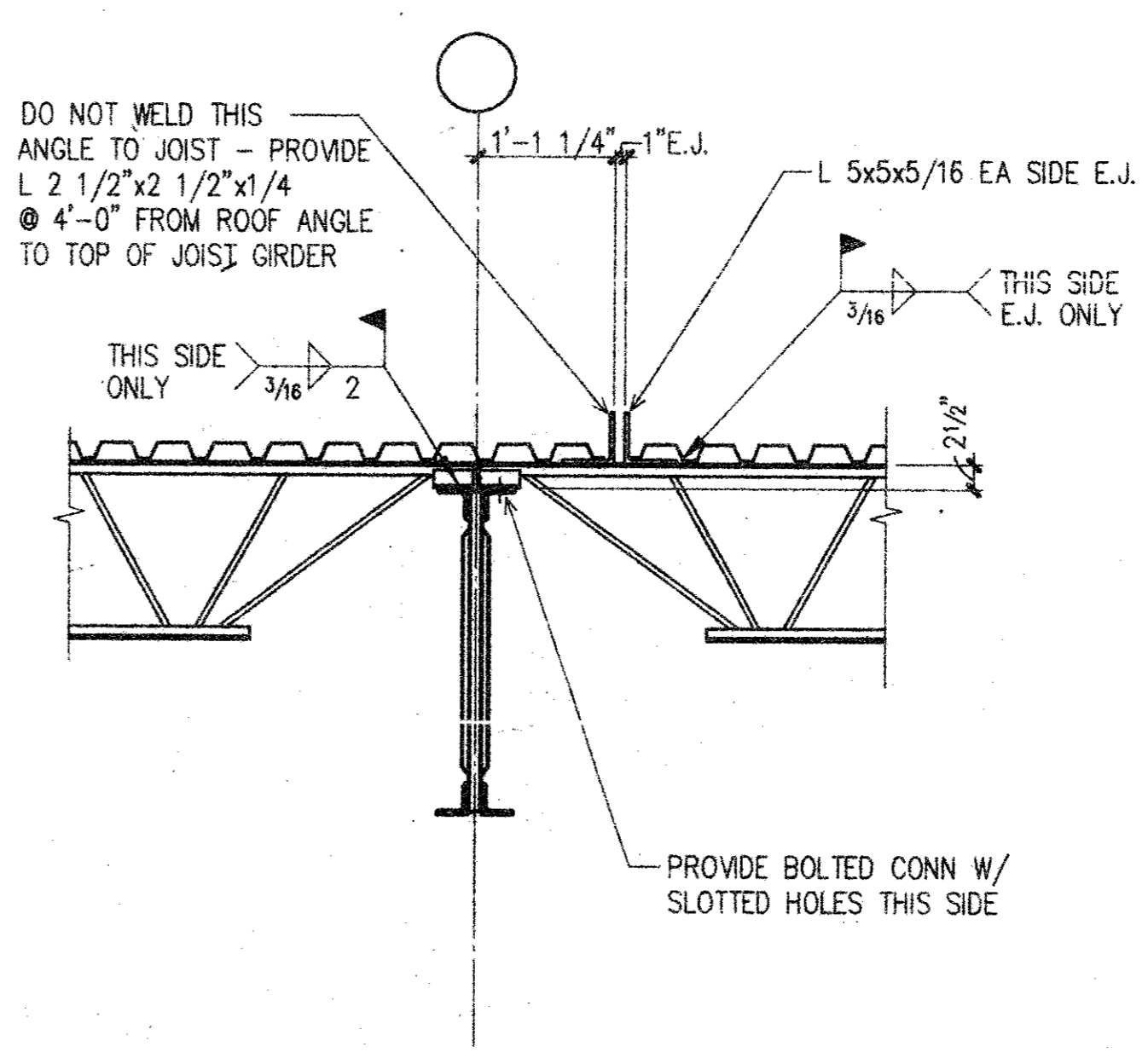
**11**



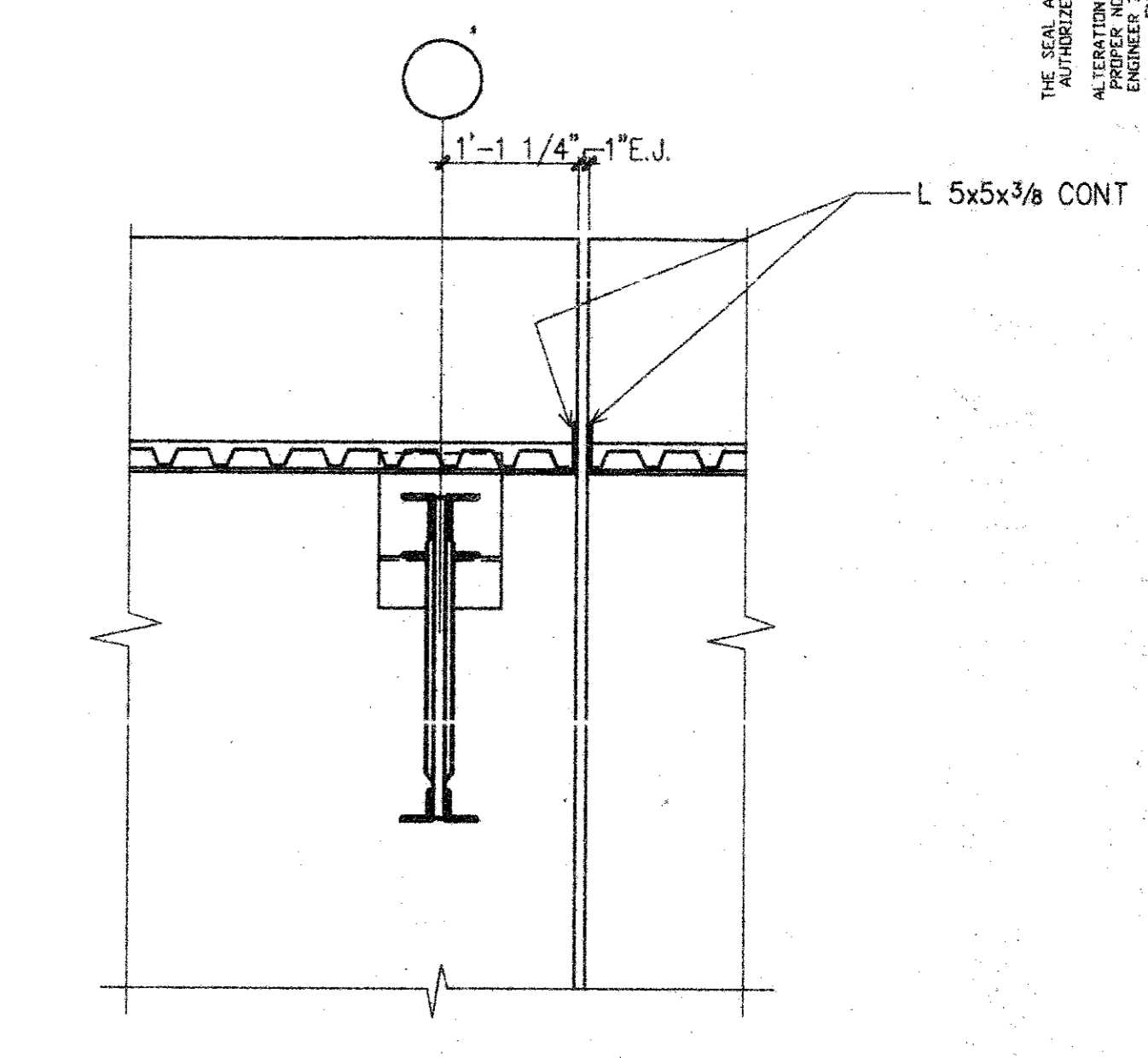
**12**



**13**



**14**



**15**

**11**

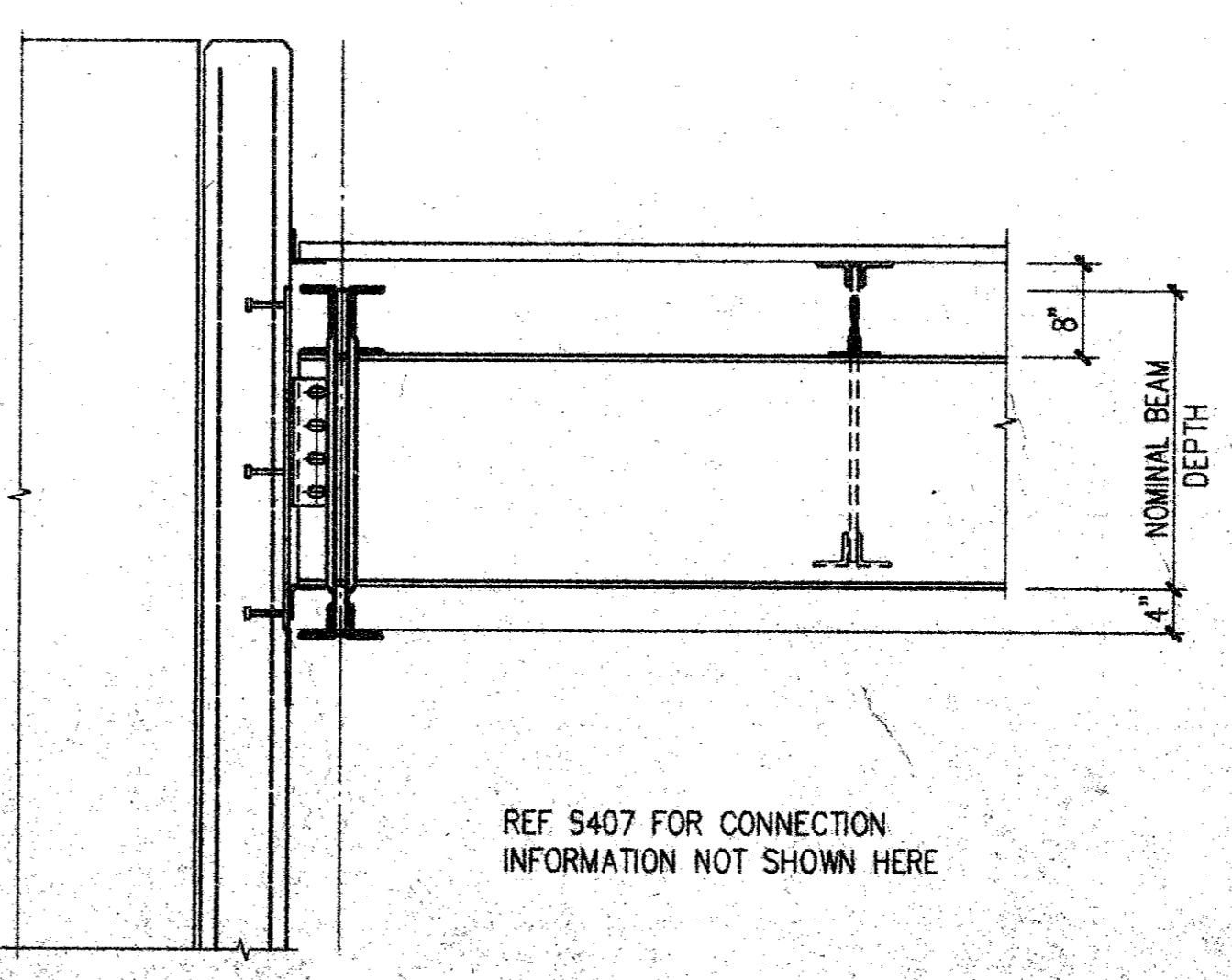
**12**

**13**

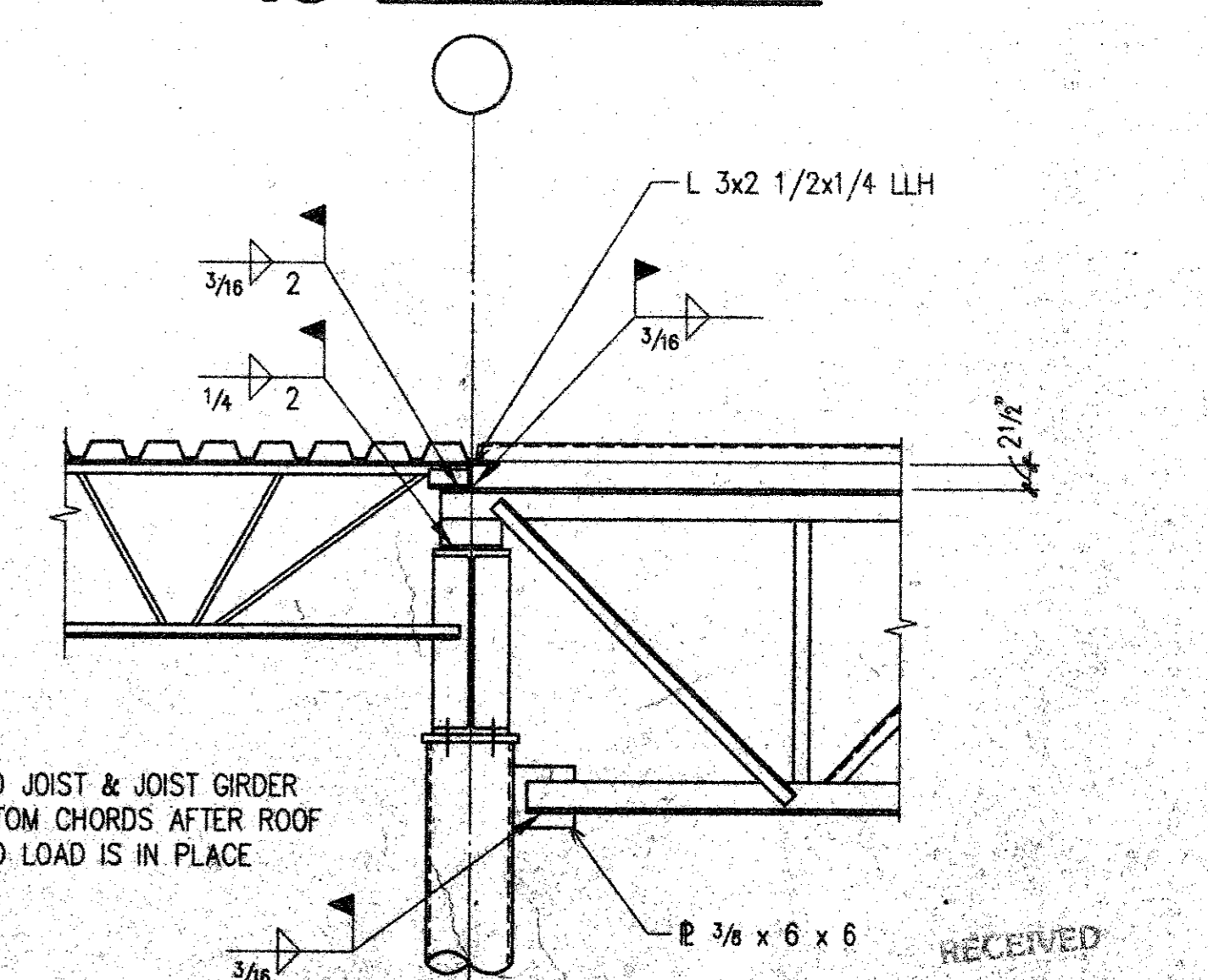
**14**

**15**

**AS - BUILT DRAWING**  
DATE: 8-23-01  
T.S. ORENDAIN ASSOC., INC.  
Architecture • Planning • Structural Design  
16835 Addison Road, Suite 101  
Addison, Texas 75001 972-250-0119



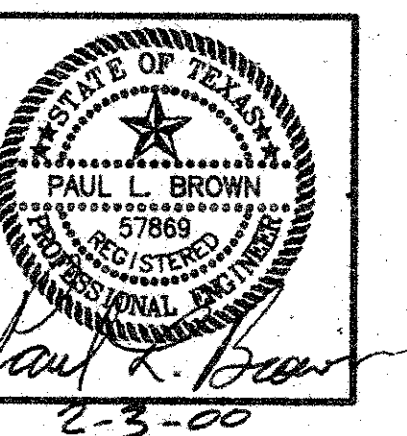
**17**



**18**

**AMO**  
16835 ADDISON ROAD  
SUITE 101  
ADDISON, TEXAS 75001  
TEL: 972-250-0119  
FAX: 972-250-3157

**OFFICE WAREHOUSE PHASE I**  
16835 ADDISON ROAD  
ADDISON, TEXAS



**to**  
T.S. Orendain Associates Inc.  
Architecture • Planning  
16835 Addison Rd.  
Suite 101  
Addison, Texas 75248  
972-250-0119  
PAUL L. BROWN, P.E.  
STRUCTURAL ENGINEER  
1219 ABRAMS, SUITE 128  
RICHARDSON, TEXAS 75081  
(972) 437-5551  
JOB: 8396 DATE: 9-29-97  
DRAWN: JPB CHECKED: PB

Date	Issued For / Description
9-29-97	FOR BUILDING PERMIT
2-3-00	ISSUED FOR CONSTRUCTION

**ROOF SECTIONS & DETAILS**

**S4**

RECEIVED  
FEB 08 2000  
T.S. ORENDAIN ASSOC. INC.