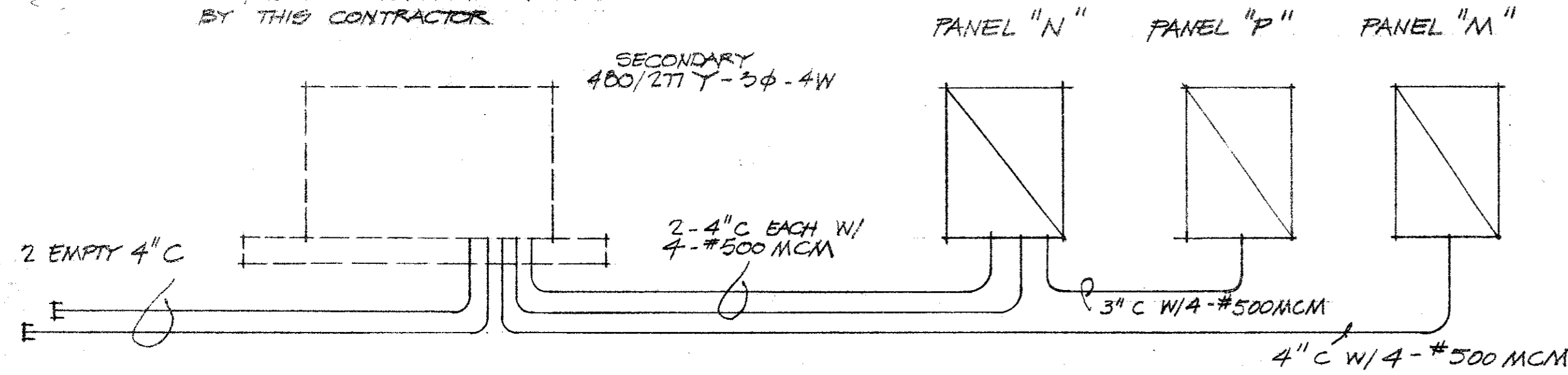


PRIMARY & TRANSFORMER BY
 TP & L PAID FOR AND ARRANGED
 BY THIS CONTRACTOR



WIRING DISTRIBUTION DIAGRAM NO SCALE

NOTE: ALL WIRE SIZED ON THHN COPPER

PANEL SCHEDULE

PANEL "M" - 725 A MAIN BREAKER - 277/480 - 3φ - 4W
 NEMA 3R SUITABLE AS SERVICE ENTRANCE UL LABEL 50,000 AMP

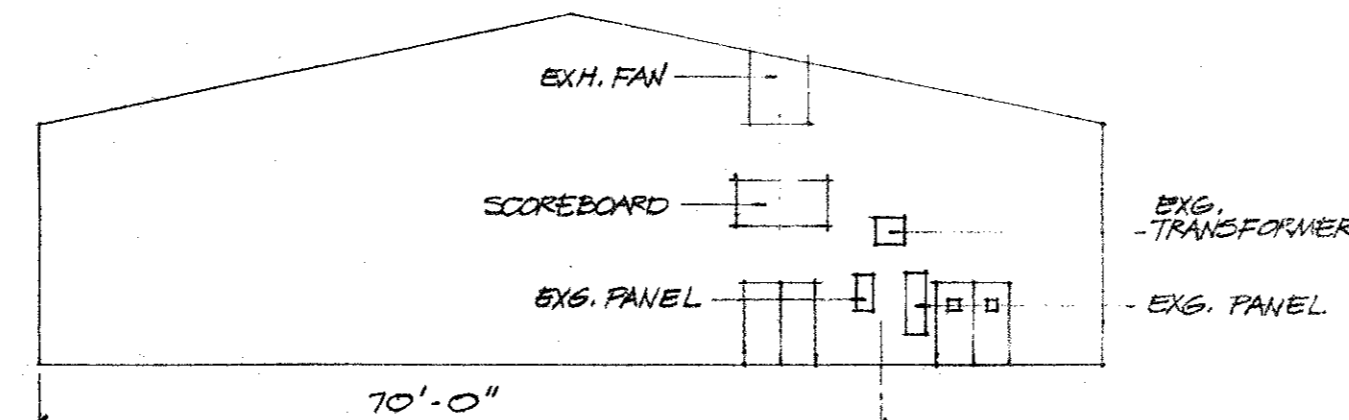
CT	SIZE	SERVICE	WIRE	CONDUIT
M-1	50A 3p	TENNIS CT. 1 & 2	4 #3	1/2"
M-2	50A 3p	TENNIS CT. 3 & 4	4 #4	1/4"
M-3	50A 3p	TENNIS CT. 5 & 6	4 #6	1"
M-4	50A 3p	SPARE		
M-5	70A 3p	PANEL TRPH (FUTURE TENNIS PAVILION)	4 #4	1/4"
M-6	30A 3p	POLE K & K	4 #6	1"
M-7	30A 3p	POLE L	4 #8	1"
M-8	30A 3p	POLE LL	4 #6	1"
M-9	50A 3p	POLE M	4 #6	1"
M-10	50A 3p	POLE MM	4 #4	1/4"
M-11	30A 1p	SECURITY LIGHTS	2 #8	3/4"
M-12	20A 1p	SPARE SPACE		

PANEL "N" - 600 AMP MAIN BREAKER - 277/480 - 3φ - 4W
 NEMA 3R SUITABLE FOR SERVICE ENTRANCE UL LABEL 50,000 AMP INTERRUPTION

N-1,3,5	70A 1p	POLE NN	4 #1/0	2"
N-2,4,6	70A 1p	POLE N	4 #1/0	2"
N-7,9,11	70A 1p	POLE N	4 #1/0	2"
N-8,10,12	70A 1p	POLE N	4 #1/0	2"
N-13,15,17	400A 3p	FIELD HOUSE	4 #500MCM	3"
N-14,16,18	150A 3p	WAREHOUSE	4 #1/0	2"
N-19 THRU 20	20A 1p	SPARE SPACE		

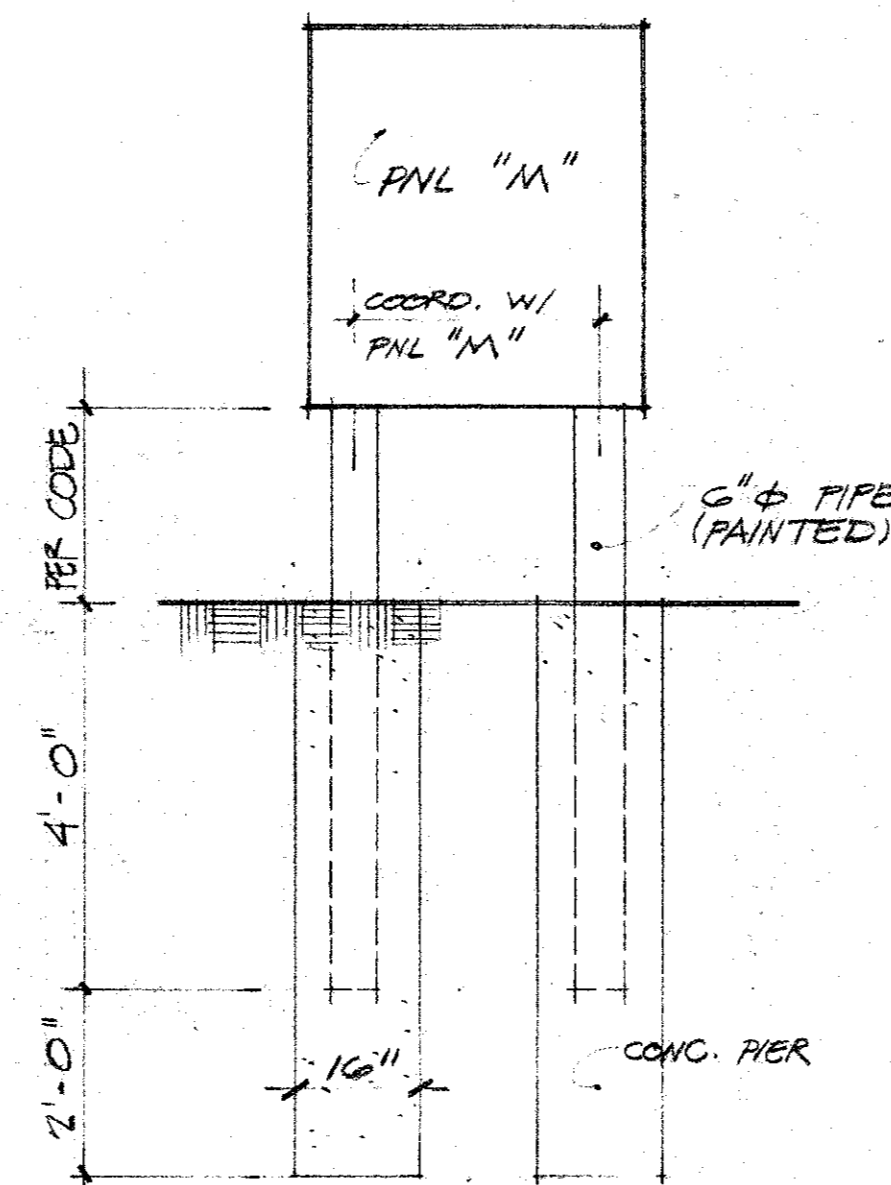
PANEL "P" - 400 AMP MLO 277/480 - 3φ - 4W
 UL RATED FOR SERVICE ENTRANCE

P-1	200A/3p	EXIST. FIELDHOUSE PANELS	4 #3/0	2"
P-2,3,4	100A/3p	SPARE SPACES		



LOCATION of PANEL "P" IN EXIST. FIELDHOUSE
 SCALE: 1/16" = 1'-0"

COORD. EXACT LOC. OF PNL "P" ON NORTH WALL OF FIELDHOUSE WITH OWNER.



ELEVATION AT PNL "M"
 SCALE 1/2" = 1'-0"

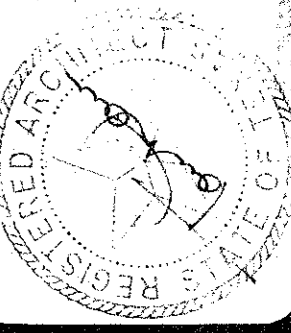
LIGHTING FIXTURE SCHEDULE (CONT'D)

SYMBOLS	WATTS	LAMP	MANUFACTURER & CATALOG NUMBER
F	3600	3-M-1000/BU-HDR	HUBBELL RTSPOBT1-035 M30 POLE WITH TCAR 3 ARM AND THREE (3) SLH 1000 H - 15B C/4090 FIXTURES 277 VOLT - SET POLE ON REINFORCED CONCRETE PIER
FF	4060	3-M-1000/BU-HDR 1-LU-400	SAME AS F EXCEPT ADD TCB1 BRACKET & MVM0400S 1GB/4024 C - 277 VOLT - 35' AFG PROVIDE HANDHOLD FOR SPEAKER INSTALLATION.
G	7200	6-M-1000/BU-HDR	HUBBELL RTS PO 9 NI - 035 - M30 POLE WITH TCA - 2R3 ARM AND SIX (6) SLH 1000 H - 15B C/4090 FIXTURES SET POLE ON REINFORCED CONCRETE PIER. PROVIDE HANDHOLD FOR SPEAKER INSTALLATION AS REQ'D (1 POLE)
K	5400	3-M-1500/BU-HDR	VALMONT SP50-01-H1-B6-PRIME - STEPS 15" O.C. TO START 20'-0" ABOVE BASE - SET POLE ON REINFORCED CONCRETE 1500 H - 15B C/4090 - 277 VOLT.
L	12600	7-M-1500/BU-HDR	VALMONT SP50-01-B12-B6-PRIME - STEPS 15" O.C. TO START 20'-0" ABOVE BASE. SET POLE ON REINFORCED CONCRETE PIER. FIXTURES - FOUR (4) SLH 1500 H - 14B C/4090 AND THREE (3) SLH 1500 H - 15B C/4090 - 277 VOLT.
LL	13060	7-M-1500/BU-HDR 1-LU-400	SAME AS L EXCEPT ADD (2) TCB1 BRACKET & MVM 0400 S 1GB/4024 C - 277 VOLT. - MOUNT 35' AFG.
M	18000	10-M-1500/BU-HDR	VALMONT SP60-02-R12-B6-PRIME STEPS 15" O.C. TO START 20'-0" ABOVE BASE - SET POLE ON REINFORCED CONCRETE PIER - FIXTURES - SIX (6) SLH 1500 H - 14B C/4090 AND FOUR (4) SLH 1500 H - 15B C/4090 - 277 VOLT
MM	18000	10-M-1500/BU-HDR 1-LU-400	SAME AS M EXCEPT ADD (2) TCB1 BRACKET & MVM 0400 S 1GB/4024 C - 277 VOLT - MOUNT 35' AFG
N	32400	18-M-1500/BU-HDR	EXISTING POLE - REWIRE FROM BASE OF POLE TO EXISTING PANEL AT TOP OF POLE WITH 1/0. REMOVE EXISTING FIXTURES & INSTALL SIXTEEN (16) SLH 1500 H 13B C/4090 AND TWO (2) SLH 1500 H - 14B C/4090 277 VOLT TIE INTO EXIST. CIRCUITS AS DIRECTED. REINFORCE BRACKETS AS DIRECTED.
NN	32400	18-M-1500/BU-HDR	SAME AS N EXCEPT POLE DOES NOT REQUIRE REWIRING

NOTES

- SEE ARCH. PLANS FOR REINFORCED CONG. PIER DETAIL & SIZES.
- SEE SPECIFICATION FOR POLE & FIXTURE DETAILS.

DATE 11-20-88
 REVISION



TOM F. DANCE & ASSOCIATES, INC.
 ARCHITECTURE
 PLANNING
 8950 N. CENTRAL EXP. DALLAS, TEXAS 75231 214-691-4404

RECREATIONAL IMPROVEMENTS FOR
TRINITY PARK
 TEXAS
 ADDISON.

SHEET NO.

6
 OF 6