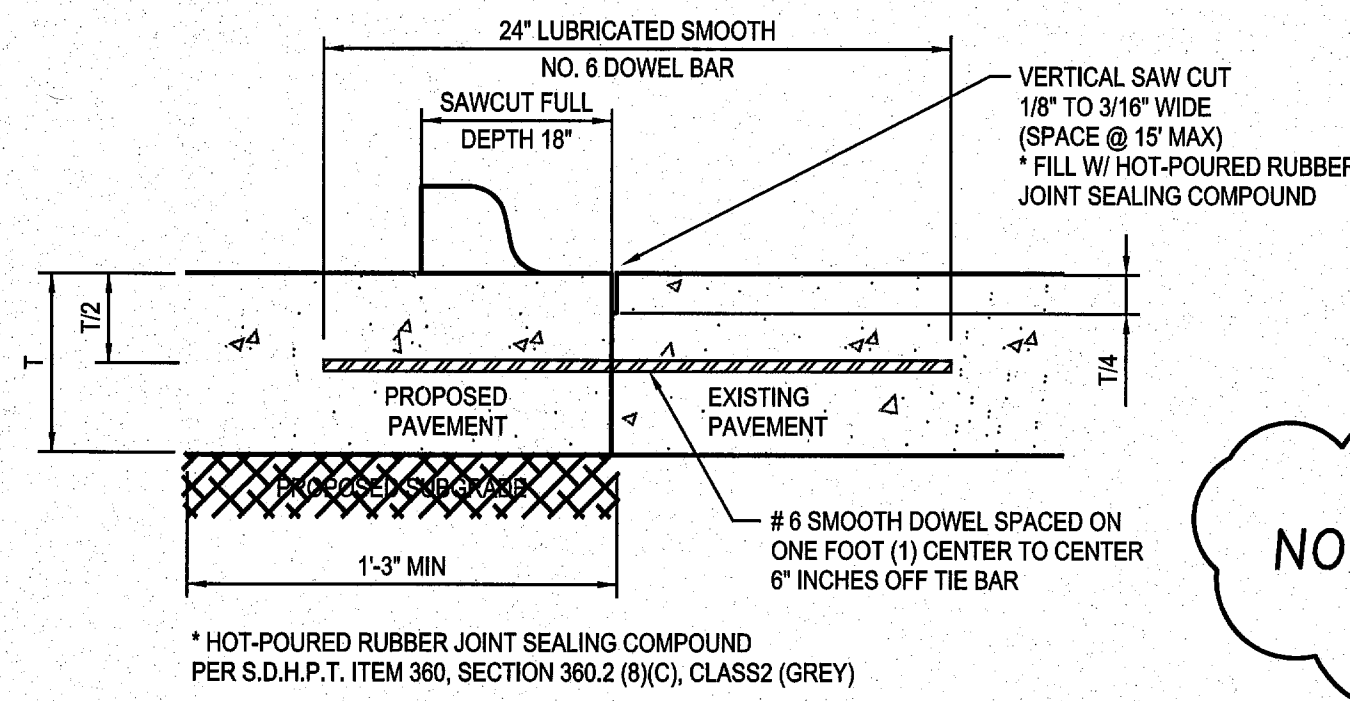
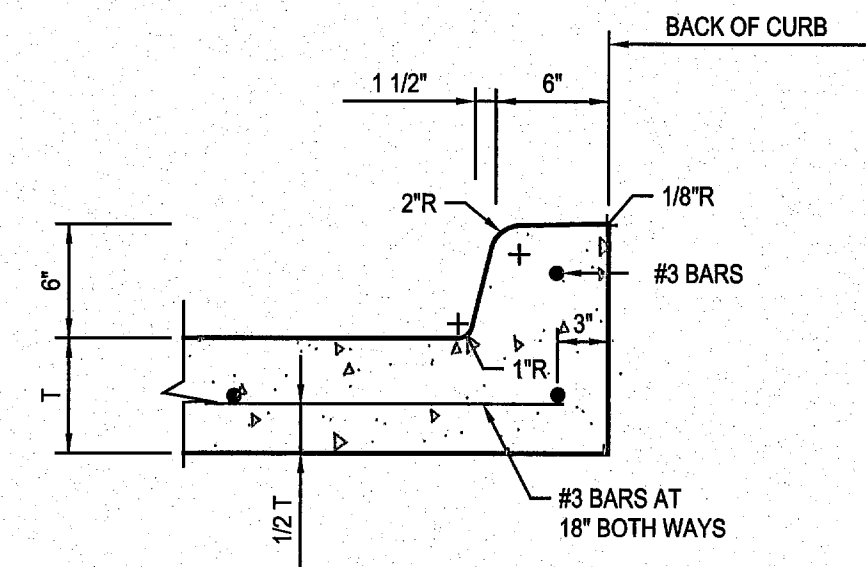
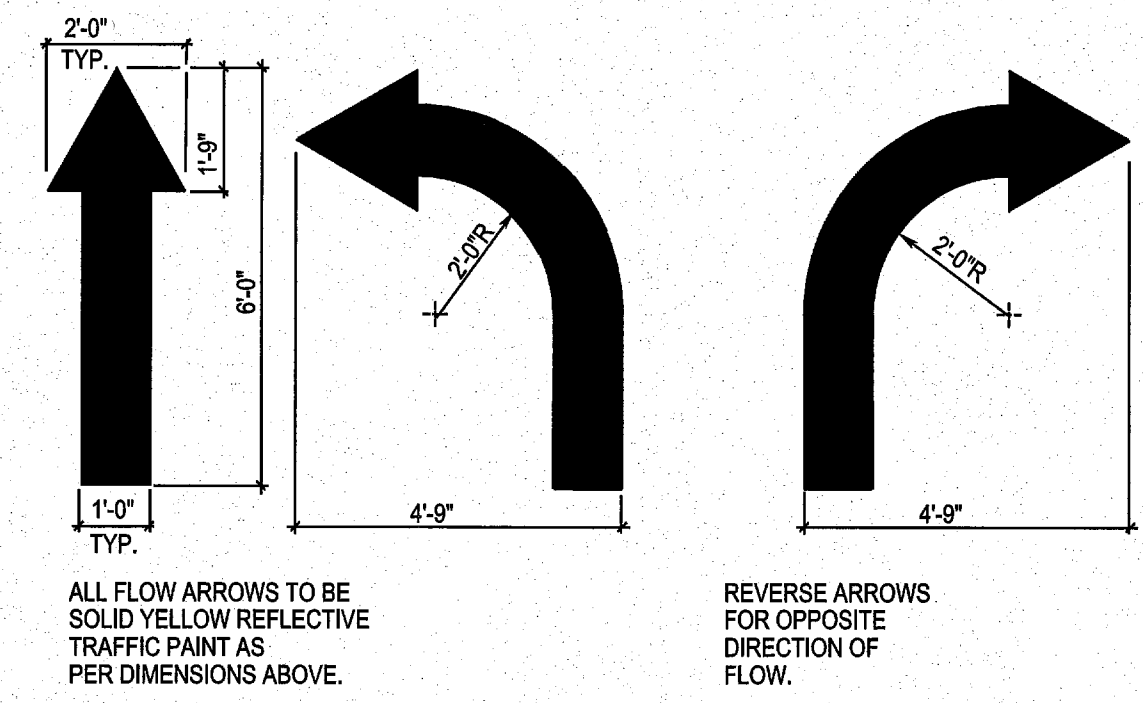
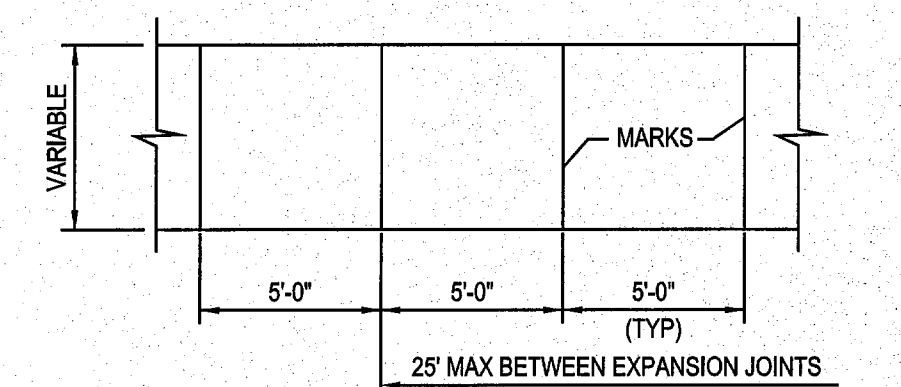
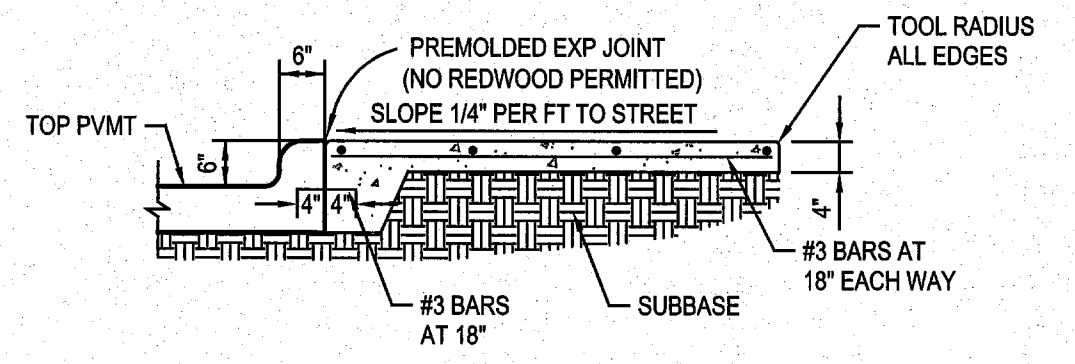


NOTE: REFERENCE ATTACHED TX-DOT RAMP DETAILS FOR ALL PEDESTRIAN (BFR) RAMPS.



NOTE: NO SAND WILL BE PERMITTED UNDER PAVEMENT.



**CAUTION!!!**  
CONTACT:  
DIG TESS 1-800-344-8377  
ATMOS 1-800-344-8377  
AT&T 1-800-344-8377  
SOUTHWESTERN BELL 1-800-344-8377  
TOWN OF ADDISON 972-450-2871  
AT LEAST 48 HOURS PRIOR TO CONSTRUCTION

**BENCHMARK:**  
TOWN OF ADDISON BENCHMARK 6, BRASS DISC SETON TOP OF EXISTING INLET, LOCATED ON THE EAST SIDE OF ADDISON ROAD, DIRECTLY EAST OF THE LOWER SCHOOL PLAYGROUNDS.  
ELEV. = 639.88'

**GLENN ENGINEERING**  
PHONE 972-717-5151  
FAX 972-717-2176  
105 DECKER COURT, SUITE 910  
IRVING, TEXAS 75062

TRINITY CHRISTIAN ACADEMY  
DRAINAGE & DRIVE  
IMPROVEMENTS NEAR  
THE UPPER SCHOOL

PAVING &  
RETAINING WALL  
DETAILS

THE SEAL APPEARING ON THIS DOCUMENT WAS AUTHORIZED BY THOMAS J. CASSEY IV, P.E. 88213, ON JUNE 23, 2010

Issue Dates:  
Review: June 23, 2010

Construction:  
Scale: AS NOTED  
Drawn By: TJC  
Checked By: CMA  
Project No.: 10 - 599.150

Sheet 13  
of 15

**PAVING & RETAINING WALL DETAILS**  
SCALE: AS SHOWN