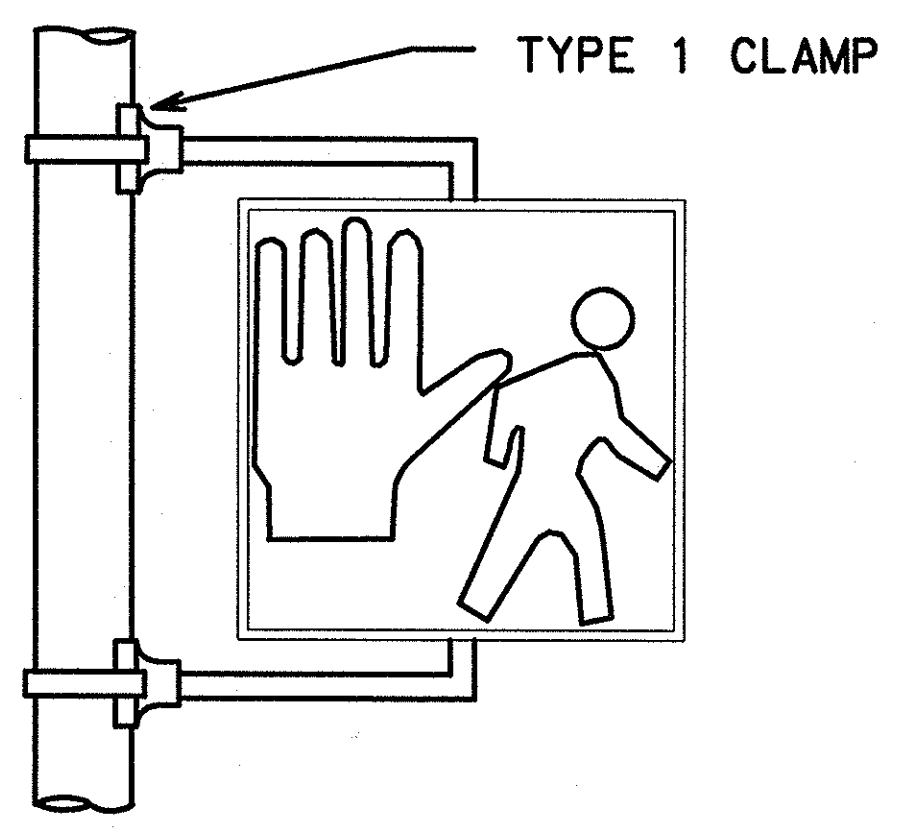
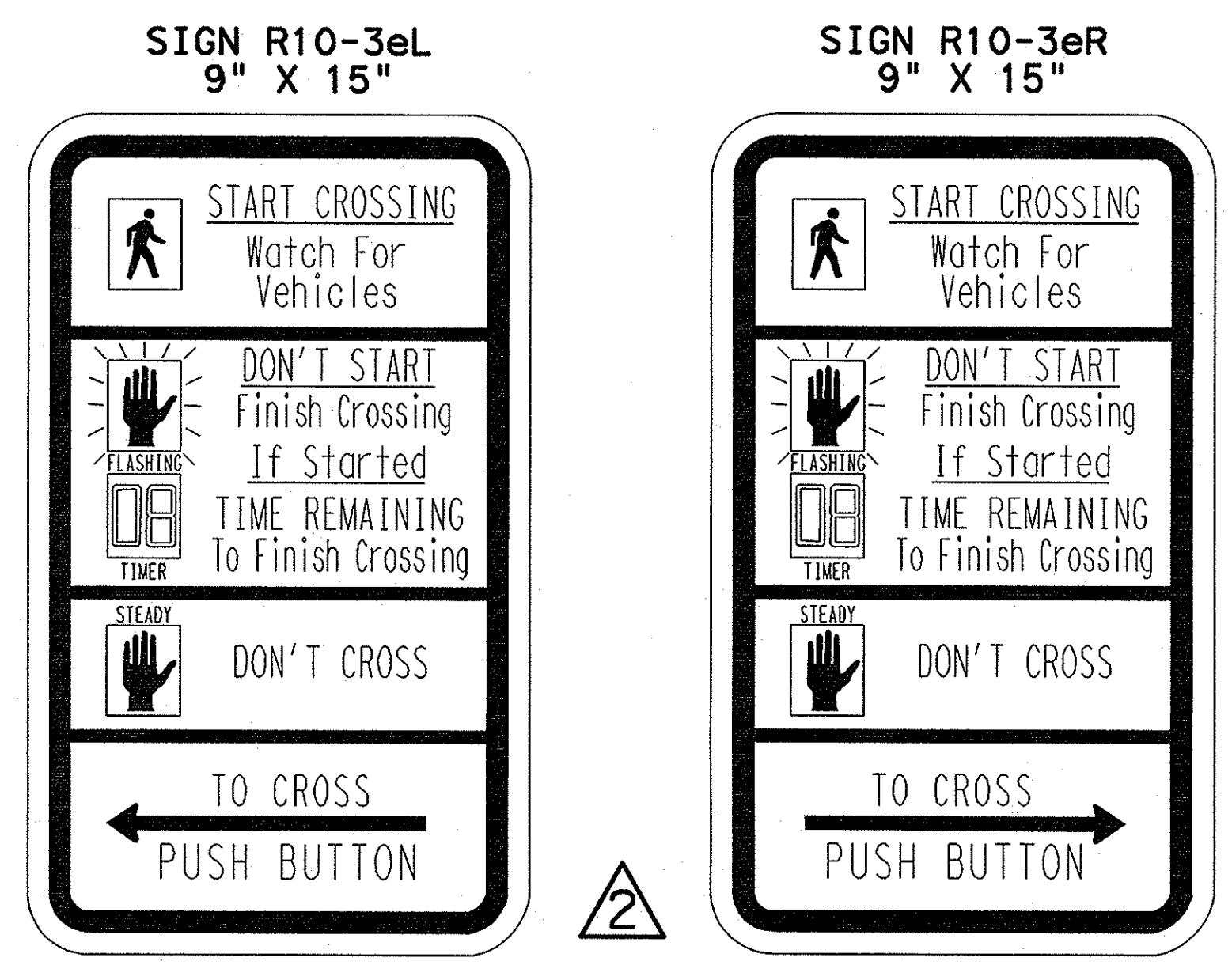


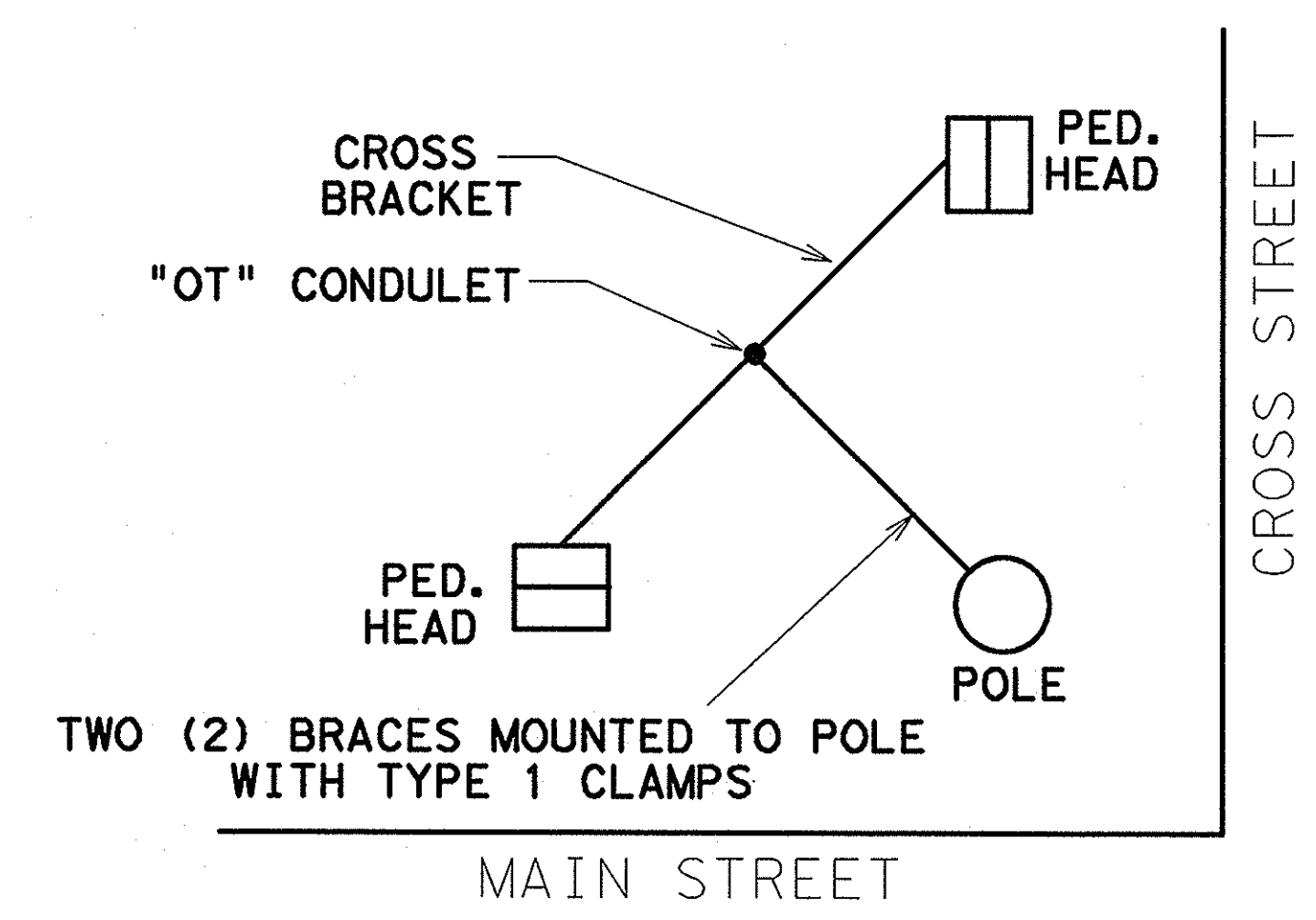
PEDESTRIAN PUSHBUTTON SIGN DETAILS



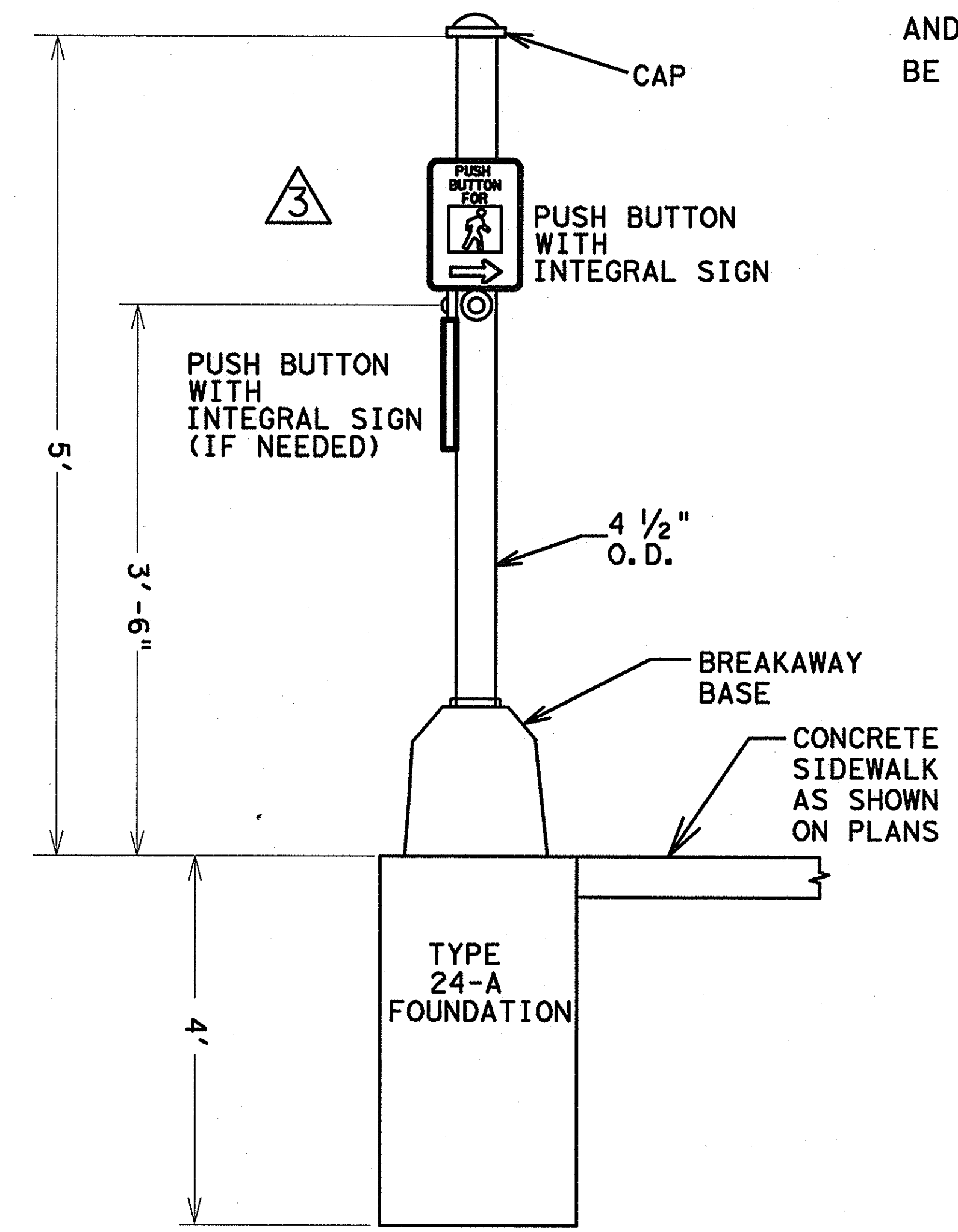
PEDESTRIAN SIGNAL HEAD MOUNTING FOR ONE PEDESTRIAN SIGNAL HEAD 152A



COUNTDOWN PEDESTRIAN PUSHBUTTON SIGN DETAILS



PEDESTRIAN SIGNAL HEAD MOUNTING FOR TWO PEDESTRIAN SIGNAL HEADS 143C

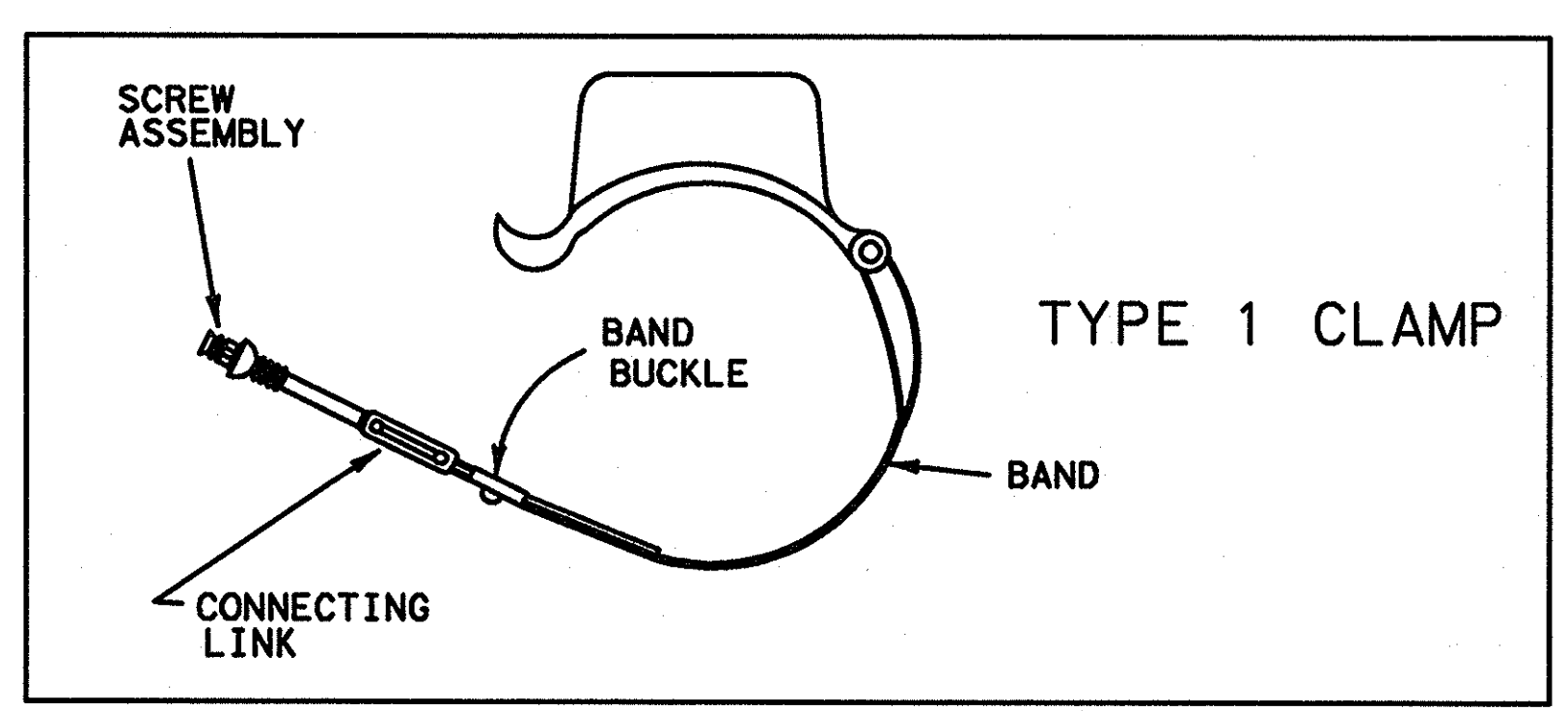


PEDESTRIAN PUSH BUTTON POLE

NOTE:
 THE POLES ON THIS DRAWING ARE SHOWN AS AN EXAMPLE ONLY. POLES OF SIMILAR DESIGN FOR ANY CROSS SECTION WHICH MEET THE SPECIFICATIONS AND REQUIREMENTS SHOWN ON THESE DRAWINGS AND ARE APPROVED BY THE ENGINEER WILL BE DEEMED ACCEPTABLE.

NOTE: CLAM SHELL MOUNTING HARDWARE MAY BE USED INSTEAD OF MOUNTING HARDWARE SHOWN ABOVE, AS APPROVED BY THE ENGINEER. ICC P/N 4805 OR McCAIN QUICKMOUNT OR APPROVED EQUAL.

- NOTES:
1. PEDESTRIAN SIGNAL HEADS SHALL BE MOUNTED WITH TYPE 1 CLAMPS AND APPROPRIATE TUBING.
 2. ALL PEDESTRIAN SIGNAL HEADS SHALL BE INSTALLED ON THE AWAY-FROM-TRAFFIC SIDE OF THE PEDESTAL OR MAST ARM POLE.
 3. ALL WIRING FOR PEDESTRIAN SIGNALS SHALL BE TOTALLY ENCLOSED WITHIN THE SIGNAL MOUNTING HARDWARE.
 4. ALL PEDESTRIAN SIGNAL HEADS AND PUSH BUTTON SIGNS SHALL DISPLAY THE SYMBOLIZED MESSAGES SHOWN ABOVE.



- 1 ALTERNATIVE MOUNTING METHOD revised 12-92
- 2 ALTERNATIVE PEDESTRIAN SIGNAL HEAD AND SIGNING revised 10-08
- 3 PEDESTRIAN PUSH BUTTON POLE revised 01-11

RECORD DRAWINGS (July 2013)
 INFORMATION PROVIDED BY:
 Rogers-O'Brien Construction Company

PEDESTRIAN SIGNAL HEAD IDENTIFICATION

DALLAS DISTRICT STANDARD

FED. RD. DIV. NO.	PROJECT NO.	SHEET NO.
6	(SEE TITLE SHEET)	
STATE	STATE DIST.	COUNTY
TEXAS	18	
CONT.	SECT.	JOB HIGHWAY NO.